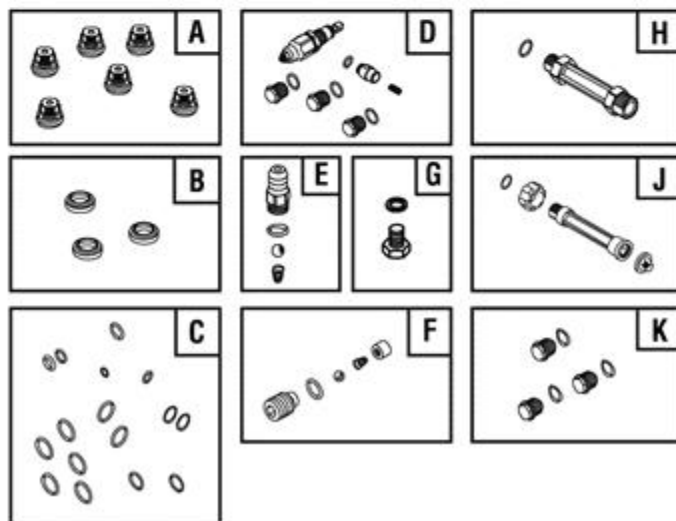
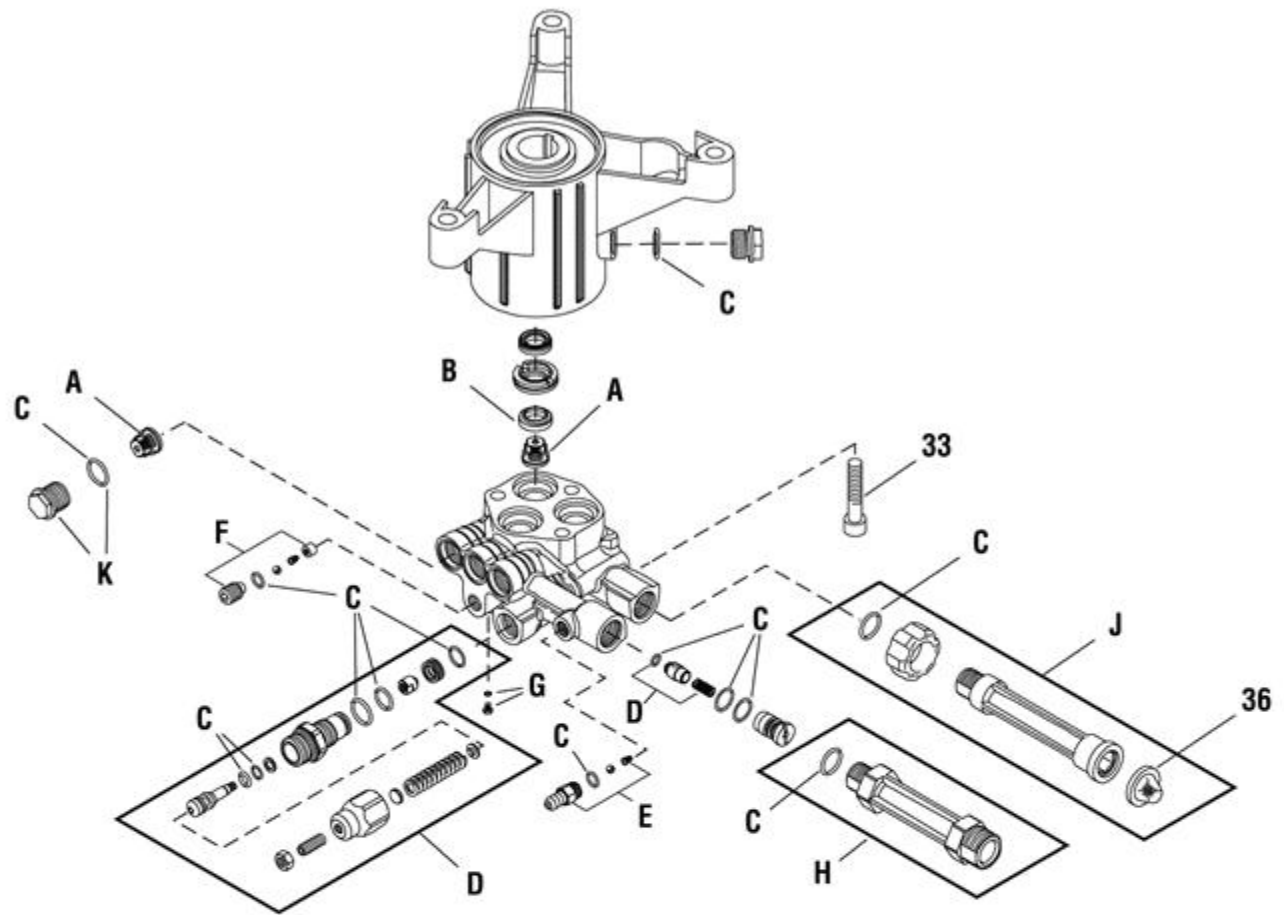


Ref #	Part #	Description	Qty	Context Note	Foot Note
1	202791GS	BASE			
2	Y199110GS	HANDLE			
3	203075GS	BILLBOARD			
--	B1797GS	CLIP			
4	B2203GS	KIT, Hardware, Handle			
5	202274GS	PUMP			
6	192310GS	MOUNT, Vibration			
7	203526GS	KIT, Hardware, Pump			
8	200595GS	EXTENSION, QC			
9	202017GS	HOSE			
10	204627GS	GUN			
11	202181GS	KIT, Nozzle			
--	201580RGS	NOZZLE, QC, Yellow			
--	201580XGS	NOZZLE, QC, Orange			
--	201580AEGS	NOZZLE, QC, Red			
--	198841GS	NOZZLE, QC, Black			
12	202483GS	KIT, Wheel			
--	203872GS	AXLE			
--	200520GS	HUBCAP			
--	192050GS	E-RING			
900	-----	** ENGINE			** Contact Engine Manufacturer for parts and service.
--	205755GS	MANUAL, Operator's		(Not Illustrated)	
--	BB3061BGS	OIL BOTTLE		(Not Illustrated)	
--	310975GS	HOSE, Chemical		(Not Illustrated)	
--	794693	LABEL, Warning		(Not Illustrated)	
--	793943	COVER, Static/Label Assy		(Not Illustrated)	
--	207028GS	DECAL, Engine Shroud		(Not Illustrated)	
--	194256GS	KIT, Tag Warning		(Not Illustrated)	
--	6039	PUMP SAVER		(Optional Accessory)	
--	6048	KIT, O-Ring Maintenance		(Optional Accessory)	



Ref #	Part #	Description	Qty	Context Note	Foot Note
33	200275GS	SCREW			
36	B2384GS	FILTER-GARDEN HOSE			
A	200344GS	* KIT-CHECK VALVE			* Service Kit includes all parts shown in box.
B	200345GS	* KIT-WATER SEAL			* Service Kit includes all parts shown in box.
C	200346GS	* KIT-O-RING			* Service Kit includes all parts shown in box.
D	315747GS	* KIT-UNLOADER			* Service Kit includes all parts shown in box.
E	192914GS	* KIT-CHEMICAL INJECTION			* Service Kit includes all parts shown in box.
F	200349GS	* KIT-EASY START			* Service Kit includes all parts shown in box.
G	200350GS	* SCREW-GRUB			* Service Kit includes all parts shown in box.
H	201497GS	* FITTING			* Service Kit includes all parts shown in box.
J	201496GS	* KIT-WATER INLET			* Service Kit includes all parts shown in box.
K	317056GS	* KIT-PLUG			* Service Kit includes all parts shown in box.
--	208673GS	VALVE-THERMO RELIEF		(Not Illustrated)	
--	6039	PUMP SAVER		(Optional Accessory)	
--	6033	OIL BOTTLE		(Optional Accessory)	