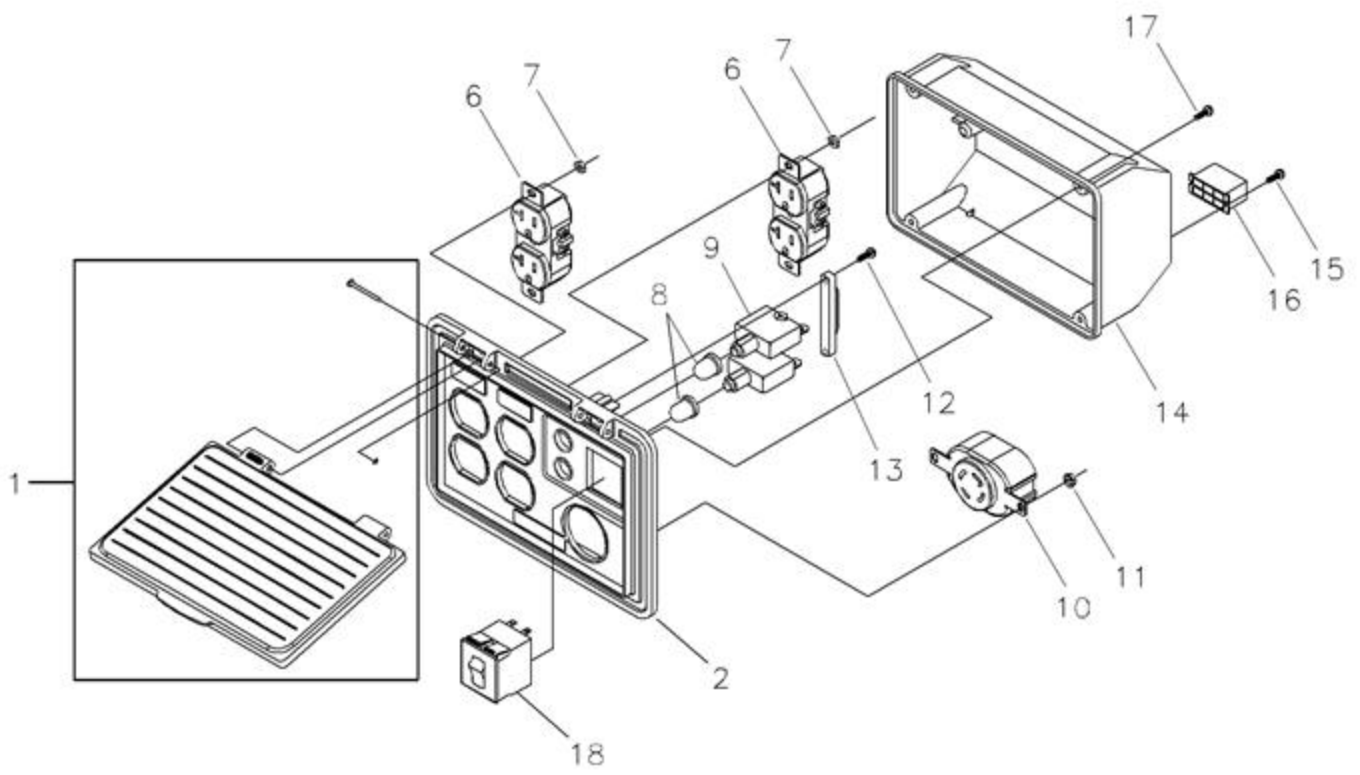
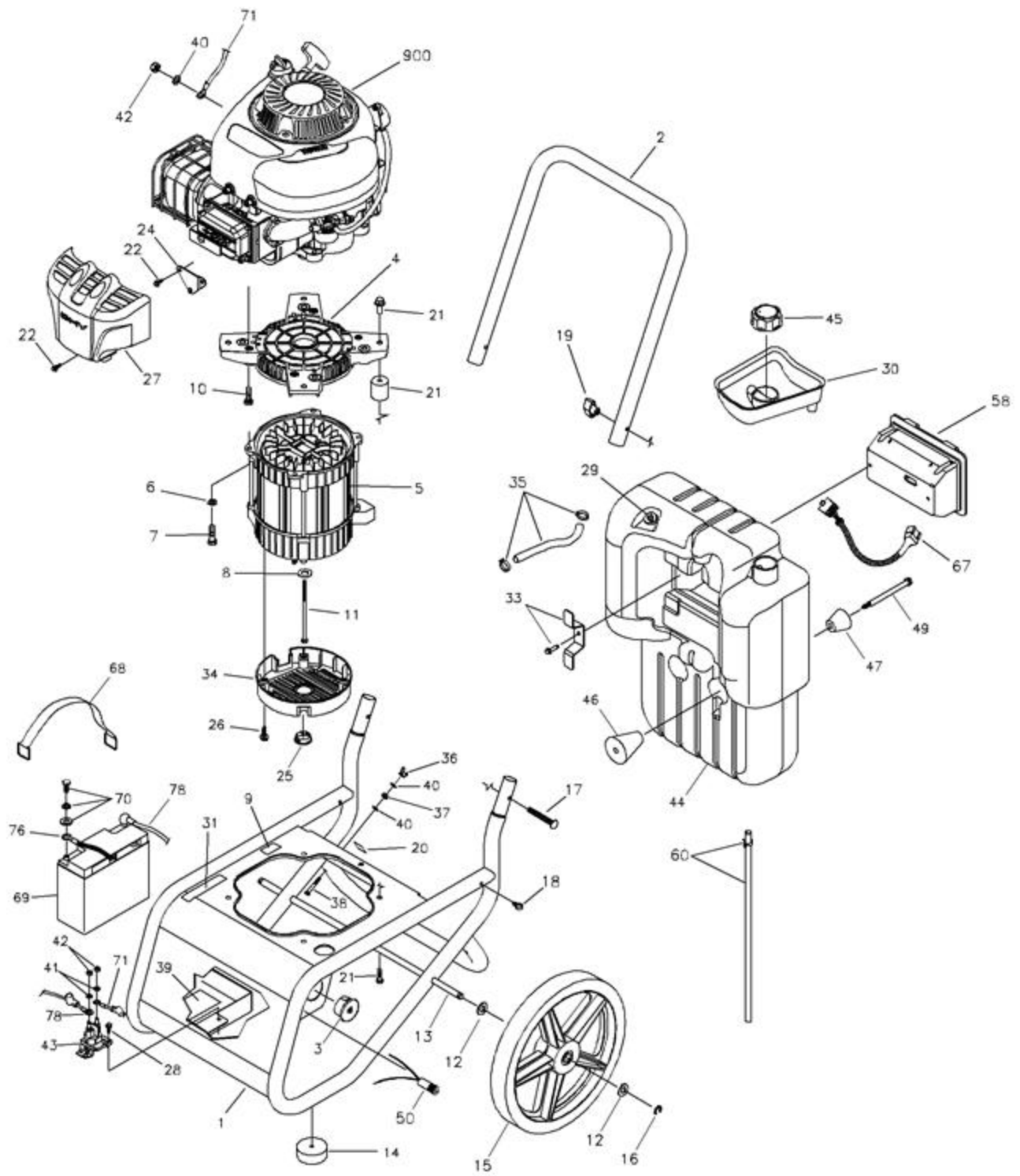


Ref #	Part #	Description	Qty	Context Note	Foot Note
1	186059GS	ADAPTER, Mounting,Alternator			
2	199859GS	ROTOR		(Includes Item 11)	
3	190079AGS	STATOR			
4	186060GS	RBC, with O-Ring (p/n 189197GS)			
5	86308HGS	HHCS, M6 - 1.0 x 140 SEMS			
6	91825GS	ASSY, Holder, Rectifier/Brush			
7	66849GS	TAPTITE, M5 - 0.8 x 16			
8	22694GS	RECEPTACLE, 6 pin			
9	81917GS	PIN, Roll, 4mm x 10			
10	193428AGS	ASSY,Wire, Ground			
11	65791GS	BEARING			



Ref #	Part #	Description	Qty	Context Note	Foot Note
1	195112GS	ASSY, Control Lid Panel			
2	192273EGS	PANEL, Control, Compact			
6	68759GS	OUTLET, 120V, 20A, Duplex			
7	-----	NUT, Palnut, Pushnut, 5/32		(Purchase locally)	
8	84198GS	CAP, Breaker, Circuit			
9	75207PGS	BREAKER, Circuit			
10	43437GS	OUTLET, 120/240V Locking, 30A			
11	-----	NUT, Palnut, Pushnut, 3/16		(Purchase locally)	
12	-----	PPHMS, 3.5 x 18		(Purchase locally)	
13	93857GS	BAR, Retaining			
14	192274GS	BOX, Rear Cover			
15	82308GS	SCREW,Tapping, STC 3 x 18			
16	22694GS	HOUSING, Receptacle			
17	192241GS	SCREW,Tapping, 3.5 x 14			
18	191479BGS	BREAKER, Circuit, 25A			



Ref #	Part #	Description	Qty	Context Note	Foot Note
1	J199622GS	KIT, Cradle			
2	J194925GS	HANDLE			
3	199507GS	SWITCH, Key			
4	191793GS	ADAPTER, Engine			
5	NSP	ASSY, Alternator		(see "Alternator")	
6	-----	WASHER, Lock, 5/16 - M8		(Purchase locally)	
7	-----	HHCS, 5/16-18 x 1		(Purchase locally)	
8	96796GS	WASHER, 8.4 x 22.2 x 3			
9	186649GS	DECAL, Oil Drain			
10	75246GS	TAPTITE, 3/8 - 16 x 1-1/4			
11	187365BGS	HHCS, 5/16-24 x 8.62			
12	-----	WASHER, 1/2		(Purchase locally)	
13	196914GS	AXLE			
14	192553GS	KIT, Vibration Mount Hardware		(2 sets)	
15	191908GS	WHEEL			
16	192050GS	E-RING			
17	31669GS	BOLT, Carriage, 1/4-20 x 1-3/4			
18	195733GS	MOUNT, Tiewrap			
19	194289GS	KNOB, Handle			
20	B4986GS	DECAL, Ground			
21	194727GS	KIT, Vibration Mount			
22	93343GS	SCREW, Hex Head Tapping			
24	198975GS	BRACKET, Mounting Head Guard			
25	191190GS	CAP, Bolt, Rotor			
26	74908GS	TAPTITE, M5 - 0.8 x 10			
27	199496GS	GUARD, Head			
28	B4300GS	HHS, Trilobular, 1/4 - 20 x 1/2			
29	196063GS	ASSY, Tube Lift			
30	192921GS	SHIELD, Fuel Fill			
31	196830GS	DECAL, Caution Exhaust			
32	193504GS	DECAL, Battery Instructions			
33	194721GS	KIT, Retaining Brckt with Hardware			
34	191029GS	COVER, RBC, Plastic			
35	791745	KIT, Fuel Line w/ Clamps (cut to fit)			
36	87680GS	NUT, M6 - 1.0 Wing			
37	-----	NUT, M6 - 1.0 Lock		(Purchase locally)	
38	-----	HHCS, M6-1.0 x 55		(Purchase locally)	

Ref #	Part #	Description	Qty	Context Note	Foot Note
39	198874GS	TAPE, Foam, Battery Tray			
40	-----	WASHER, Shakeproof, Ext. M6 - 1/4		(Purchase locally)	
41	-----	WASHER, Lock, 1/4 - M6		(Purchase locally)	
42		NUT, 1/4-20		(Purchase locally)	
43	691656	SOLENOID/BRACKET			
44	193345GS	ASSY,Tank, 7-Gallon, with Labels			
45	90878GS	CAP, Fuel Tank			
46	195340GS	MOUNT, Vibration, Inner			
47	195341GS	MOUNT, Vibration, Outer			
49	195342GS	SCREW, 5/16 - 18 x 5.25,Taptite			
50	198925GS	ASSY, Jack Coaxial, DC			
58	199463GS	ASSY, Control Panel		(see "Control Panel")	
60	200445GS	KIT, Overflow Fuel Hose w/ Clamp			
67	192809GS	HARNESS, AC			
68	196569GS	STRAP, Battery Hold Down			
69	193463GS	BATTERY, 12V w/Hardware			
70	193347GS	KIT, Hardware Battery			
71	189302JGS	CABLE, Red, Solenoid to Starter			
76	185939SGS	CABLE, Blk, Battery to Engine			
78	189302MGS	CABLE, Red, Battery to Solenoid			
900	-----	ENGINE		Contact Engine Manufacturer	
	196997GS	MANUAL, Operator`s		Not Illustrated	
	MS5936	MANUAL, Engine		Not Illustrated	
	28739AGS	TIEWRAP, Overflow Hose		Not Illustrated	
	200446GS	KIT, Decals		Not Illustrated	
	199384GS	DECAL, Family, CA, EVP		Not Illustrated	
	195247GS	DECAL, Warning		Not Illustrated	
	192808GS	DECAL, Instructions Fuel Level		Not Illustrated	
	B4177GS	CHARGE, Battery		Not Illustrated	
	691959	KEY, Ignition		Not Illustrated	
	100031	STABILIZER, Fuel		Optional Accessories	