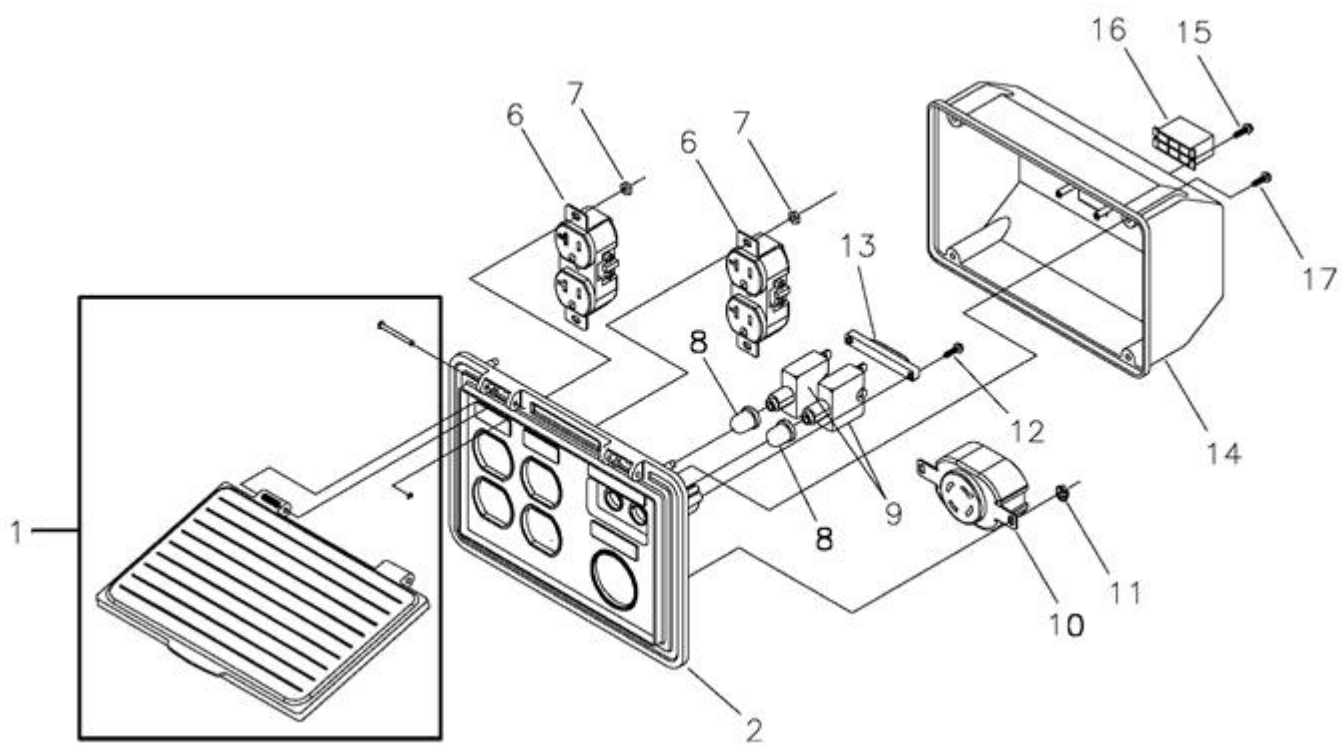
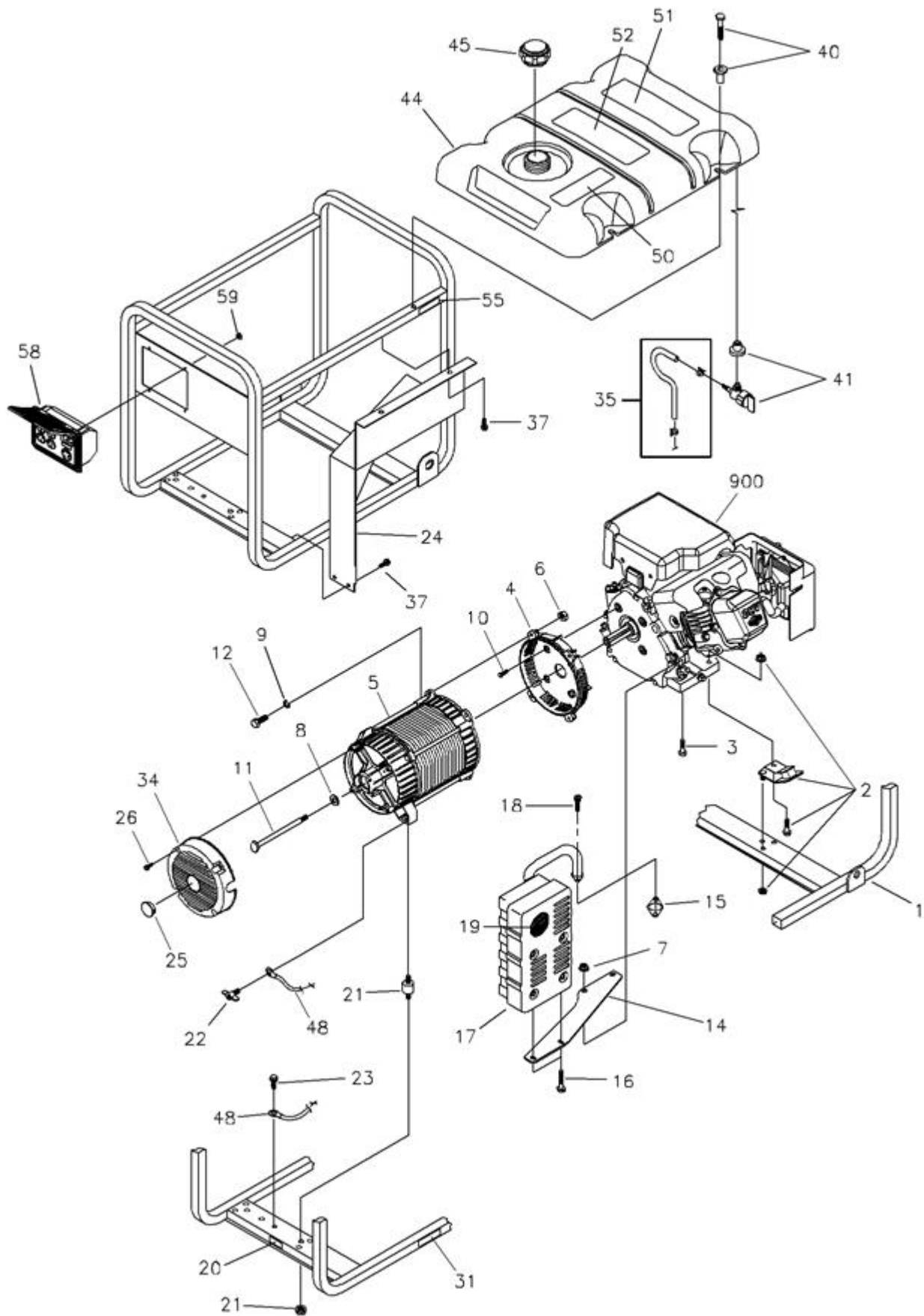


<b>Ref #</b>	<b>Part #</b>	<b>Description</b>	<b>Qty</b>	<b>Context</b>	<b>Note</b>	<b>Foot</b>	<b>Note</b>
1	186059GS	ADAPTER, Mounting,Alternator					
2	191685GS	ROTOR					
3	191686AGS	STATOR					
4	186060GS	RBC, with O-Ring (p/n 189197GS)					
5	86308GS	HHCS, M6 - 1.0 x 115 SEMS					
6	91825GS	ASSY, Holder, Rectifier/Brush					
7	66849GS	TAPTITE, M5 - 0.8 x 16					
8	22694GS	RECEPTACLE, 6 pin					
9	81917GS	PIN, Roll, 4mm x 10					
10	193428AGS	ASSY,Wire, Ground					
13	194274GS	HARNESS,Wire, Power					
14	65791GS	BEARING					

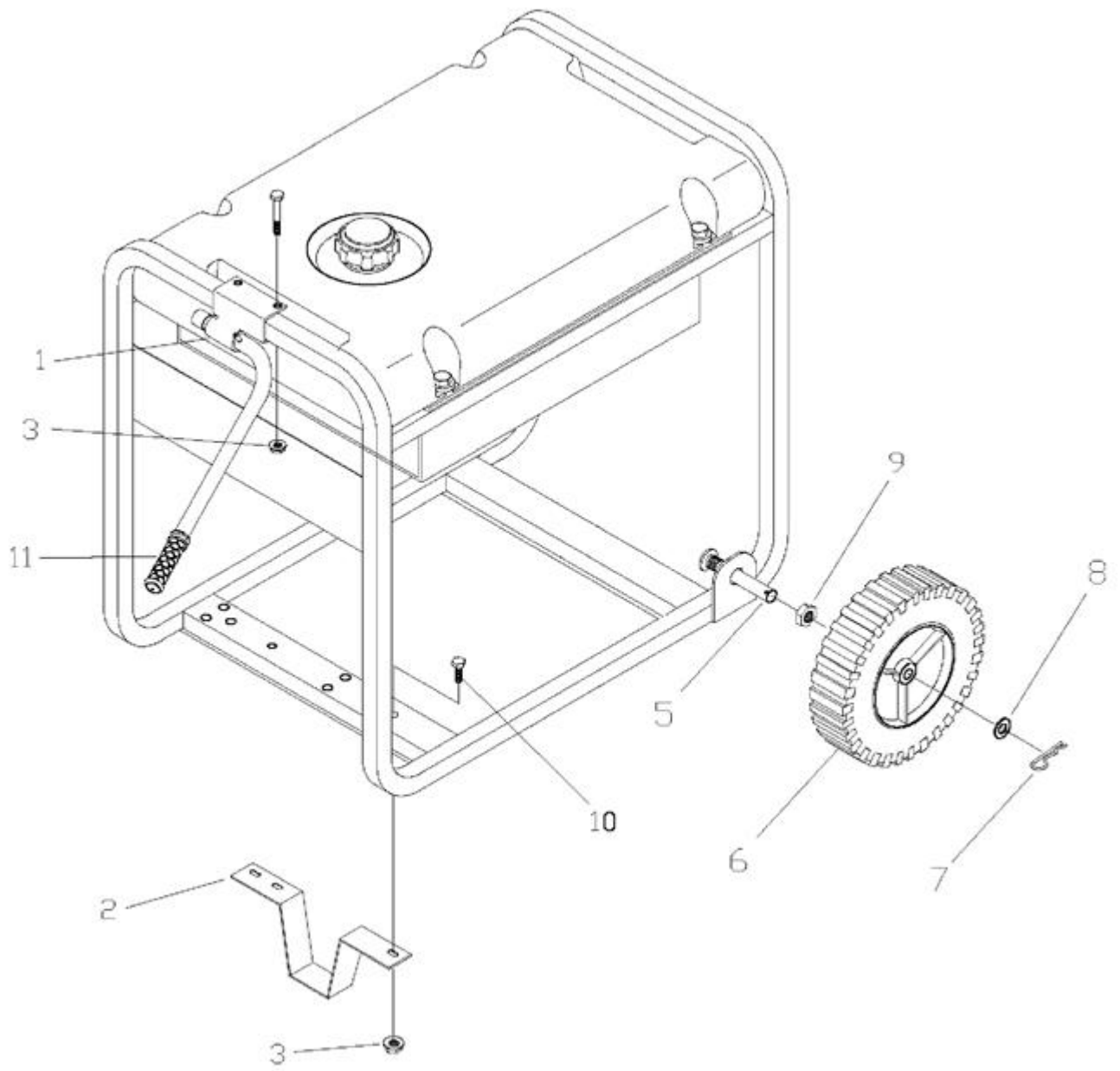


<b>Ref #</b>	<b>Part #</b>	<b>Description</b>	<b>Qty</b>	<b>Context Note</b>	<b>Foot Note</b>
1	195112GS	KIT, Cover Control Panel			
2	188889AGS	CONTROL PANEL, Compact			
6	68759GS	OUTLET, 120V, 20Amp, Duplex			
7	-----	NUT, Palnut, Pushnut, 5/32		(Purchase locally)	
8	84198GS	CAP, Breaker, Circuit			
9	75207DGS	BREAKER, Circuit			
10	68867GS	OUTLET, 120/240V Locking, 20A			
11	-----	NUT, Palnut, Pushnut, 3/16		(Purchase locally)	
12	-----	PPPHS, M3 - 0.5 x 18		(Purchase locally)	
13	93857GS	BAR, Retaining			
14	188890GS	COVER, Back, Control Panel			
15	-----	SCREW, 3 x 18, Tapping		(Purchase locally)	
16	22694GS	HOUSING, Receptacle			
17	-----	SCREW, 3.5 x 14, Tapping		(Purchase locally)	



Ref #	Part #	Description	Qty	Context Note	Foot Note
1	M194779GS	CRADLE			
2	194150GS	KIT, Vibration Mount			
3	-----	TPHMS, M8 1.25 x 35		(Purchase locally)	
4	186058AGS	HOUSING, Engine Adapter			
5	NSP	ASSY, Alternator		(see "Alternator")	
6	-----	NUT, Hex, M8 - 1.25		(Purchase locally)	
7	67989GS	NUT, M8 Flange Serrated			
8	96796GS	WASHER, M8 Flat			
9	-----	WASHER, Lock M8		(Purchase locally)	
10	86307GS	HHCS, 5/16-24 x 3/4, SEMS			
11	24823GS	HHCS, 5/16-24 x 7-7/8" Lg			
12	-----	HHCS, M8 - 1.25 x 25		(Purchase locally)	
14	191785GS	BRACKET, Muffler			
15	697815	GASKET, Exhaust			
16	-----	HHCS, M6 1.0 x 12 with LW		(Purchase locally)	
17	188301GS	MUFFLER			
18	-----	SHCS, M6 - 1.0 x 20		(Purchase locally)	
19	83083GS	SCREEN, Spark Arrest			
20	B4986GS	DECAL, Ground			
22	86494GS	SCREW, Wing M6 - 1.0 x 16			
21	194153GS	KIT, Vibration Mount			
23	86292GS	SCREW, 10 - 16 x 3/4, Self Drill			
24	191790GS	SHIELD, Heat			
25	191190GS	CAP			
26	74908GS	TAPTITE, M5-0.8 x 10 Lg.			
31	196830GS	DECAL, Caution Hot Muffler			
34	195422GS	COVER, RBC with Cap			
35	195207GS	KIT, Fuel Hose with Clamp			
37	B2153GS	HHCS, 12 - 14 x 7/8" Self Driller			
40	194398GS	KIT, Fuel Tank Hardware		(Includes Qty of 4)	
41	192980GS	KIT, Valve, Tank			
44	193645GS	ASSY, Tank, Fuel		(Includes Items 41, 50, 51 & 52)	
45	200095GS	CAP, Fuel			
48	195373GS	WIRE, Ground			
50	188333GS	DECAL, Fuel Level			
51	194799GS	DECAL, Danger			

<b>Ref #</b>	<b>Part #</b>	<b>Description</b>	<b>Qty</b>	<b>Context Note</b>	<b>Foot Note</b>
52	189235GS	DECAL, Operating Instructions			
55	197798GS	DECAL, Fuel Shut Off			
58	191743AGS	ASSY, Control Panel		(see "Control Panel")	
59	-----	NUT, Palut, 3/16"		(Purchase locally)	
900	-----	ENGINE		Contact Engine Manufacturer	
--	199051GS	MANUAL, Operator`s		Not Illustrated	
--	MS3430	MANUAL, Engine		Not Illustrated	
--	BB3061GS	OIL BOTTLE		Not Illustrated	
--	195576GS	KIT, Decals, Service		Not Illustrated	
--	199384GS	DECAL, Family, CA EVP, 2006		Not Illustrated	
--	100031	STABILIZER, Fuel		Optional Accessories	





<b>Ref #</b>	<b>Part #</b>	<b>Description</b>	<b>Qty</b>	<b>Context Note</b>	<b>Foot Note</b>
1	189715GS	ASSY, Handle		(Includes Item 11)	
2	94034GS	LEG, Mounting			
3	52858GS	NUT, Locking Hex M8 - 1.25			
4	-----	HHCS, M8 - 1.25 x 45		(Purchase locally)	
5	93728GS	AXLE			
6	197061GS	WHEEL			
7	87005AGS	PIN			
8	-----	WASHER, Flat M12		(Purchase locally)	
9	94222QGS	NUT, 5/8 - 18 Jam Lock			
10	-----	HHCS, M8 - 1.25 x 20		(Purchase locally)	
11	189718GS	GRIP, Handle			
--	191932GS	SUBKIT, Hardware		(Not Illustrated)	