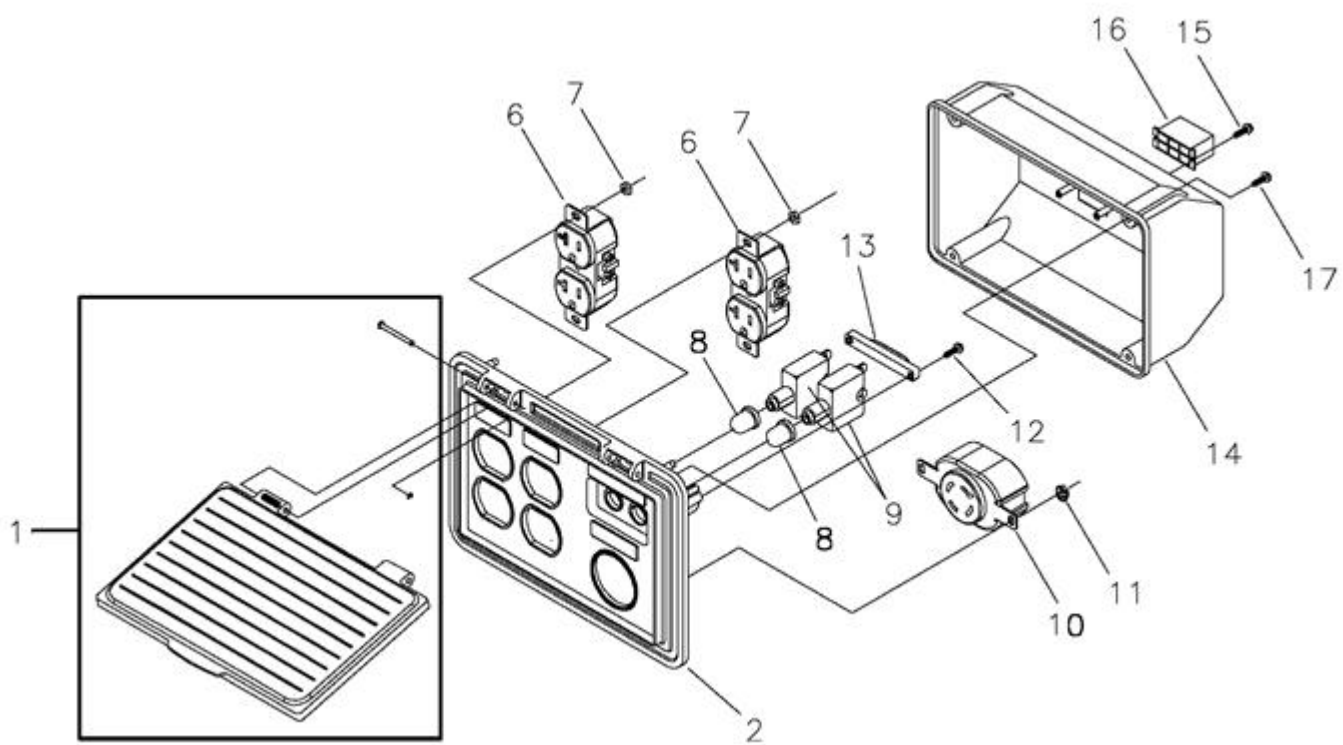
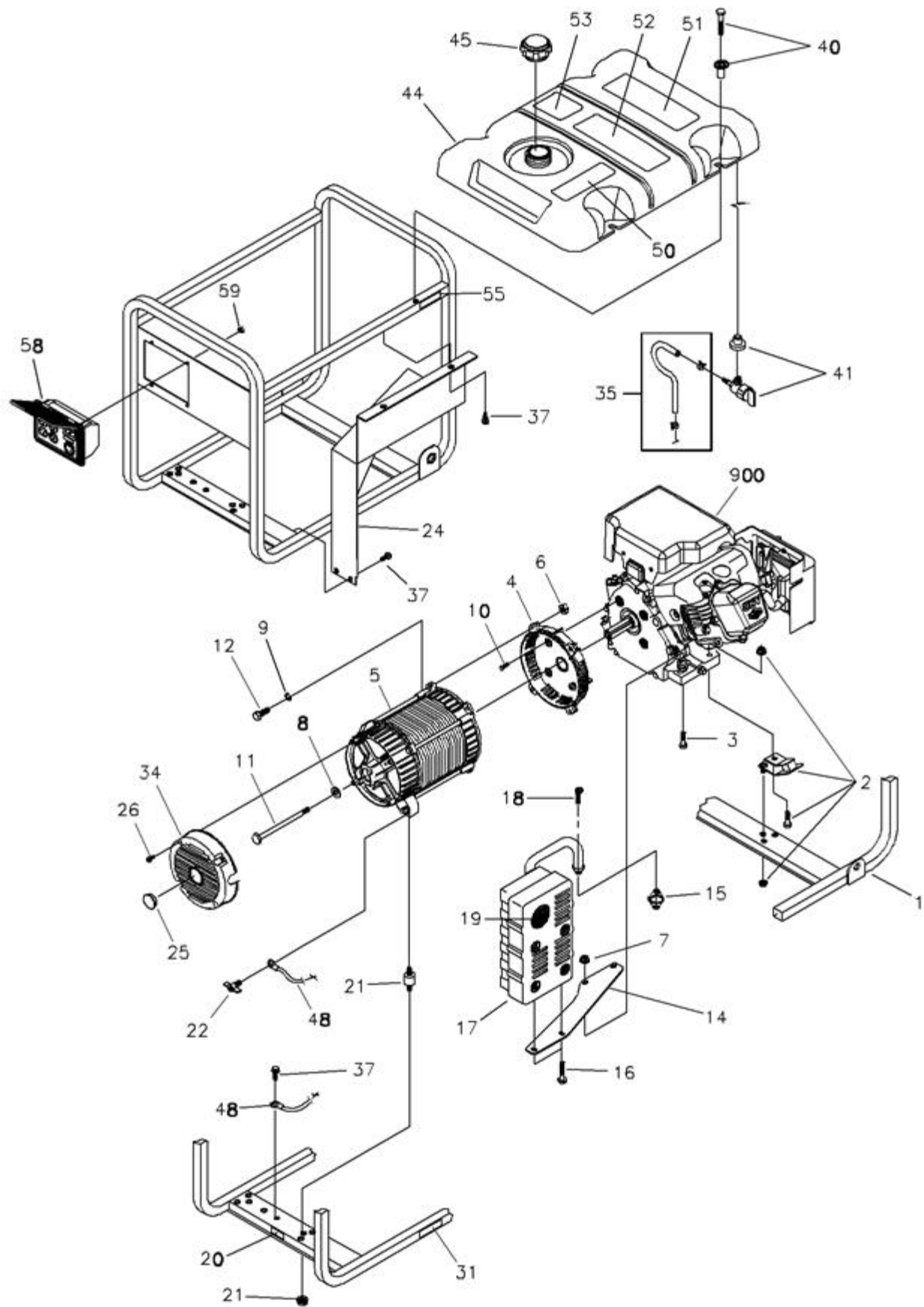


<b>Ref #</b>	<b>Part #</b>	<b>Description</b>	<b>Qty</b>	<b>Context</b>	<b>Note</b>	<b>Foot Note</b>
1	186059GS	ADAPTER, Mounting,Alternator				
2	191685GS	ROTOR				
3	191686AGS	STATOR				
4	186060GS	RBC, with O-Ring (p/n 189197GS)				
5	86308GS	HHCS, M6 - 1.0 x 115 SEMS				
6	91825GS	ASSY, Holder, Rectifier/Brush				
7	66849GS	TAPTITE, M5 - 0.8 x 16				
8	22694GS	RECEPTACLE, 6 pin				
9	81917GS	PIN, Roll, 4mm x 10				
10	193428AGS	ASSY,Wire, Ground				
13	194274GS	HARNESS,Wire, Power				
14	65791GS	BEARING				

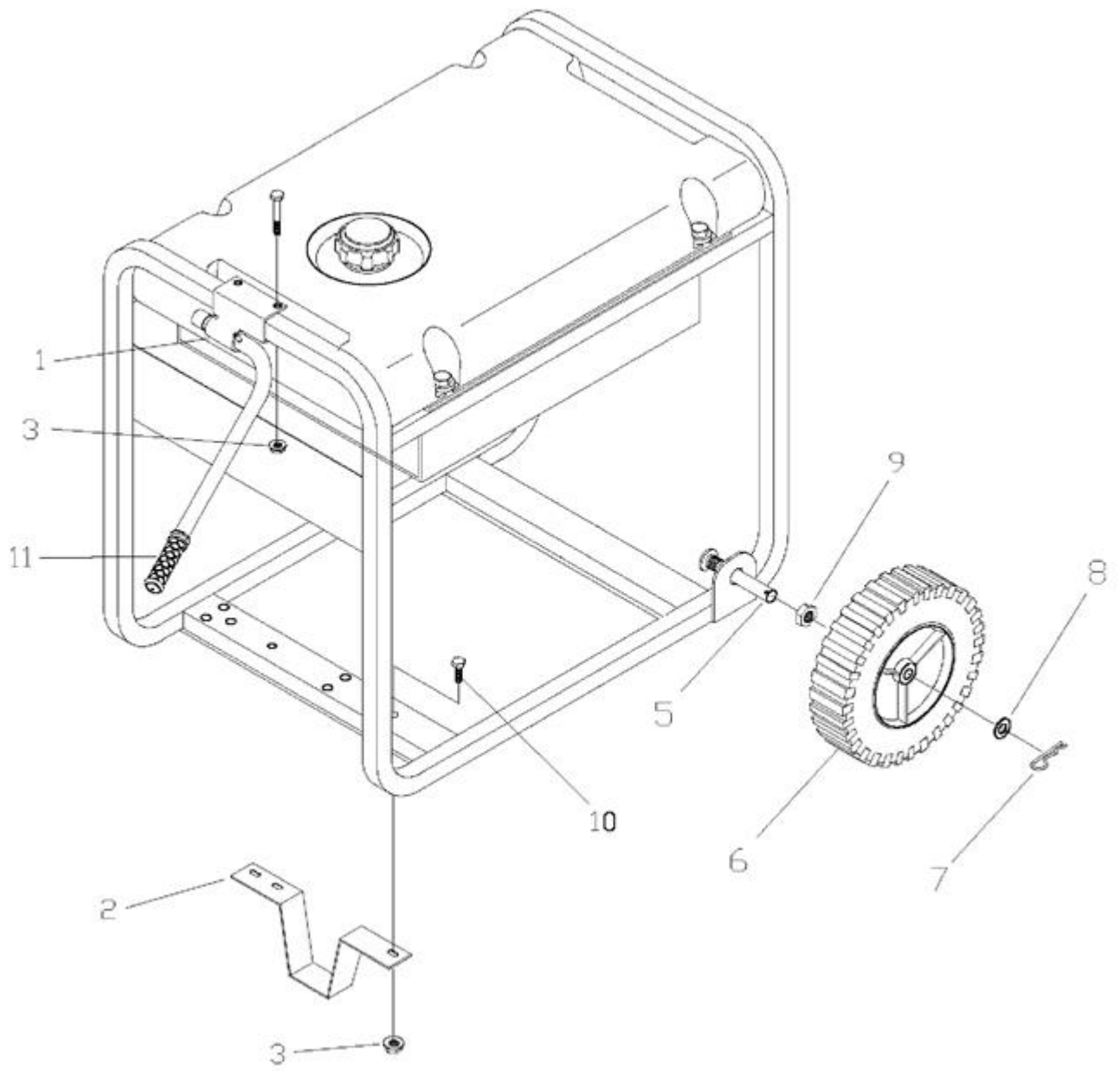


<b>Ref #</b>	<b>Part #</b>	<b>Description</b>	<b>Qty</b>	<b>Context Note</b>	<b>Foot Note</b>
1	195112GS	KIT, Cover Control Panel			
2	188889AGS	CONTROL PANEL, Compact			
6	68759GS	OUTLET, 120V, 20Amp, Duplex			
7	-----	NUT, Palnut, Pushnut, 5/32		(Purchase locally)	
8	84198GS	CAP, Breaker, Circuit			
9	75207DGS	BREAKER, Circuit			
10	68867GS	OUTLET, 120/240V Locking, 20A			
11	-----	NUT, Palnut, Pushnut, 3/16		(Purchase locally)	
12	-----	PPPHS, M3 - 0.5 x 18		(Purchase locally)	
13	93857GS	BAR, Retaining			
14	188890GS	COVER, Back, Control Panel			
15	-----	SCREW, 3 x 18, Tapping		(Purchase locally)	
16	22694GS	HOUSING, Receptacle			
17	-----	SCREW, 3.5 x 14, Tapping		(Purchase locally)	



Ref #	Part #	Description	Qty	Context Note	Foot Note
1	M194779GS	CRADLE			
2	194150GS	KIT, Vibration Mount			
3	-----	TPHMS, M8 1.25 x 35		Purchase locally	
4	186058AGS	HOUSING, Engine Adapter			
5	NSP	ASSY, Alternator (see page 4)			
6	-----	NUT, Hex, M8 - 1.25		Purchase locally	
7	67989GS	NUT, M8 Flange Serrated			
8	96796GS	WASHER, 8.4 x 22.2 x 3			
9	-----	WASHER, Lock M8		Purchase locally	
10	86307GS	HHCS, 5/16-24 x 3/4, SEMS			
11	24823GS	HHCS, 5/16-24 x 7-7/8"			
12	-----	HHCS, M8 - 1.25 x 25		Purchase locally	
14	191785GS	BRACKET, Muffler			
15	697815	GASKET, Exhaust			
16	-----	HHCS, M6 1.0 x 12 with Lock Washer		Purchase locally	
17	188301GS	MUFFLER			
18	-----	SHCS, M6 - 1.0 x 20		Purchase locally	
19	83083GS	SCREEN, Spark Arrest			
20	B4986GS	DECAL, Ground			
22	86494GS	SCREW, Wing M6 - 1.0 x 16			
21	194153GS	KIT, Vibration Mount			
24	191790GS	SHIELD, Heat			
25	191190GS	CAP			
26	74908GS	TAPTITE, M5-0.8 x 10			
31	196830GS	DECAL, Caution Exhaust			
34	195422GS	COVER, RBC with Cap			
35	195207GS	KIT, Fuel Hose with Clamp			
37	B2153GS	HHCS, 12 - 14 x 7/8" Self Driller			
40	194398GS	KIT, Fuel Tank Hardware			
41	192980GS	KIT, Valve, Tank			
44	193645GS	ASSY., Tank, Fuel Service (includes Items 41, 50, 51, 52 & 53)			
45	200095GS	CAP, Fuel			
48	195373GS	WIRE, Ground			
50	188333GS	DECAL, Fuel Level			
51	194799GS	DECAL, Danger			
52	189235GS	DECAL, Operating Instructions			
53	202997GS	DECAL, CO Warning			
55	197798GS	DECAL, Fuel Shut Off			

<b>Ref #</b>	<b>Part #</b>	<b>Description</b>	<b>Qty</b>	<b>Context Note</b>	<b>Foot Note</b>
58	191743AGS	ASSY, Control Panel			
59	189164	NUT, Palnut, 3/16"		Purchase locally	
900	203492	ENGINE		Contact Engine Manufacturer	
	203476GS	MANUAL, Operator's		Parts Not Illustrated	
	BB3061BGS	OIL BOTTLE		Parts Not Illustrated	
	195576GS	KIT, Decals, Service		Parts Not Illustrated	





<b>Ref #</b>	<b>Part #</b>	<b>Description</b>	<b>Qty</b>	<b>Context Note</b>	<b>Foot Note</b>
1	189715GS	ASSY, Handle		(Includes Item 11)	
2	94034GS	LEG, Mounting			
3	52858GS	NUT, Locking Hex M8 - 1.25			
4	-----	HHCS, M8 - 1.25 x 45		(Purchase locally)	
5	93728GS	AXLE			
6	197061GS	WHEEL			
7	87005AGS	PIN			
8	-----	WASHER, Flat M12		(Purchase locally)	
9	94222QGS	NUT, 5/8 - 18 Jam Lock			
10	-----	HHCS, M8 - 1.25 x 20		(Purchase locally)	
11	189718GS	GRIP, Handle			
--	191932GS	SUBKIT, Hardware		(Not Illustrated)	