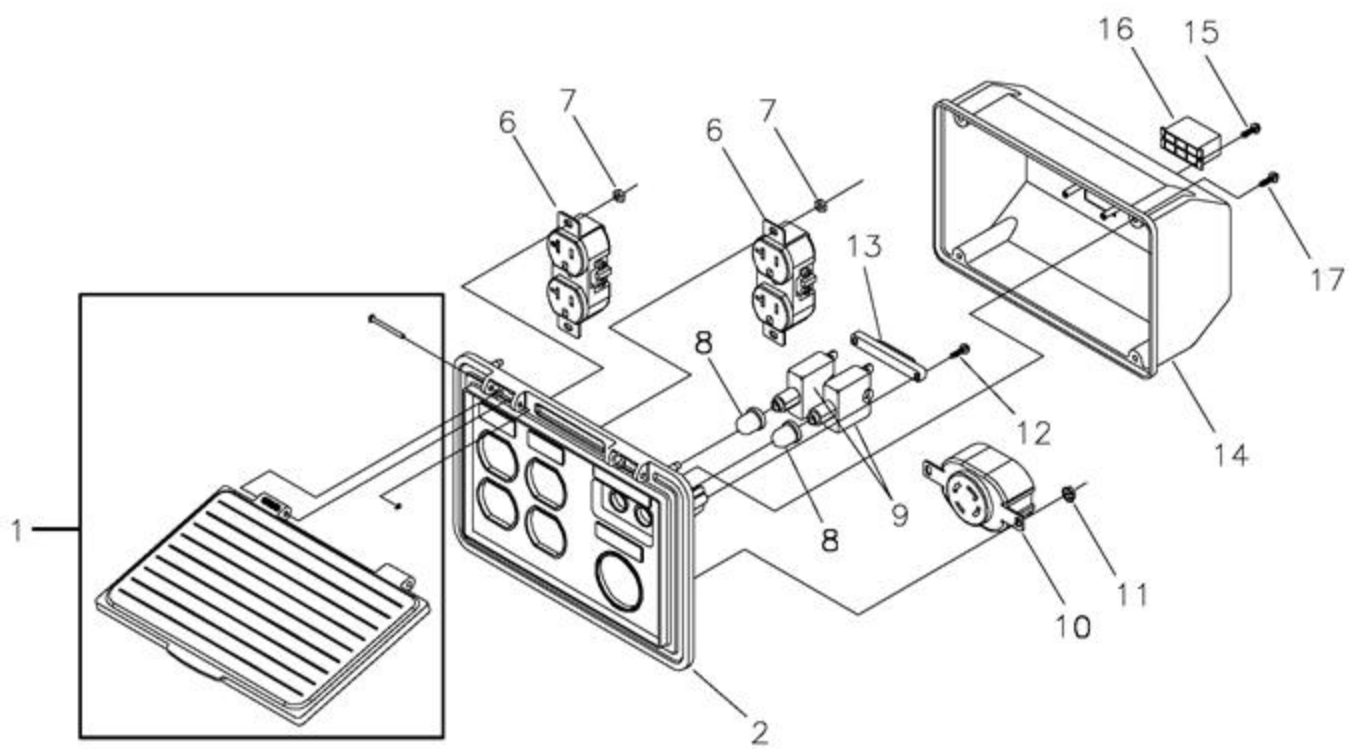
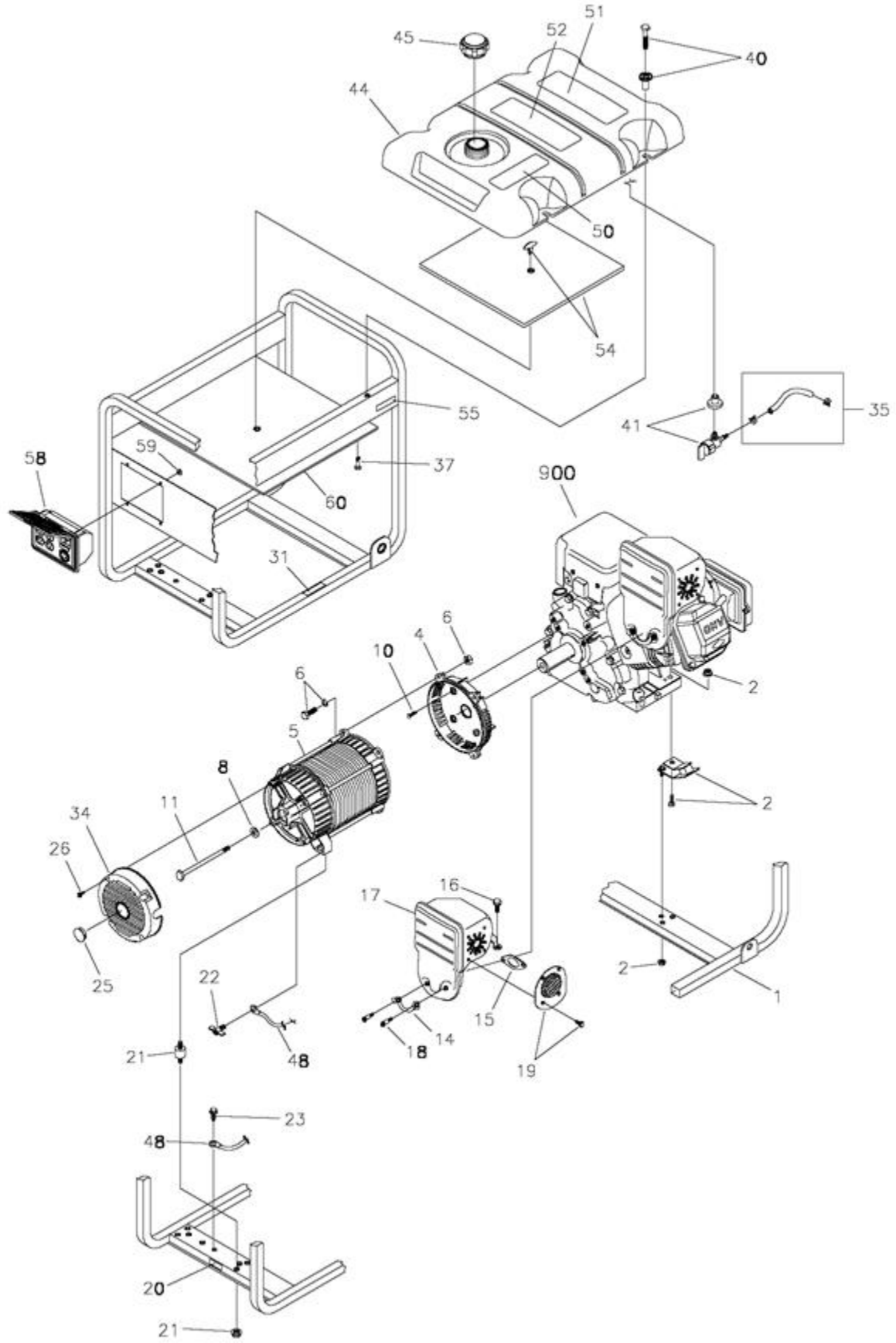


<b>Ref #</b>	<b>Part #</b>	<b>Description</b>	<b>Qty</b>	<b>Context</b>	<b>Note</b>	<b>Foot</b>	<b>Note</b>
1	186059GS	ADAPTER, Mounting,Alternator					
2	190032GS	ROTOR					
3	190079AGS	STATOR					
4	186060GS	RBC, with O-Ring (p/n 189197GS)					
5	86308HGS	HHCS, M6 - 1.0 x 140 SEMS					
6	91825GS	ASSY, Holder, Rectifier/Brush					
7	66849GS	TAPTITE, M5 - 0.8 x 16					
8	22694GS	RECEPTACLE, 6 pin					
9	81917GS	PIN, Roll, 4mm x 10					
10	193428AGS	ASSY,Wire, Ground					
13	194274GS	HARNESS,Wire, Power					
--	189197GS	O-RING, 1.375 N I.D. X .093 IN					



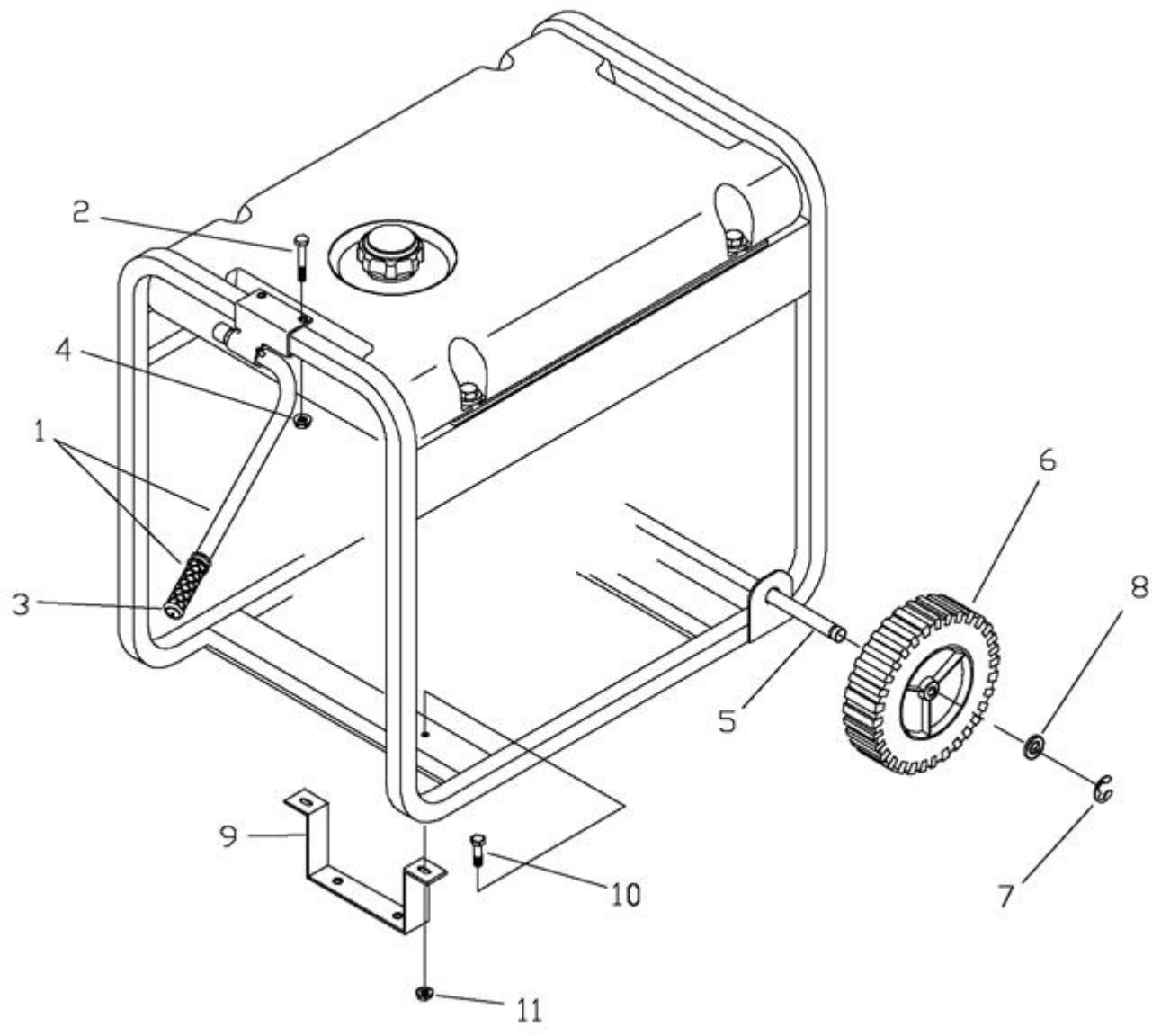
<b>Ref #</b>	<b>Part #</b>	<b>Description</b>	<b>Qty</b>	<b>Context Note</b>	<b>Foot Note</b>
1	195112GS	KIT, Control Panel Lid			
2	188889GS	CONTROL PANEL, Compact			
6	68759GS	OUTLET, 120V, 20A, Duplex			
7	-----	NUT, Palnut, Pushnut, 5/32		(Purchase locally)	
8	84198GS	CAP, Breaker, Circuit			
9	75207GS	BREAKER, Circuit			
10	43437GS	OUTLET, 120/240V Locking, 30A			
11	-----	NUT, Palnut, Pushnut, 3/16		(Purchase locally)	
12	-----	SCREW, Phillips, Head 3.5 x 18		(Purchase locally)	
13	93857GS	BAR, Retaining			
14	188890GS	COVER, Back, Control Panel			
15	82308GS	SCREW, Self Tapping, STC 3 x 18			
16	22694GS	HOUSING, Receptacle			
17	-----	SCREW, Phillips, 3.5 x 14		(Purchase locally)	

Ref #	Part #	Description	Qty	Context Note	Foot Note
-------	--------	-------------	-----	--------------	-----------



Ref #	Part #	Description	Qty	Context Note	Foot Note
1	M195451GS	CRADLE			
2	194150GS	KIT,Vibration Mount 45°.			
4	190220GS	HOUSING, Engine Adapter			
5	NSP	ASSY,Alternator		(see "Alternator")	
6	194151GS	KIT, Hardware Mounting Adapter			
8	96796GS	WASHER, M8 Flat			
10	190274BGS	SBHCS, 3/8-16 x 1.0 Lg.			
11	187365FGS	HHCS, 5/16-24 x 7-7/16			
14	695400	TAB, Locking			
15	697255	GASKET, Exhaust			
16	695312	SCREW			
17	697252	MUFFLER			
18	695399	SCREW, Shoulder			
19	392390	SPARK ARRESTER, with Screw			
20	B4986GS	DECAL, Ground, Green			
21	194153GS	KIT,Vibration Mount			
22	86494GS	SCREW,Wing, M6 - 1.0 x 16			
23	86292GS	SCREW, 10-16 x 3/4, Self Drill			
25	191190GS	CAP			
26	74908GS	SCREW, M5-0.8 x 10,Taptite			
31	191436GS	DECAL, Hot Muffler			
34	195422GS	COVER, Bearing Carrier			
35	194265GS	KIT, Fuel Hose w/ Clamps			
37	B2153GS	SCREW, 12-14 x 7/8 Self Drilling			
40	194398GS	KIT, Fuel Tank Hardware			
41	192980GS	KIT,Valve,Tank			
44	194217GS	ASSY,Tank, Fuel		(Includes Items 41, 50, 51 & 52)	
45	90878GS	CAP, Fuel			
48	195373GS	WIRE, Ground			
50	188333GS	DECAL, Gas Fill			
51	194799GS	DECAL, Danger			
52	189235GS	DECAL, Start Instructions			
54	194448GS	KIT, Insulation w/ Clip			
55	191435GS	DECAL, Fuel Shut-off			
58	190355GS	ASSY, Control Panel		(see "Control Panel")	
59	-----	NUT, Palnut, 3/16"		(Obtain locally)	

<b>Ref #</b>	<b>Part #</b>	<b>Description</b>	<b>Qty</b>	<b>Context Note</b>	<b>Foot Note</b>
60	193452GS	SHIELD, Heat			
900	-----	ENGINE		Contact Engine Manufacturer	
	BB3061GS	BOTTLE, Oil		Not Illustrated	
	195447GS	MANUAL, Owners		Not Illustrated	
	MS5242	MANUAL, Engine		Not Illustrated	
	195574GS	KIT, Decals, Service		Not Illustrated	





<b>Ref #</b>	<b>Part #</b>	<b>Description</b>	<b>Qty</b>	<b>Context Note</b>	<b>Foot Note</b>
1	189715GS	ASSY, Handle		(Includes Item 3)	
2	-----	HHCS, M8 - 1.25 x 45		(Purchase locally)	
3	189718GS	GRIP			
4	52858GS	NUT, Locking Hex M8 - 1.25			
5	192006AGS	AXLE, 1/2" x 22.20"			
6	197061GS	WHEEL			
7	192050GS	E-RING, 1/2"			
8	-----	WASHER, Flat, 1/2"		(Purchase locally)	
9	B187101GS	SUPPORT, Wheel Kit			
10	-----	HHCS, M8, 1.25 x 25		(Purchase locally)	
11	67989GS	NUT, M8 Flange Serrated			