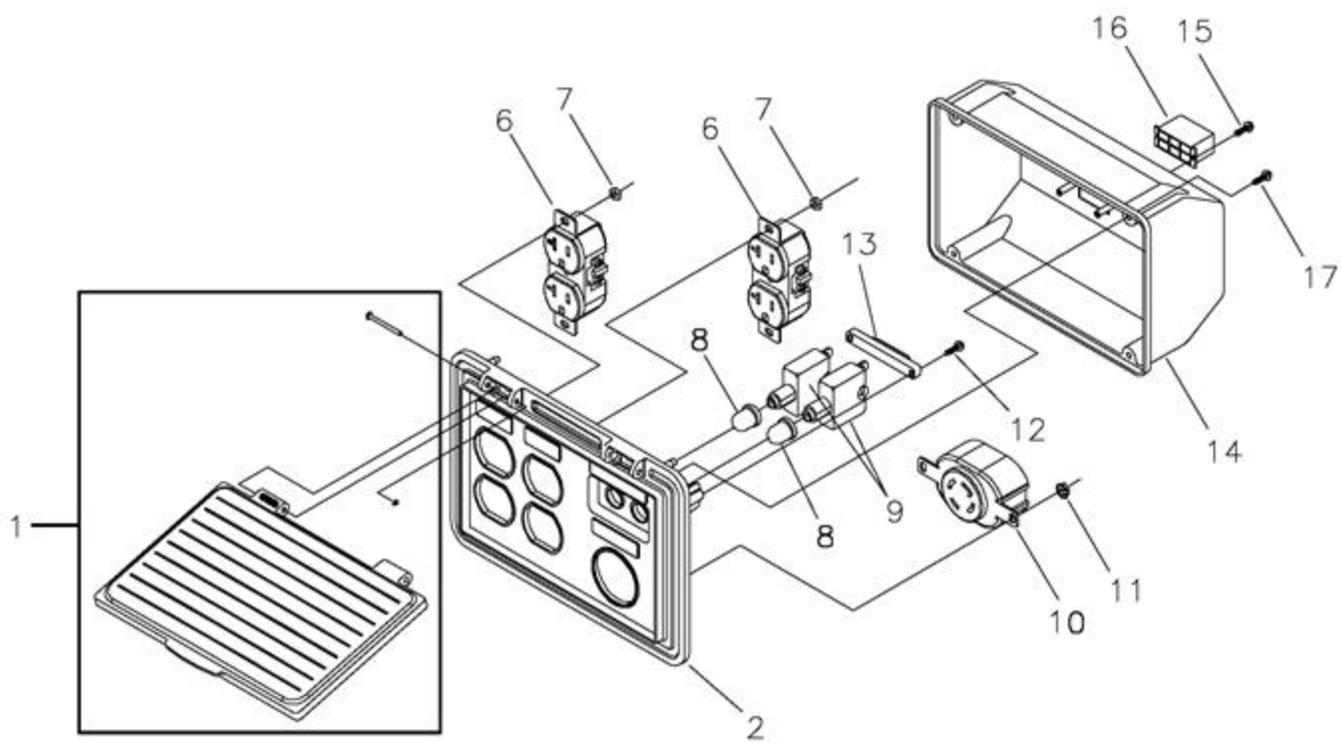
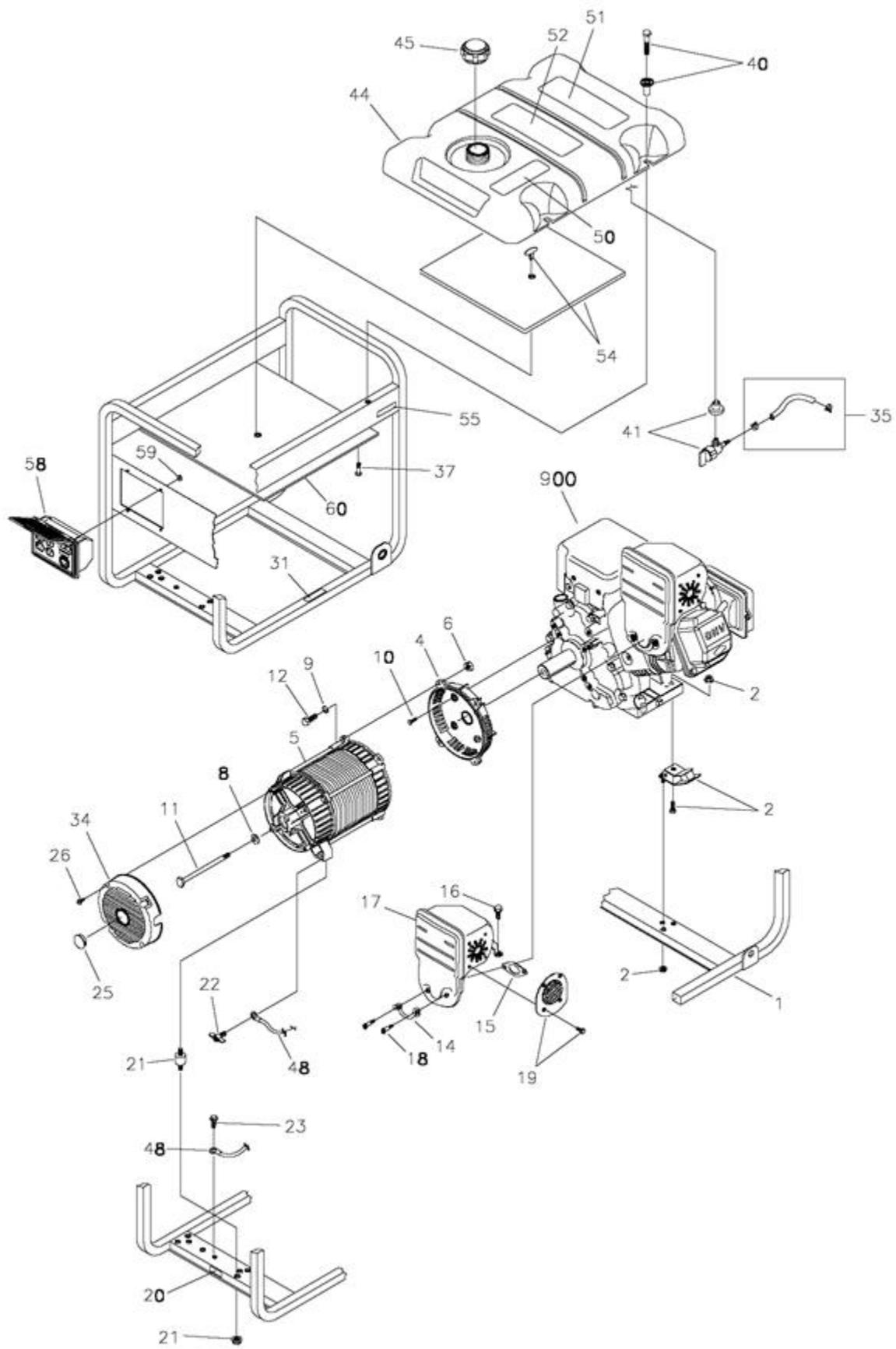


Ref #	Part #	Description	Qty	Context	Note	Foot	Note
1	186059GS	ADAPTER, Mounting,Alternator					
2	191043GS	ROTOR					
3	191042AGS	STATOR					
4	186060GS	RBC, with O-Ring (p/n 189197GS)					
5	86308CGS	HHCS, M6 - 1.0 x 130 SEMS					
6	91825GS	ASSY, Holder, Rectifier/Brush					
7	66849GS	TAPTITE, M5 - 0.8 x 16					
8	22694GS	RECEPTACLE, 6 pin					
9	81917GS	PIN, Roll, 4mm x 10					
10	193428AGS	ASSY,Wire, Ground					
11	194274GS	HARNESS,Wire, Power					
12	65791GS	BEARING					
--	189197GS	O-Ring					

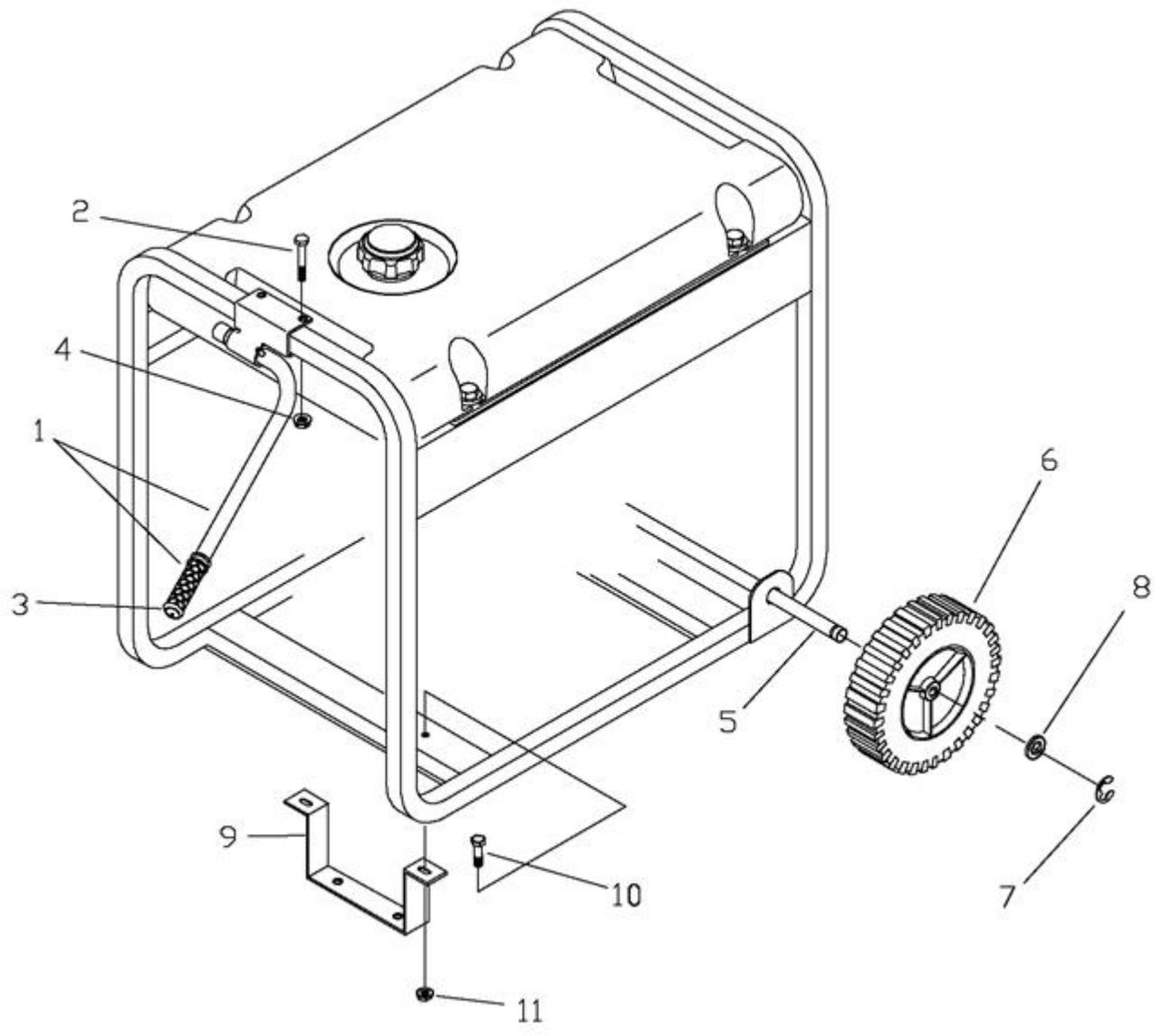


Ref #	Part #	Description	Qty	Context Note	Foot Note
1	195112GS	KIT, Control Panel Lid			
2	188889GS	CONTROL PANEL, Compact			
6	68759GS	OUTLET, 120V, 20A, Duplex			
7	-----	NUT, Palnut, Pushnut, 5/32		(Purchase locally)	
8	84198GS	CAP, Breaker, Circuit			
9	75207GS	BREAKER, Circuit			
10	43437GS	OUTLET, 120/240V Locking, 30A			
11	-----	NUT, Palnut, Pushnut, 3/16		(Purchase locally)	
12	-----	SCREW, Phillips, Head 3.5 x 18		(Purchase locally)	
13	93857GS	BAR, Retaining			
14	188890GS	COVER, Back, Control Panel			
15	82308GS	SCREW, Self Tapping, STC 3 x 18			
16	22694GS	HOUSING, Receptacle			
17	-----	SCREW, Phillips, 3.5 x 14		(Purchase locally)	



Ref #	Part #	Description	Qty	Context Note	Foot Note
1	M196941GS	KIT, Cradle			
2	197564GS	KIT,Vibration Mount 45°			
4	190220GS	HOUSING, Engine Adapter			
5	NSP	ASSY,Alternator		(see "Alternator")	
6		NUT, Hex, M8 - 1.25		(Purchase locally)	
8	96796GS	WASHER, M8 Flat			
9		WASHER, 5/16 - M8 Lock		(Purchase locally)	
10	190274BGS	SBHCS, 3/8-16 x 1.0 Lg.			
11	47480GS	HHCS, 5/16-24 x 7			
12		HHCS, M8 1.25 x 25		(Purchase locally)	
14	695400	TAB, Locking			
15	697255	GASKET, Exhaust			
16	695312	SCREW			
17	697252	MUFFLER			
18	695399	SCREW, Shoulder			
19	392390	SPARK ARRESTER, with Screw			
20	B4986GS	DECAL, Ground, Green			
21	194153GS	KIT,Vibration Mount			
22	86494GS	SCREW,Wing, M6 - 1.0 x 16			
23	86292GS	SCREW, 10-16 x 3/4, Self Drill			
25	191190GS	CAP			
26	74908GS	SCREW, M5-0.8 x 10,Taptite			
31	196830GS	DECAL, Hot Muffler			
34	195422GS	COVER, Bearing Carrier w/Cap			
35	791745	KIT, Fuel Hose (cut to fit)			
37	B2153GS	SCREW, 12-14 x 7/8 Self Drilling			
40	194398GS	KIT, Fuel Tank Hardware			
41	192980GS	KIT,Valve,Tank			
44	194217GS	ASSY,Tank, Fuel		(Includes Items 41, 50, 51 & 52)	
45	90878GS	CAP, Fuel			
48	195373GS	WIRE, Ground			
50	188333GS	DECAL, Gas Fill			
51	194799GS	DECAL, Danger			
52	189235GS	DECAL, Start Instructions			
54	194448GS	KIT, Insulation w/ Clip			
55	197798GS	DECAL, Fuel Shut-off			

Ref #	Part #	Description	Qty	Context Note	Foot Note
58	190355GS	ASSY, Control Panel		(see "Control Panel")	
59		NUT, Palnut, 3/16"		(Purchase locally)	
60	193452GS	SHIELD, Heat			
900		ENGINE		Contact Engine Manufacturer	
	BB3061GS	OIL BOTTLE		Not Illustrated	
	199056GS	MANUAL, Operator`s		Not Illustrated	
	MS5242	MANUAL, Engine		Not Illustrated	
	199384GS	DECAL, Family, CA EVP		Not Illustrated	
	195574GS	KIT, Decals, Service		Not Illustrated	
	100031	STABILIZER, Fuel		Optional Accessory	



Ref #	Part #	Description	Qty	Context Note	Foot Note
1	189715GS	ASSY, Handle		(Includes Item 3)	
2	-----	HHCS, M8 - 1.25 x 45		(Purchase locally)	
3	189718GS	GRIP			
4	52858GS	NUT, Locking Hex M8 - 1.25			
5	192006AGS	AXLE, 1/2" x 22.20"			
6	197061GS	WHEEL			
7	192050GS	E-RING, 1/2"			
8	-----	WASHER, Flat, 1/2"		(Purchase locally)	
9	B187101GS	SUPPORT, Wheel Kit			
10	-----	HHCS, M8, 1.25 x 25		(Purchase locally)	
11	67989GS	NUT, M8 Flange Serrated			