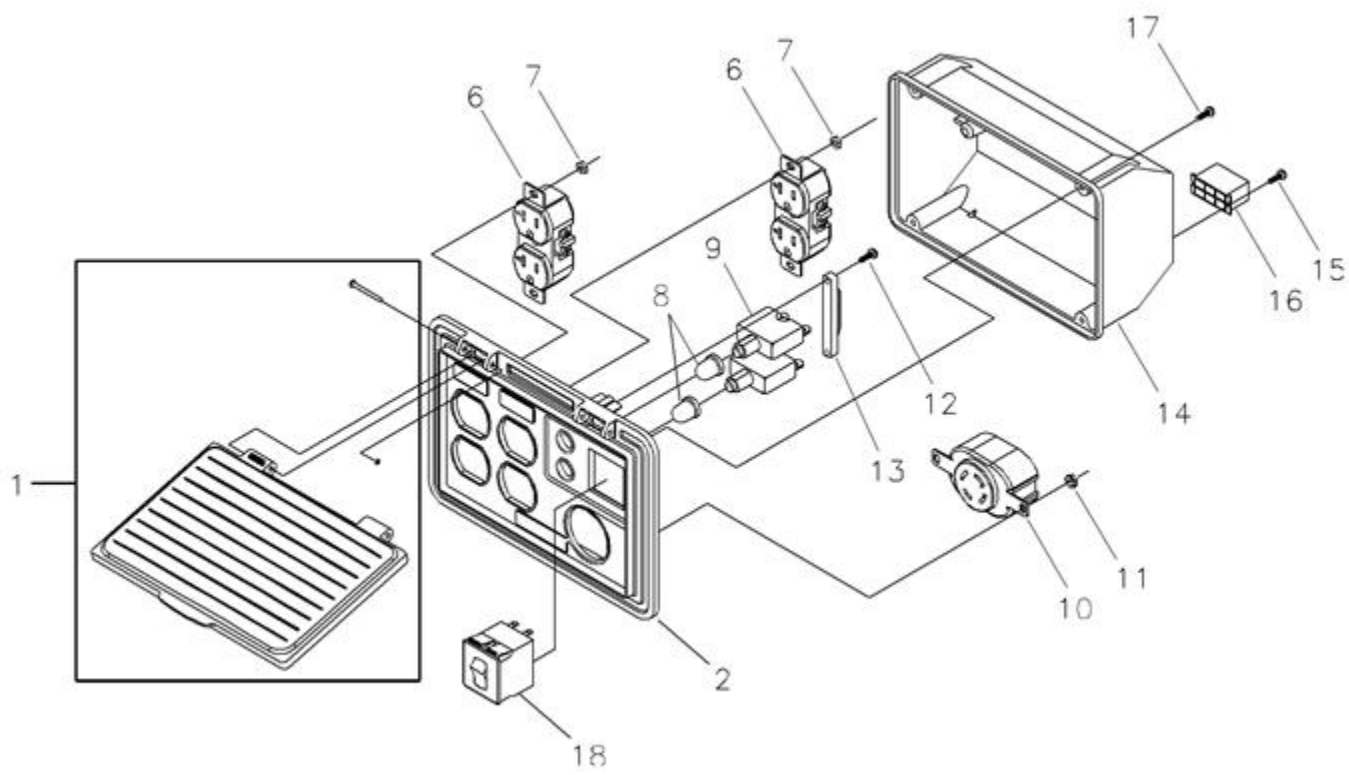
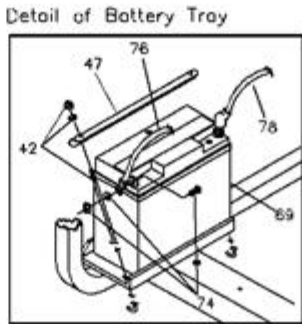
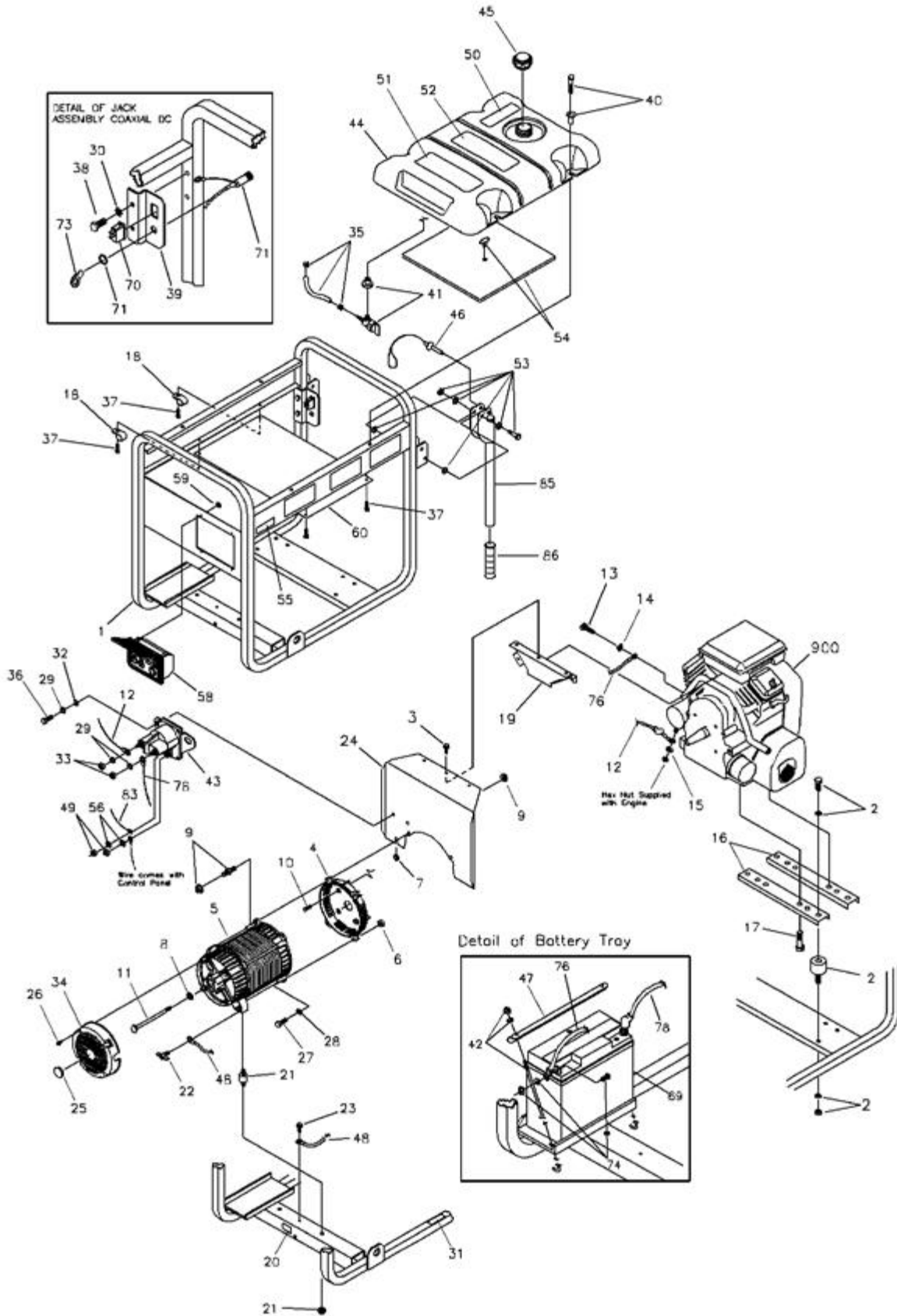
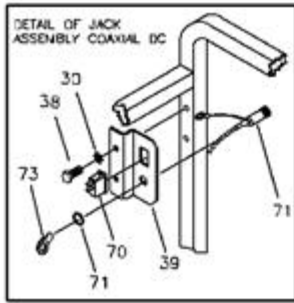


Ref #	Part #	Description	Qty	Context	Note	Foot	Note
1	186059GS	ADAPTER, Mounting, Alternator					
2	196707GS	ROTOR					
3	196706AGS	STATOR					
4	193336GS	RBC, (with O-Ring p/n 189197GS)					
5	86308KGS	HHCS, M6 - 1.0 x 140 SEMS					
6	66386GS	ASSY, Holder, Brush					
7	66849GS	TAPTITE, M5 - 0.8 x 16					
8	22694GS	RECEPTACLE, 6 pin					
9	81917GS	PIN, Roll, 4mm x 10					
10	193428AGS	ASSY, Wire, Ground					
11	196708GS	HARNESS, Power,T.D.R.					
12	189769GS	BOARD, Circuit, System Control, Micro					
13	65791GS	BEARING					



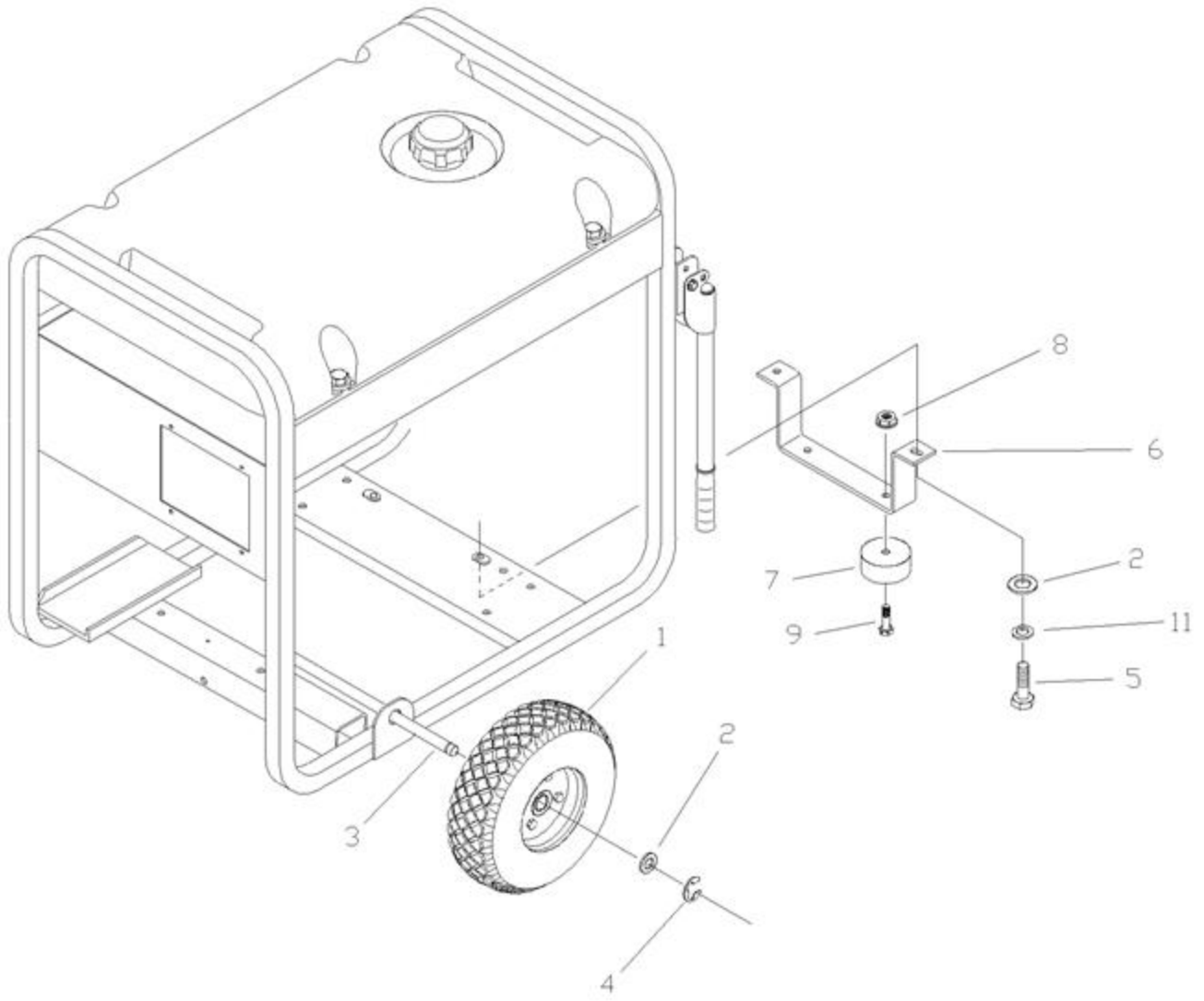
Ref #	Part #	Description	Qty	Context Note	Foot Note
1	195112GS	ASSY, Control Lid Panel			
2	192273DGS	CONTROL PANEL, Compact			
6	68759GS	OUTLET, 120V, 20A, Duplex			
7	-----	NUT, Palnut, Pushnut, 5/32		(Purchase locally)	
8	84198GS	CAP, Breaker, Circuit			
9	75207GS	BREAKER, Circuit			
10	43437GS	OUTLET, 120/240V Locking, 30A			
11	-----	NUT, Palnut, Pushnut, 3/16		(Purchase locally)	
12	-----	PPHMS, 3.5 x 18		(Purchase locally)	
13	93857GS	BAR, Retaining			
14	192274GS	BOX, Rear Cover			
15	82308GS	SCREW, Tapping, STC 3 x 18			
16	22694GS	HOUSING, Receptacle			
17	192241GS	SCREW, Tapping, 3.5 x 14			
18	192785GS	BREAKER, Circuit, 30A			



Ref #	Part #	Description	Qty	Context Note	Foot Note
1	M196373GS	CRADLE			
2	194526GS	KIT, Engine Support Hardware			
3	56893GS	CRIMPTITE, 10-24 x 1/2			
4	190220GS	ADAPTER, Engine			
5	NSP	ASSY, Alternator		(see "Alternator")	
6		NUT, Hex, M8 - 1.25		(Purchase locally)	
7	62265GS	GROMMET			
8	96796GS	WASHER			
9	194208GS	KIT, Alt to Heat Shield Hardware			
10	190274BGS	SCREW, SBHC, 3/8-16 x 1"			
11	187365CGS	HHCS, 5/16 - 24 x 9.29			
12	189302BGS	ASSY, Wire, #16, Red			
13		HHCS, M8 - 1.25 x 16		(Purchase locally)	
14		WASHER, Shakeproof, Ext. 5/16		(Purchase locally)	
15		WASHER, Shakeproof, Ext. M6		(Purchase locally)	
16	M77304GS	SUPPORT, Engine			
17	75246GS	TAPTITE, 3/8 - 16 x 1-1/4			
18	55934TGS	CLAMP, Hose			
19	J93074GS	SUPPORT, Heatshield			
20	B4986GS	DECAL, Ground			
21	194155GS	KIT, Vibration Mount			
22	86494GS	SCREW, Wing M6 - 1.0 x 16			
23	86292GS	SCREW, 10 - 16 x 3/4, Self Drill			
24	J194951GS	ASSY, Heat Shield			
25	191190GS	CAP			
26	74908GS	TAPTITE, M5 - 0.8 x 10			
27		HHCS, M8 - 1.25 x 25		(Purchase locally)	
28		WASHER, Lock, M8 5/16		(Purchase locally)	
29		WASHER, Lock, 1/4		(Purchase locally)	
30		WASHER, Shakeproof, Ext. #10		(Purchase locally)	
31	196830GS	DECAL, Caution Hot Muffler			
32		WASHER, Flat, 1/4 - M6		(Purchase locally)	
33		NUT, 1/4 - 20		(Purchase locally)	

Ref #	Part #	Description	Qty	Context Note	Foot Note
34	195422GS	COVER, RBC Plastic with Cap			
35	791745	KIT, Hose, Fuel (cut to fit)			
36		HHCS, M6 - 1.0 x 20		(Purchase locally)	
37	B2153GS	SCREW, Self Driller, 12-14 x 7/8			
38	195094GS	SCREW, 10-16 x .68 Self Drill			
39	196492GS	ASSY, Switch Starter			
40	194398GS	KIT, Fuel Tank Hardware		(Includes Qty of 4)	
41	192980GS	VALVE, Fuel			
42	193986GS	KIT, Hardware J-Bolt			
43	B4769GS	CONTACTOR, Starter			
44	194217GS	ASSY, Tank Fuel		(Includes Items 41, 50, 51 & 52)	
45	B4363GS	CAP, Fuel Gauge			
46	B4135GS	PIN, Handle Release			
47	M96925GS	BRACKET, Battery Hold Down			
48	195373GS	WIRE, Ground			
49		NUT, 8 - 32		(Purchase locally)	
50	188333GS	DECAL, Instruction Fuel Level			
51	194799GS	DECAL, Danger			
52	189235GS	DECAL, Start Instructions			
53	194034GS	KIT, Folddown Handle Hardware			
54	196725GS	KIT, Insulation w/ clip			
55	197798GS	DECAL, Fuel Shutoff			
56		WASHER, #8 Lock		(Purchase locally)	
58	195661AGS	ASSY, Control Panel		(see "Control Panel")	
59	189164GS	PALNUT, 3/16			
60	196527GS	SHEILD, Heat			
69	193043GS	BATTERY			
70	192855GS	SWITCH, Rocker On/Off			
71	196659GS	ASSY, Jack, Coax, DC			
73	58359GS	LUG, 5/16, #22/18			
74	193347GS	KIT, Hardware Battery			
76	185939KGS	ASSY, Wire, #55 Blk			
78	189302KGS	ASSY, Wire, #13 Red			

Ref #	Part #	Description	Qty	Context Note	Foot Note
83	192403YGS	ASSY, Wire, 18 AWG, Red, 3.5"			
85	B193200GS	ASSY, Fold Down Handle		(Includes Item 86)	
86	198669GS	GRIP, Handle			
900		ENGINE		Contact Engine Manufacturer	
	196377GS	MANUAL, Operator`s		Not Illustrated	
	MS5375	MANUAL, Engine		Not Illustrated	
	BB3061BGS	BOTTLE, Oil		Not Illustrated	
	B4177GS	CHARGER, Battery		Not Illustrated	
	197005GS	KIT, Decal Service		Not Illustrated	
	690661	SCREW, Tapping Hex		Not Illustrated	
	392390	ARRESTER, Spark		Not Illustrated	
	692099	ASSY, Muffler		Not Illustrated	
	691513	BRACKET, Muffler		Not Illustrated	
	692056	SCREW		Not Illustrated	
	690898	CLAMP, Muffler		Not Illustrated	
	692539	SCREW		Not Illustrated	
	100031	STABLIZIER, Fuel		Optional Accessories Not Illustrated	



Ref #	Part #	Description	Qty	Context Note	Foot Note
1	B4966GS	WHEEL			
2	-----	WASHER, 5/8"		(Purchase locally)	
3	191267JGS	AXLE, 5/8"			
4	191265GS	E-RING			
5	-----	HHCS, M8 - 1.25 x 20		(Purchase locally)	
6	B186927GS	SUPPORT, Wheel Kit			
7	87841GS	MOUNT, Vibration			
8	77395GS	NUT, M6 Flange Lock			
9	-----	HHCS, M6 - 1.0 x 16		(Purchase locally)	
11	-----	WASHER, Lock M8		(Purchase locally)	