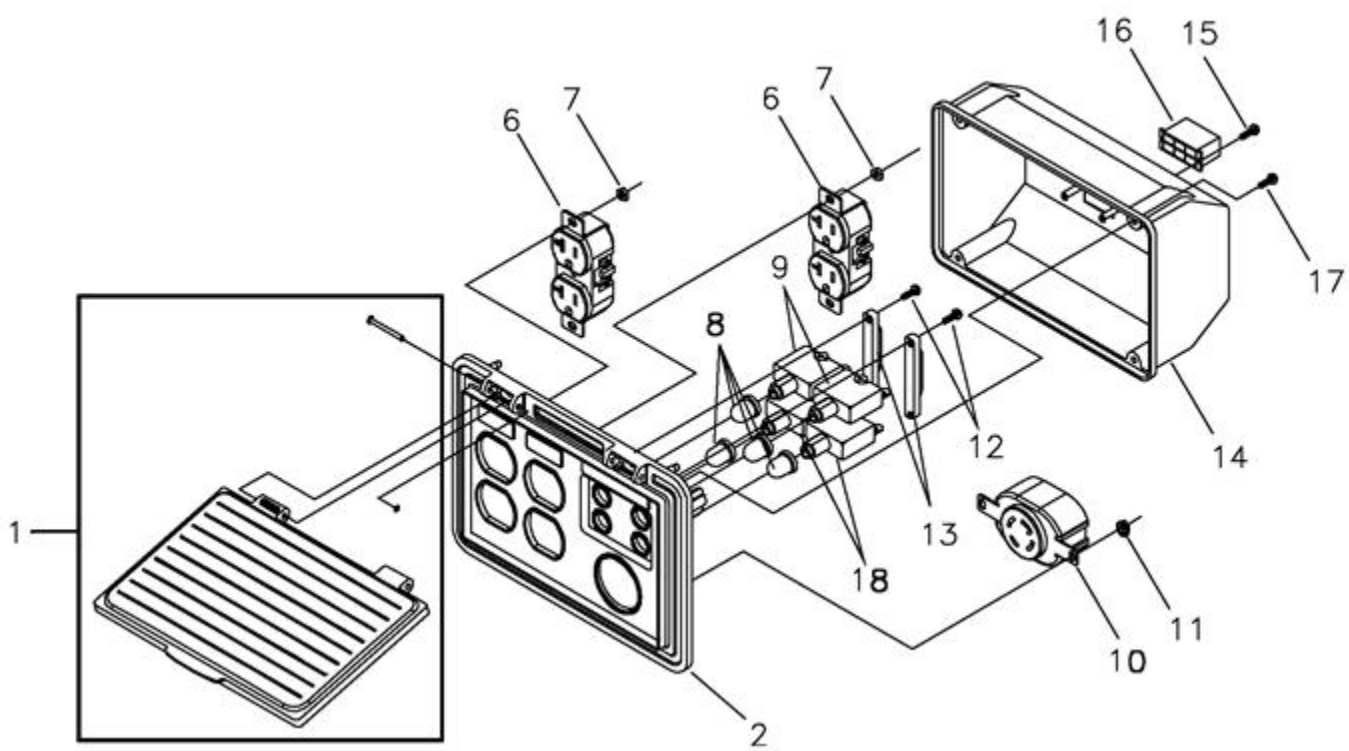
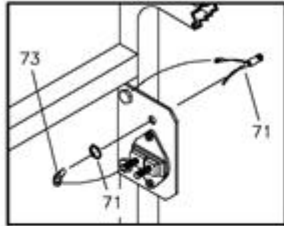


| Ref # | Part # | Description | Qty | Context | Note | Foot | Note |
|--------------|---------------|---------------------------------|------------|----------------|-------------|-------------|-------------|
| 1 | 186059GS | ADAPTER, Mounting,Alternator | | | | | |
| 2 | 191876GS | ROTOR | | | | | |
| 3 | 192196AGS | STATOR | | | | | |
| 4 | 186060GS | RBC, with O-Ring (p/n 189197GS) | | | | | |
| 5 | 86308HGS | HHCS, M6 - 1.0 x 140 SEMS | | | | | |
| 6 | 66386GS | ASSY, Holder, Rectifier/Brush | | | | | |
| 7 | 66849GS | TAPTITE, M5 - 0.8 x 16 | | | | | |
| 8 | 22694GS | RECEPTACLE, 6 pin | | | | | |
| 9 | 81917GS | PIN, Roll, 4mm x 10 | | | | | |
| 10 | 193428AGS | ASSY, Wire, Ground | | | | | |
| 13 | 194274GS | HARNESS, Wire, Power | | | | | |
| 14 | 189769GS | REGULATOR, Voltage-AVR | | | | | |
| 15 | 65795GS | RECTIFIER, Battery Charge | | | | | |
| 16 | 66849AGS | TAPTITE, M5 - 0.8 x 20 | | | | | |
| | 189197GS | O-Ring | | | | | |

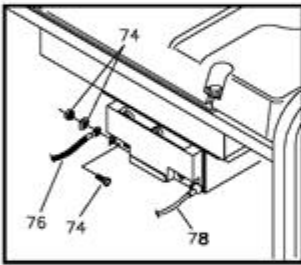


| Ref # | Part # | Description | Qty | Context Note | Foot Note |
|--------------|---------------|---------------------------------|------------|---------------------|------------------|
| 1 | 195112GS | KIT, Control Panel Lid | | | |
| 2 | 191450GS | CONTROL PANEL, Compact | | | |
| 6 | 68759GS | OUTLET, 120V, 20A, Duplex | | | |
| 7 | ----- | NUT, Palnut, 5/32 | | (Purchase locally) | |
| 8 | 84198GS | CAP, Breaker, Circuit | | | |
| 9 | 75207AGS | BREAKER, Circuit, 30A | | | |
| 10 | 43437GS | OUTLET, 120/240V Locking, 30A | | | |
| 11 | ----- | NUT, Palnut, 3/16 | | (Purchase locally) | |
| 12 | ----- | PPPHS, M3- 0.5 x 18 | | (Purchase locally) | |
| 13 | 93857GS | BAR, Retaining | | | |
| 14 | 188890GS | COVER, Back, | | Control Panel | |
| 15 | ----- | SCREW, Self Tapping, STC 3 x 18 | | (Purchase locally) | |
| 16 | 22694GS | HOUSING, Receptacle | | | |
| 17 | ----- | SCREW, Tapping, 3.5 x 14 | | (Purchase locally) | |
| 18 | 75207PGS | BREAKER, Circuit, 25A | | | |

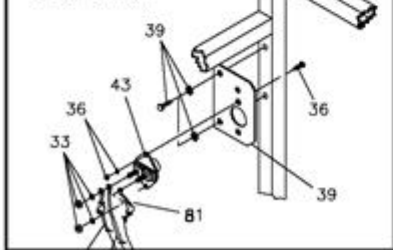
DETAIL OF JACK ASSEMBLY COAXIAL DC



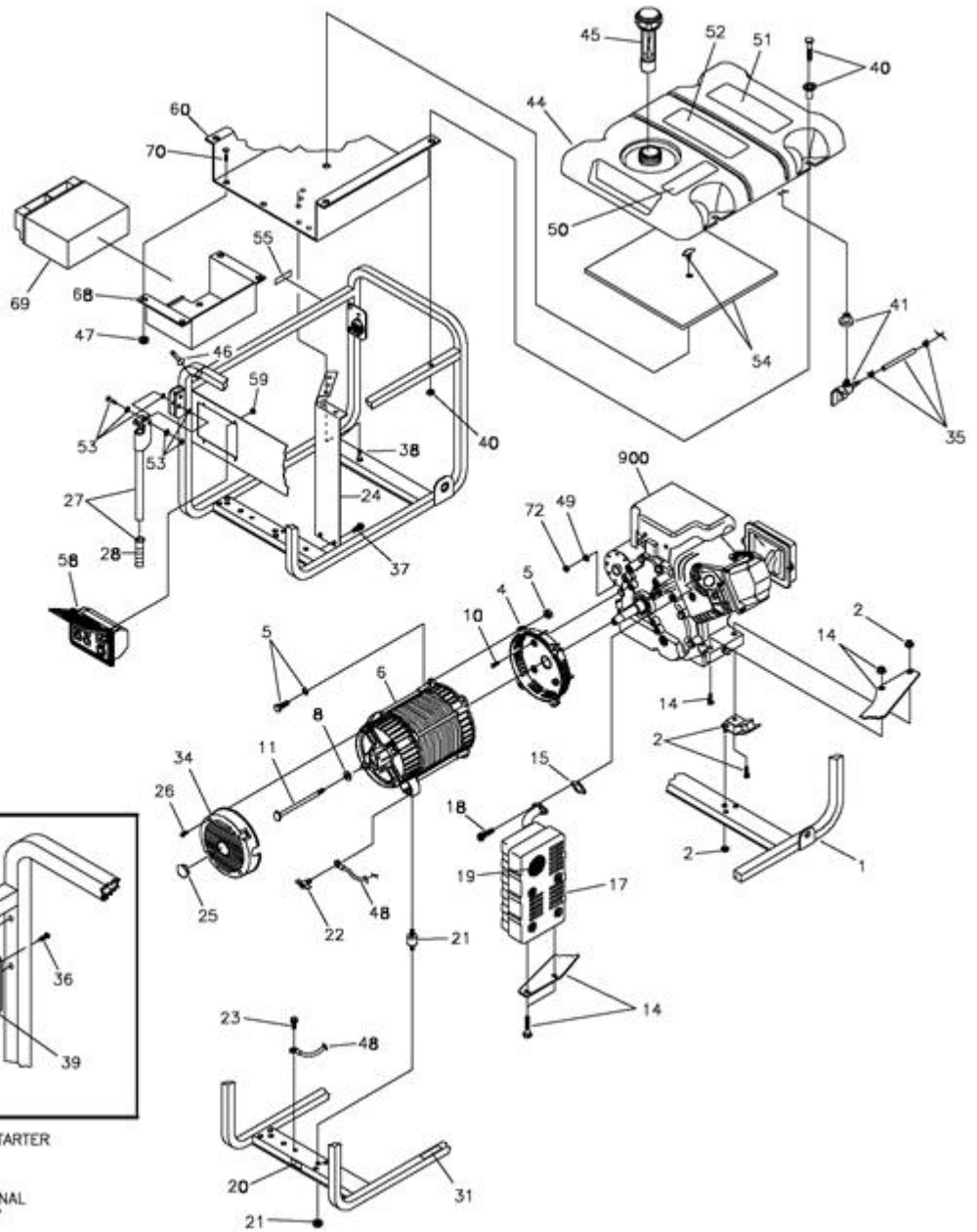
DETAIL OF BATTERY TRAY



DETAIL OF ELECTRIC START SWITCH

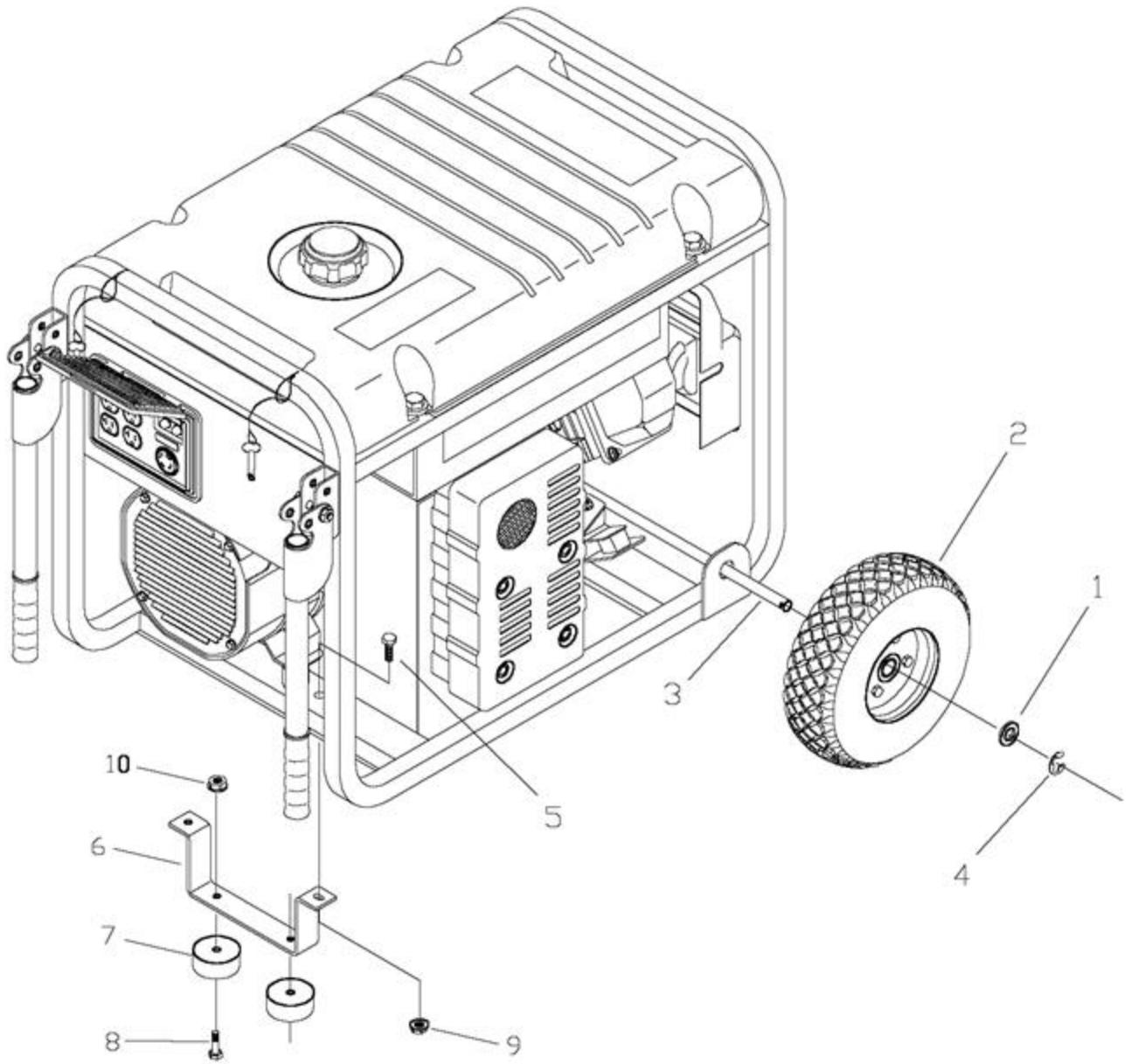


TO STARTER
TO RBC
TO + TERMINAL ON BATTERY



| Ref # | Part # | Description | Qty | Context Note | Foot Note |
|-------|-----------|-------------------------------------|-----|-------------------------------------|-----------|
| 1 | M190305GS | CRADLE | | | |
| 2 | 194150GS | KIT,Vibration Mount, 45°. | | | |
| 4 | 190220GS | HOUSING, Engine Adapter | | | |
| 5 | 194151GS | KIT, Adptr, Hdwr Mounting | | | |
| 6 | NSP | ASSY, Alternator | | (see "Alternator") | |
| 8 | 96796GS | WASHER, M8 Flat | | | |
| 10 | 190274BGS | SBHCS, 3/8-16 x 1.0 Lg. | | | |
| 11 | 187365FGS | HHCS, 5/16-24 x 7.44 | | | |
| 14 | 194729GS | KIT, Muffler & Brct Hardware | | | |
| 15 | 695398 | GASKET, Exhaust | | | |
| 17 | 189008GS | MUFFLER | | | |
| 18 | ----- | SCREW, 5/16 - 18 x 3/4" | | (Purchase locally) | |
| 19 | 83083GS | SCREEN, Spark Arrest | | | |
| 20 | B4986GS | DECAL, Ground | | | |
| 21 | 194153GS | KIT, Vibration, Mount | | | |
| 22 | 86494GS | SCREW, Wing M6 - 1.0 x 16 | | | |
| 23 | 86292GS | SCREW, 10-16 x 3/4 Self Drill | | | |
| 24 | 194390GS | SHIELD, Heat | | | |
| 25 | 191190GS | CAP | | | |
| 26 | 74908GS | TAPTITE, M5-0.8 x 10 | | | |
| 27 | B193200GS | ASSY, Handle | | (Includes Item 28) | |
| 28 | 189718GS | GRIP, Handle | | | |
| 31 | 191436GS | DECAL, Hot Muffler | | | |
| 33 | 194441GS | KIT, Contact Starter Hardware | | | |
| 34 | 195422GS | COVER, Bearing Carrier | | | |
| 35 | 194265GS | KIT, Fuel Hose, with Clamps | | | |
| 36 | 194440GS | KIT, Starter Mounting Hardware | | | |
| 37 | B2153GS | SCREW, 12-14 x 7/8 Self Drilling | | | |
| 38 | 56893GS | SCREW, 10-24 x 1/2 Crimptite | | | |
| 39 | 194439GS | KIT, Mounting Plate Switch | | | |
| 40 | 195477GS | KIT, Hardware Tank Fuel | | | |
| 41 | 192980GS | KIT, Valve,Tank | | | |
| 43 | 77282GS | SWITCH, Starter | | | |
| 44 | 194217GS | ASSY, Tank, Fuel | | (Includes Items 41, 50, 51 & 52) | |
| 45 | B4363GS | CAP, Fuel Gauge | | | |
| 46 | B4135GS | PIN, with Lanyard | | | |

| Ref # | Part # | Description | Qty | Context Note | Foot Note |
|--------------|---------------|--------------------------------|------------|-----------------------------|------------------|
| 47 | 77395GS | NUT, M6 Flange Lock | | | |
| 48 | 195373GS | WIRE, Ground | | | |
| 49 | ----- | WASHER, M6 Shakeproof | | (Purchase locally) | |
| 50 | 188333GS | DECAL, Instruction, Fuel Level | | | |
| 51 | 194799GS | DECAL, Danger | | | |
| 52 | 189235GS | DECAL, Start Instructions | | | |
| 53 | 194034GS | KIT, Handle Fold-down Hardware | | | |
| 54 | 194448GS | KIT, Insulation with Clip | | | |
| 55 | 191435GS | DECAL, Fuel Shut-off | | | |
| 58 | 191757GS | ASSY, Control Panel | | (see "Control Panel") | |
| 59 | ----- | NUT, Palnut, 3/16" | | (Purchase locally) | |
| 60 | 194389GS | SHIELD, Heat | | | |
| 68 | 195680GS | TRAY, Battery | | | |
| 69 | 193043GS | BATTERY | | | |
| 70 | ----- | HHCS, M6 - 1.0 x 12 | | (Purchase locally) | |
| 71 | 192531GS | ASSY, Jack, DC | | | |
| 72 | ----- | NUT, 1/4 - 20 | | (Purchase locally) | |
| 73 | 58359GS | LUG, 5/16 #22/18 I-S | | | |
| 74 | 193347GS | KIT, Battery Hardware | | | |
| 76 | 185939KGS | ASSY, Wire, #55 | | | |
| 78 | 189302CGS | ASSY, Wire, #13 | | | |
| 81 | 189302GGS | ASSY, Wire, #16 | | | |
| 83 | 192355GS | ASSY, Wire, #13 | | | |
| 900 | ----- | ENGINE | | Contact Engine Manufacturer | |
| | MS5242 | MANUAL, Engine | | Not Illustrated | |
| | 195529GS | MANUAL, Owners | | Not Illustrated | |
| | BB3061GS | BOTTLE, Oil | | Not Illustrated | |
| | B4177GS | CHARGER, Battery | | Not Illustrated | |
| | 195578GS | KIT, Decals Service | | Not Illustrated | |



| Ref # | Part # | Description | Qty | Context Note | Foot Note |
|--------------|---------------|-----------------------------|------------|---------------------|------------------|
| 1 | ----- | WASHER, 5/8 | | (Purchase locally) | |
| 2 | B4966GS | WHEEL | | | |
| 3 | 191267GGS | AXLE, 5/8" x 23.62" | | | |
| 4 | 191265GS | E-RING, 5/8 | | | |
| 5 | ----- | HHCS, M8 - 1.25 x 20 | | (Purchase locally) | |
| 6 | B187101GS | LEG, Support | | | |
| 7 | 191413GS | VIBE MOUNT, with Washer | | | |
| 8 | ----- | HHCS, 1/4 - 20 x 1 | | (Purchase locally) | |
| 9 | 52858GS | NUT, M8 - 1.25 Lock | | | |
| 10 | 192432GS | NUT, 1/4 - 20 Serrated Lock | | | |