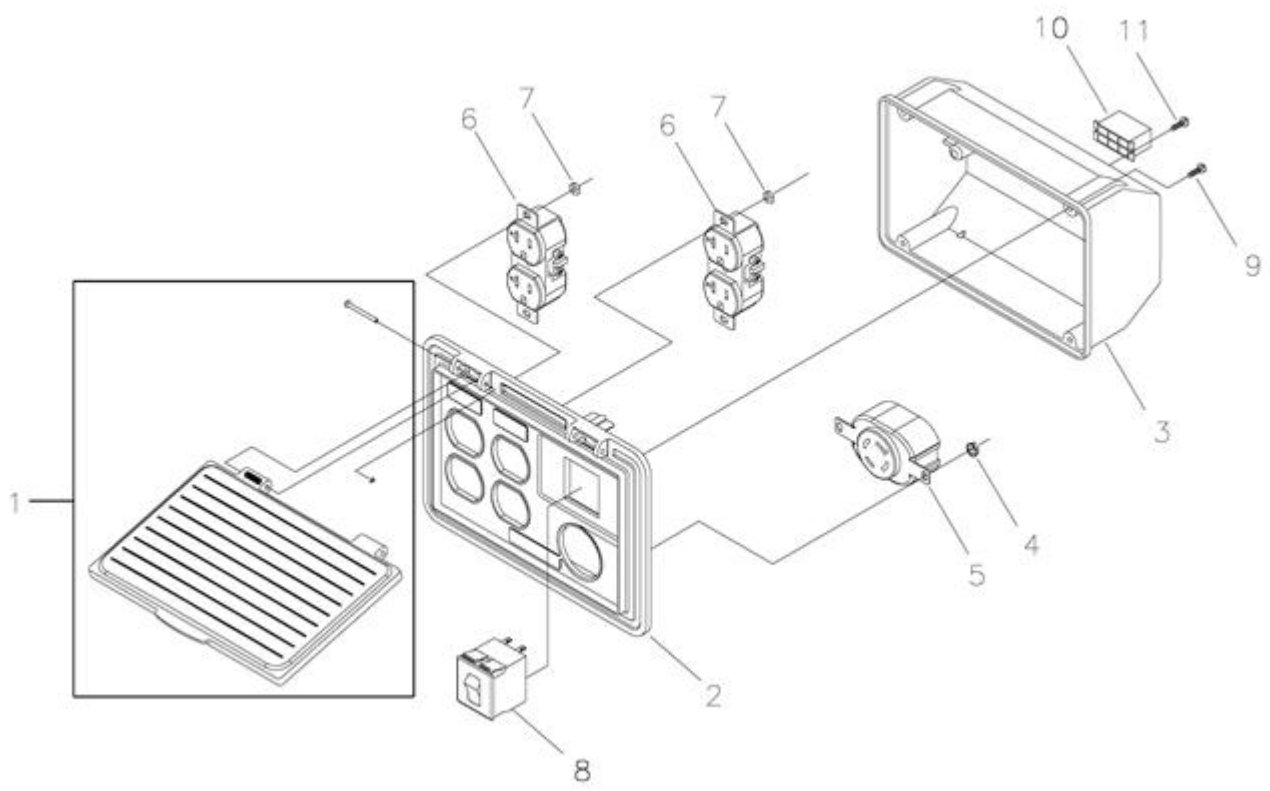
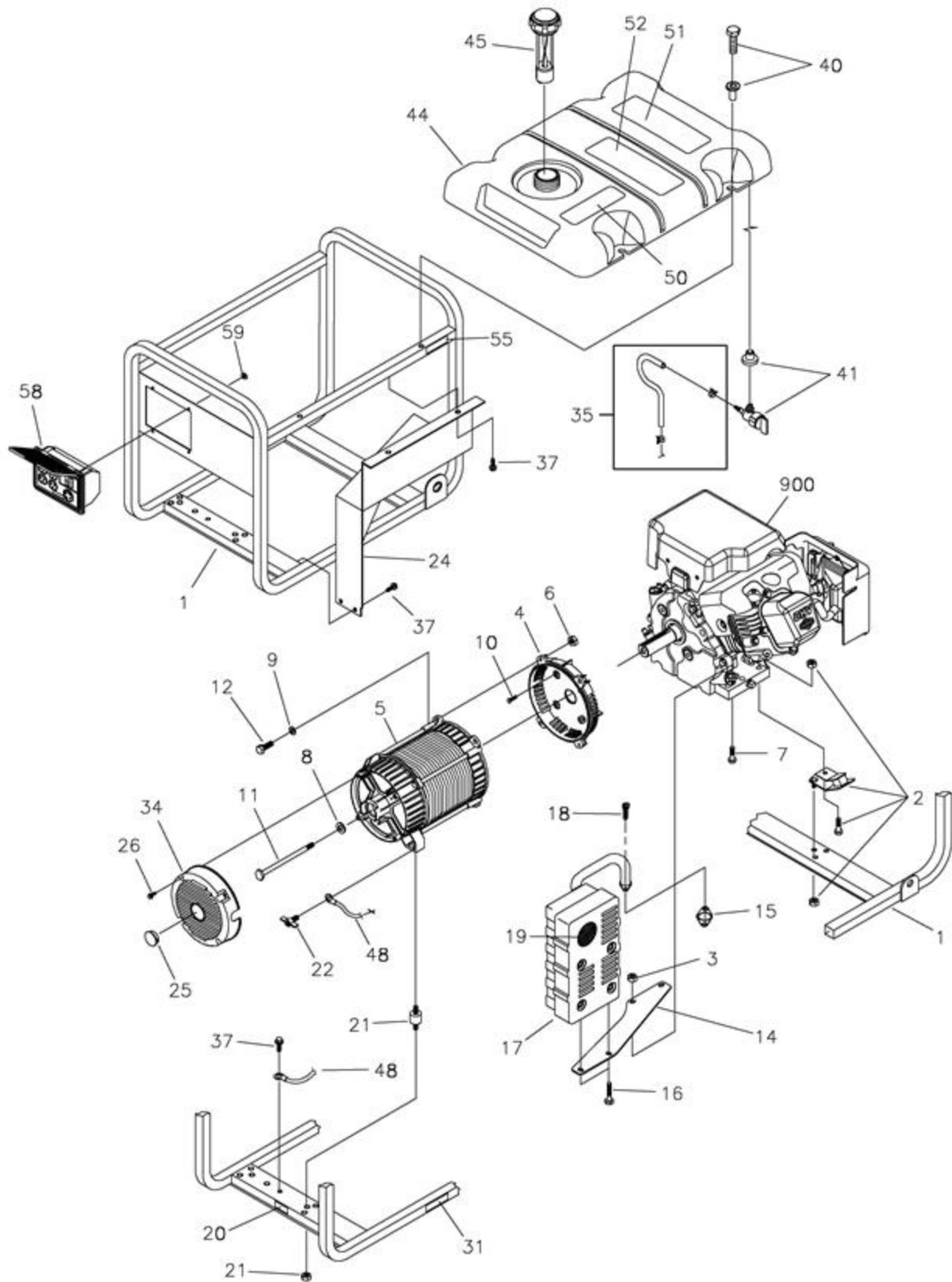


| Ref # | Part # | Description | Qty | Context | Note | Foot | Note |
|--------------|---------------|---------------------------------|------------|----------------|-------------|-------------|-------------|
| 1 | 186059GS | ADAPTER, Mounting,Alternator | | | | | |
| 2 | 191685GS | ROTOR | | | | | |
| 3 | 191686AGS | STATOR | | | | | |
| 4 | 186060GS | RBC, with O-Ring (p/n 189197GS) | | | | | |
| 5 | 86308GS | HHCS, M6 - 1.0 x 115 SEMS | | | | | |
| 6 | 91825GS | ASSY, Holder, Rectifier/Brush | | | | | |
| 7 | 66849GS | TAPTITE, M5 - 0.8 x 16 | | | | | |
| 8 | 22694GS | RECEPTACLE, 6 pin | | | | | |
| 9 | 81917GS | PIN, Roll, 4mm x 10 | | | | | |
| 10 | 193428AGS | ASSY,Wire, Ground | | | | | |
| 13 | 194274GS | HARNESS,Wire, Power | | | | | |
| 14 | 65791GS | BEARING | | | | | |



| Ref # | Part # | Description | Qty | Context Note | Foot Note |
|--------------|---------------|------------------------------|------------|---------------------|------------------|
| 1 | 195112GS | Assy, Control Lid Panel | | | |
| 2 | 196506CGS | Control Panel, Compact | | | |
| 3 | 188890GS | Box, Rear Cover | | | |
| 4 | ----- | Nut, Palnut, Pushnut, 3/16 | | (Purchase locally) | |
| 5 | 68867GS | Outlet, 120/240 Locking, 20A | | | |
| 6 | 63025GS | Outlet, 120V, 15Amp, Duplex | | | |
| 7 | ----- | Nut, Palnut, Pushnut, 5/32 | | (Purchase locally) | |
| 8 | 191479CGS | Breaker, 15, 2P | | | |
| 9 | 192241GS | Screw, Tapping, 3.5 x 14 | | | |
| 10 | 22694GS | Housing, Receptacle | | | |
| 11 | 82308GS | Screw, Tapping, STC 3 x 18 | | | |



| Ref # | Part # | Description | Qty | Context Note | Foot Note |
|-------|-----------|-----------------------------------|-----|---------------------------------|-----------|
| 1 | M194779GS | Kit, Cradle | | (Includes 20, 31 & 55) | |
| 2 | 194150GS | Mount, Vibration | | | |
| 3 | 67989GS | Nut, M8 Flange Serrated | | | |
| 4 | 186058AGS | Housing, Engine Adapter | | | |
| 5 | NSP | Assy, Alternator | | See Alternator | |
| 6 | | Nut, Hex, M8 - 1.25 | | (Purchase locally) | |
| 7 | 195398GS | TPHMS, M8 - 1.25 x 35 | | | |
| 8 | 96796GS | Washer, 8.4 x 22.2 x 3 | | | |
| 9 | | Washer, 5/16 - M8 Lock | | (Purchase locally) | |
| 10 | | HHCS, 5/16-24 x 3/4, Sems | | (Purchase locally) | |
| 11 | 24823GS | HHCS, 5/16-24 x 7-7/8" | | | |
| 12 | | HHCS, M8 - 1.25 x 25 | | (Purchase locally) | |
| 13 | | HHCS, M6 - 1.0 x 12 | | (Purchase locally) | |
| 14 | 191785GS | Bracket, Muffler | | | |
| 15 | 697815 | Gasket, Exhaust | | | |
| 17 | 188301GS | Muffler | | | |
| 18 | | SHCS, M6 - 1.0 x 20 | | (Purchase locally) | |
| 19 | 83083GS | Screen, Spark Arrest | | | |
| 20 | B4986GS | Decal, Ground | | | |
| 21 | 194153GS | Kit, Vibration Mount | | | |
| 22 | 86494GS | Screw, Wing M6 - 1.0 x 16 | | | |
| 24 | 191790GS | Shield, Heat | | | |
| 25 | 191190GS | Cap | | | |
| 26 | 74908GS | Taptite, M5-0.8 x 10 | | | |
| 31 | 191436GS | Decal, Caution Hot Muffler | | | |
| 34 | 195422GS | Cover, RBC, Plastic w/Cap | | | |
| 35 | 195207GS | Kit, Hose Formed | | | |
| 37 | B2153GS | HHCS, 12 - 14 x 7/8" Self Driller | | | |
| 40 | 194398GS | Kit, Fuel Tank Hardware | | (Includes Qty 4) | |
| 41 | 192980GS | Kit, Valve, Tank Fuel Service | | | |
| 44 | 197553GS | Assy., Tank, Fuel | | (Includes Items 41, 50, 51, 52) | |
| 45 | B4363GS | Gauge, Fuel | | | |
| 48 | 195373GS | Wire, Ground | | | |
| 50 | 191437GS | Decal, Fuel Level | | | |
| 51 | 197157GS | Decal, Warning | | | |
| 52 | 189235GS | Decal, Operating Instructions | | | |
| 55 | 197798GS | Decal, Fuel Shut Off | | | |

| Ref # | Part # | Description | Qty | Context Note | Foot Note |
|--------------|---------------|---------------------|------------|-----------------------------|------------------|
| 58 | 196796GS | Assy, Control Panel | | | |
| 59 | | Nut, Palnut | | (Purchase locally) | |
| 900 | | Engine | | Contact Engine Manufacturer | |
| | 196382GS | Manual, Operator`s | | Parts Not Illustrated | |
| | 43483GS | Plug, 250V, 20Amp | | Parts Not Illustrated | |
| | 197554GS | Kit, Decals Service | | Parts Not Illustrated | |