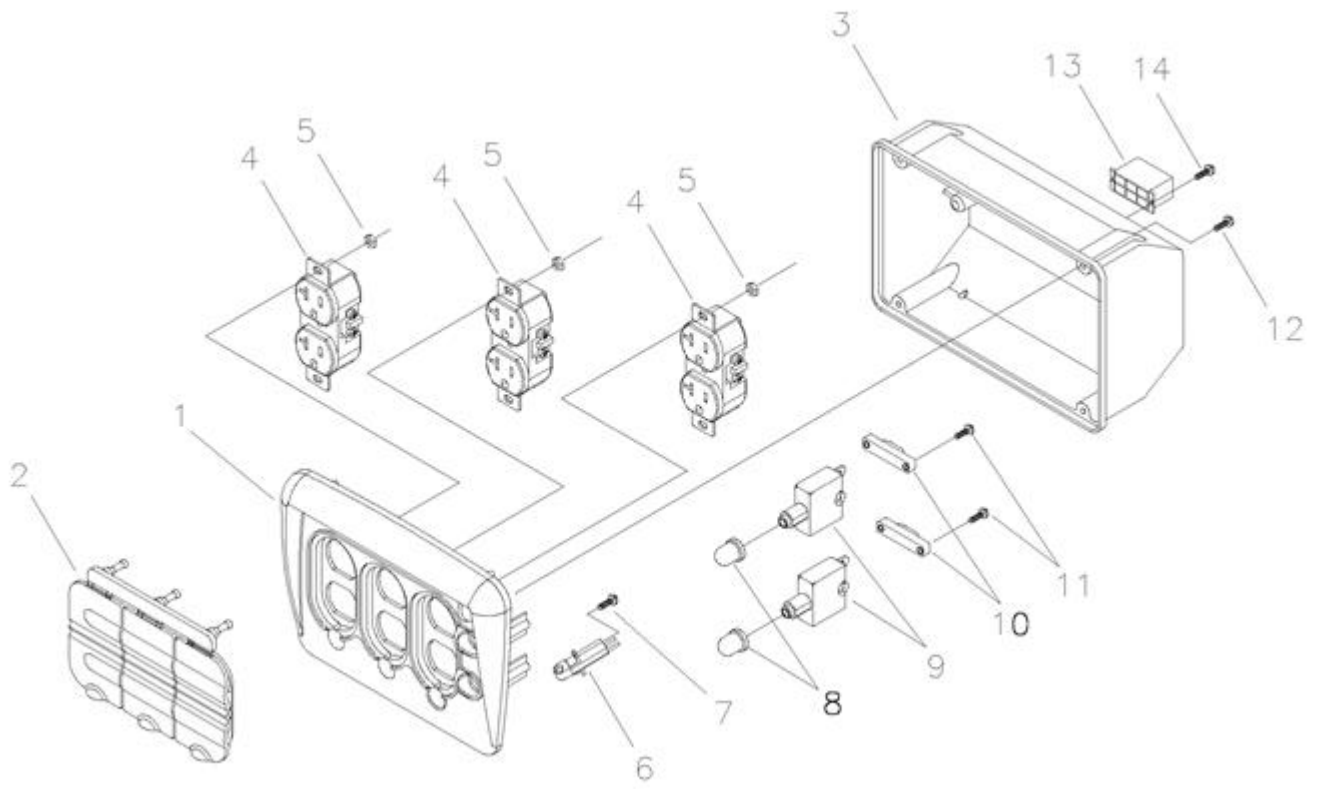
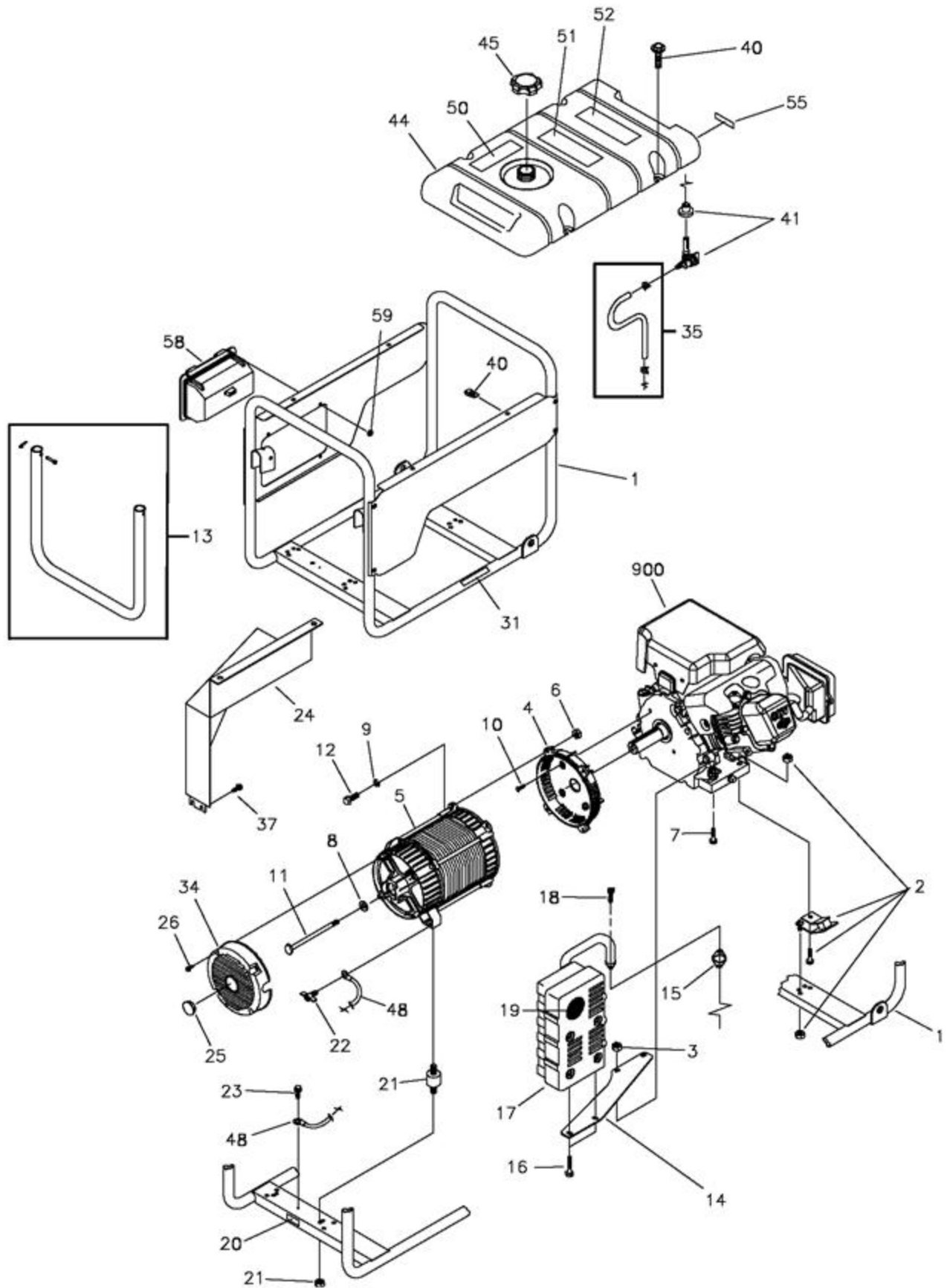


<b>Ref #</b>	<b>Part #</b>	<b>Description</b>	<b>Qty</b>	<b>Context</b>	<b>Note</b>	<b>Foot</b>	<b>Note</b>
1	186059GS	ADAPTER, Mounting,Alternator					
2	191685GS	ROTOR					
3	191686AGS	STATOR					
4	186060GS	RBC, with O-Ring (p/n 189197GS)					
5	86308GS	HHCS, M6 - 1.0 x 115 SEMS					
6	91825GS	ASSY, Holder, Rectifier/Brush					
7	66849GS	TAPTITE, M5 - 0.8 x 16					
8	22694GS	RECEPTACLE, 6 pin					
9	81917GS	PIN, Roll, 4mm x 10					
10	193428AGS	ASSY,Wire, Ground					
13	194274GS	HARNESS,Wire, Power					
14	65791GS	BEARING					

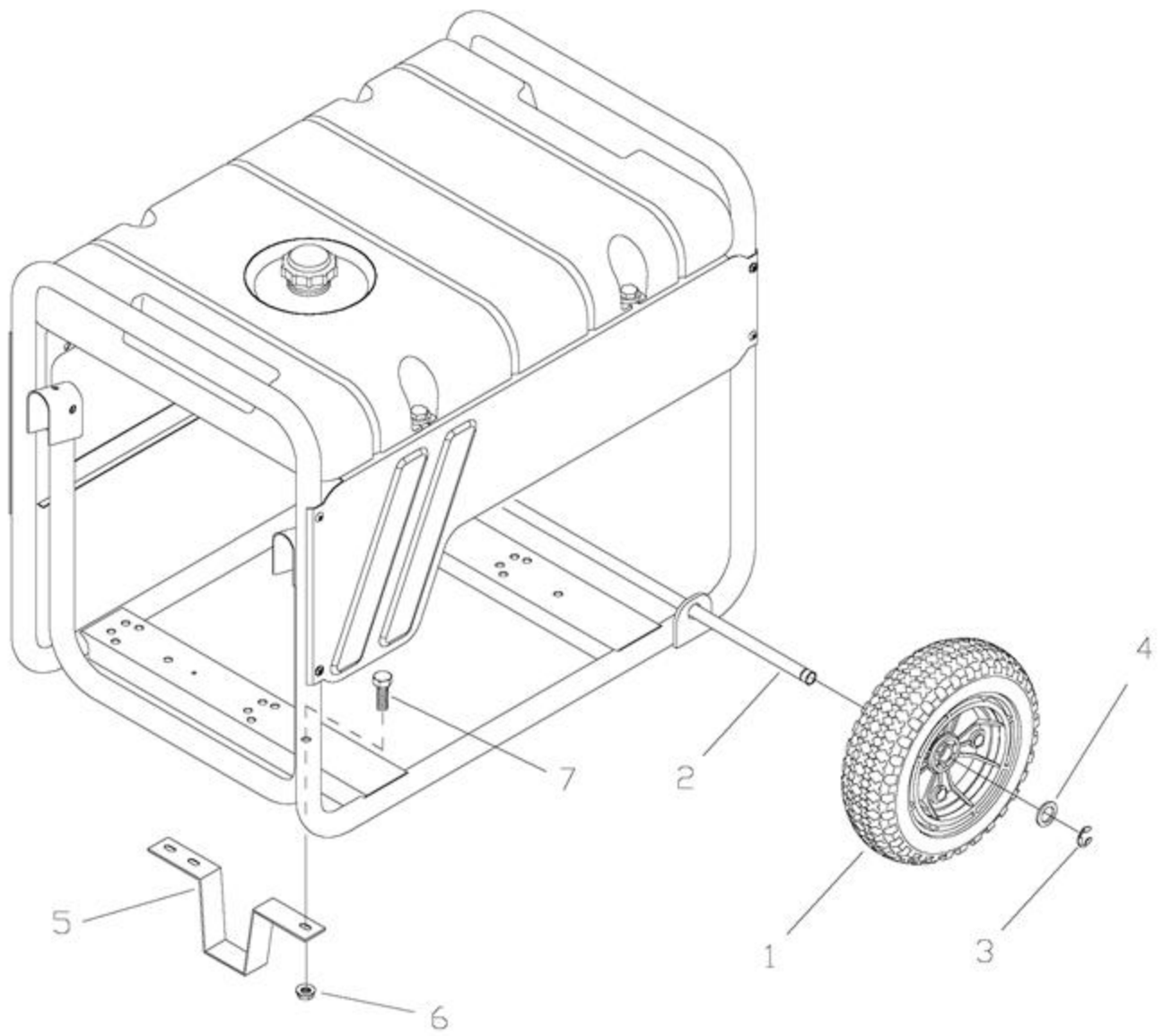


<b>Ref #</b>	<b>Part #</b>	<b>Description</b>	<b>Qty</b>	<b>Context Note</b>	<b>Foot Note</b>
1	196898GS	PANEL, Control			
2	197004GS	COVER, Outlet Flip			
3	188890GS	COVER, Back Panel			
4	197731GS	OUTLET, 120V, 15/20A Dplx			
5	189165GS	NUT, 5/32 Pal			
6	197729GS	MODULE, Led			
7	197958GS	SCREW, 3 x 6,Tapping			
8	84198GS	CAP, Breaker			
9	75207GS	BREAKER, Circuit, 20A			
10	197805GS	BAR, Retaining			
11	-----	PPHMS, M3 - 0.5 x 18		(Purchase locally)	
12	192241GS	SCREW, 3.5 x 14,Tapping			
13	22694GS	HOUSING, Rcptcl, 6 Pin			
14	82308GS	SCREW, 3 x 18,Tapping			



Ref #	Part #	Description	Qty	Context Note	Foot Note
1	200403GS	ASSY, Cradle			
2	194150GS	KIT, Vibration, Mount, 45°			
3	67989GS	NUT, M8 Flange Serrated			
4	186058AGS	HOUSING, Engine Adapter			
5	NSP	ASSY, Alt		(see "Alternator")	
6		NUT, Hex M8 - 1.25		(Purchase locally)	
7		TPHMS, M8 - 1.25 x 35		(Purchase locally)	
8	96796GS	WASHER, M8 Flat			
9		WASHER, Lock 5/16 - M8		(Purchase locally)	
10		HHCS, 5/16-24 x 3/4		(Purchase locally)	
11	24823GS	HHCS, 5/16-24 x 7-7/8"			
12		HHCS, M8 - 1.25 x 25		(Purchase locally)	
13	200404GS	KIT, Handle			
14	191785GS	BRACKET, Muffler			
15	697815	GASKET, Exhaust			
16		HHCS, M6 - 1.0 x 12 w/LW		(Purchase locally)	
17	188301GS	MUFFLER			
18		SHCS, M6 - 1.0 x 20		(Purchase locally)	
19	83083GS	SCREEN, Spark Arrest			
20	B4986GS	DECAL, Ground, Green			
21	194153GS	KIT, Vibration Mount			
22	86494GS	SCREW, Wing M6 - 1.0 x 16			
23	86292GS	SCREW, 10 - 16 x 3/4, Self Drill			
24	198037GS	SHIELD, Heat			
25	191190GS	CAP			
26	74908GS	SCREW, M5-0.8 x 10, Taptite			
31	196830GS	DECAL, Exhaust Warning			
34	195422GS	COVER, Bearing Carrier with Cap			
35	195207GS	KIT, Fuel Hose, Formed			
37	56893GS	CRIMPTITE, 10-24 x 1/2			
40	199433GS	KIT, Fuel Tank Hrdwr w/U-Clips			
	199284GS	U-CLIPS		(Optional Accessory)	
41	192980GS	KIT, Valve, Fuel Tank			
44	198226GS	ASSY, Tank, Fuel		(Includes Items 41, 50, 51, 52 & 55)	
45	90878GS	CAP, Fuel			
48	195373GS	WIRE, Ground			

<b>Ref #</b>	<b>Part #</b>	<b>Description</b>	<b>Qty</b>	<b>Context Note</b>	<b>Foot Note</b>
50	188333GS	DECAL, Gas Fill			
51	194799GS	DECAL, Danger			
52	189235GS	DECAL, Start Instructions			
55	197798GS	DECAL, Shut-Off, Fuel			
58	200430GS	ASSY, Control Panel		(see "Control Panel")	
59		NUT, Palnut, 3/16"		(Purchase locally)	
900		ENGINE		Contact Engine Manufacturer	
	199824GS	MANUAL, Operator`s		Not Illustrated	
	BB3061BGS	BOTTLE, Oil		Not Illustrated	
	199384GS	DECAL, Family, CA EVP		Not Illustrated	
	197474GS	CORDSET, Storm		Not Illustrated	
	200405GS	KIT, Decals		Not Illustrated	
	100031	STABILIZER, Fuel		Optional Accessories	





<b>Ref #</b>	<b>Part #</b>	<b>Description</b>	<b>Qty</b>	<b>Context Note</b>	<b>Foot Note</b>
1	196517GS	WHEEL			
2	191267NGS	AXLE			
3	191265GS	E-RING			
4	-----	WASHER, 5/8"		(Purchase locally)	
5	B1764GS	SUPPORT, Wheel Kit			
6	67989GS	NUT, M8 Flange Serrated			
7	-----	HHCS, M8- 1.25 x 16		(Purchase locally)	