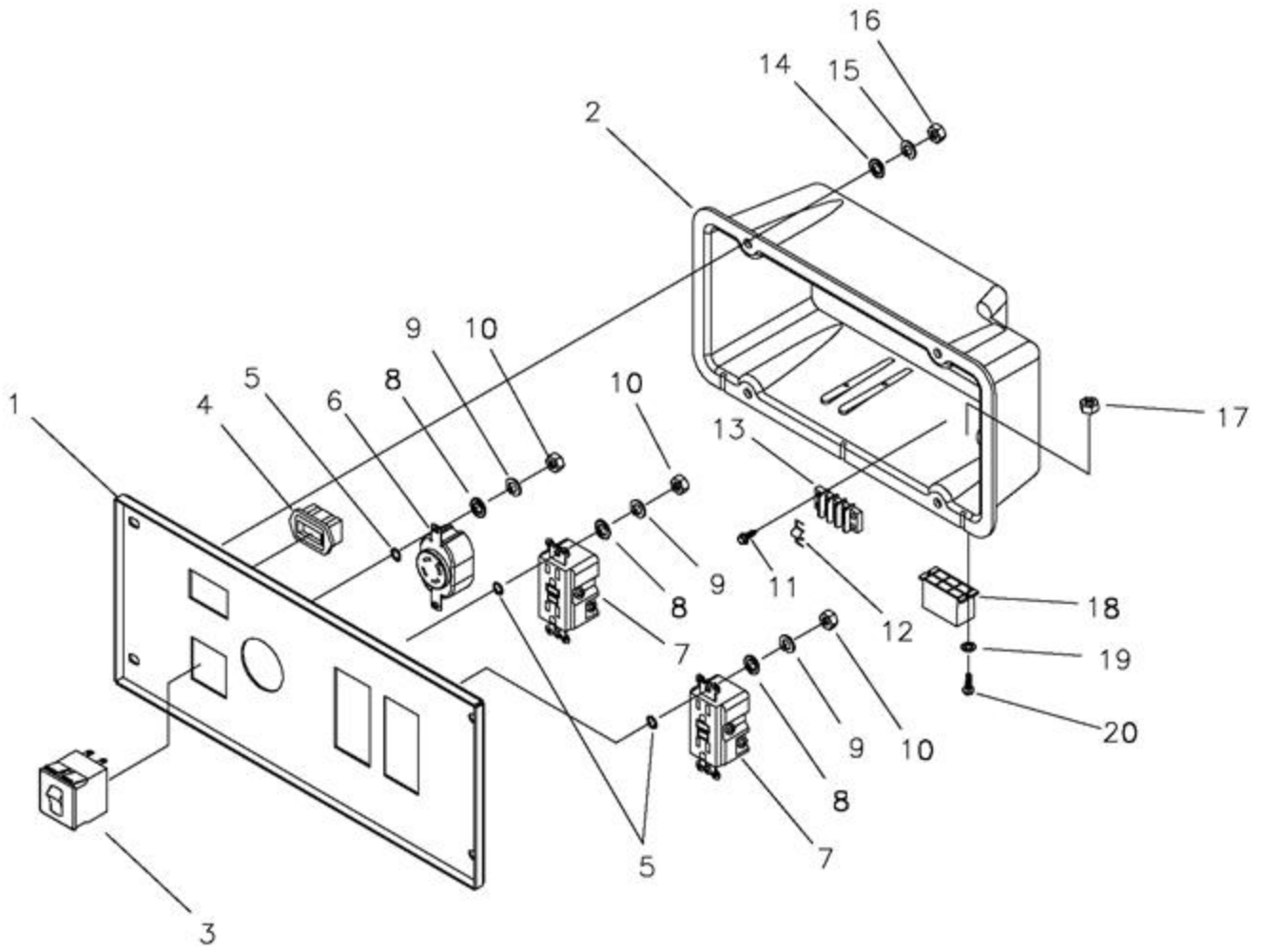
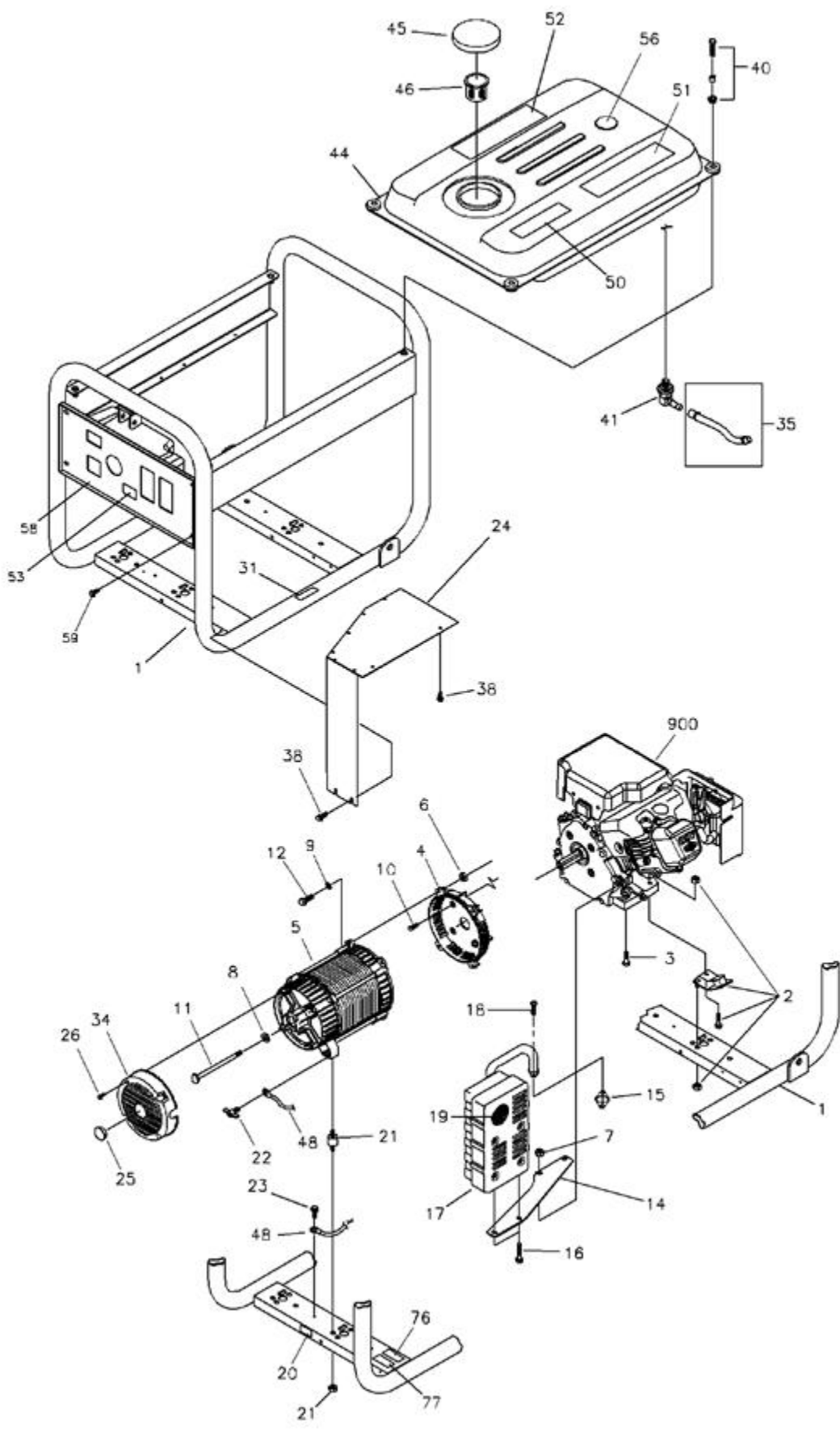


<b>Ref #</b>	<b>Part #</b>	<b>Description</b>	<b>Qty</b>	<b>Context Note</b>	<b>Foot Note</b>
1	186059GS	ADAPTER, Mounting, Alternator			
2	198501GS	ASSY, Rotor		(Includes Item 11)	
3	198500AGS	STATOR			
4	193336GS	RBC, (with O-Ring p/n 189197GS)			
5	86308GS	HHCS, M6 - 1.0 x 115 SEMS			
6	66386GS	ASSY, Holder, Brush			
7	66849GS	TAPTITE, M5 - 0.8 x 16			
8	22694GS	RECEPTACLE, 6 pin			
9	81917GS	PIN, Roll, 4mm x 10			
10	193428AGS	ASSY,Wire, Ground			
11	65791GS	BEARING			
12	189769GS	BOARD, Circuit, System Control, Micro			
	189197GS	O-Ring			

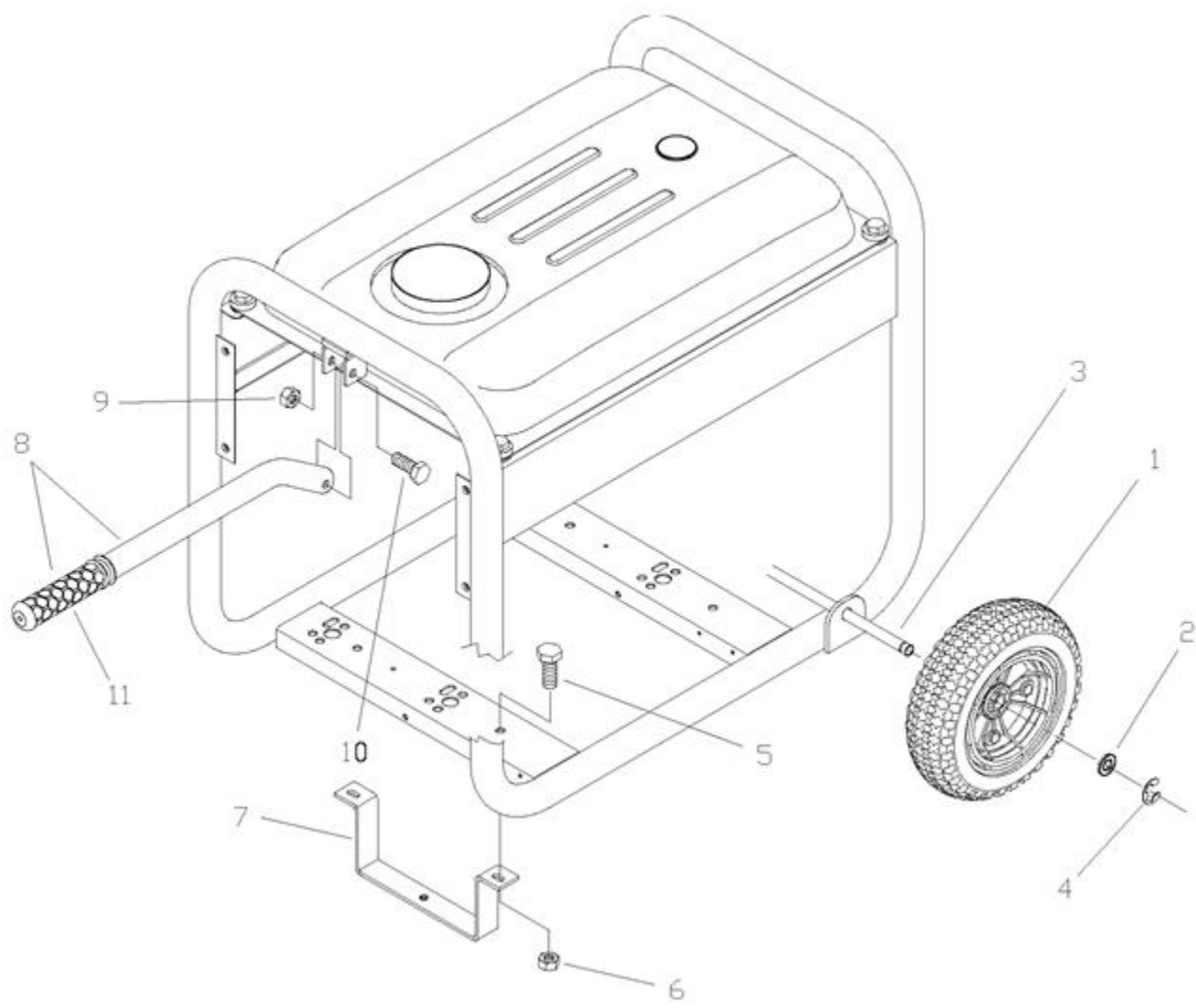


Ref #	Part #	Description	Qty	Context Note	Foot Note
1	198234GS	PANEL, Control			
2	198236GS	BOX, Control Panel			
3	191479CGS	BREAKER, Circuit, 15A			
4	198245GS	METER, Hour			
5	-----	WASHER, Shakeproof, Int. #8		(Purchase locally)	
6	68867GS	OUTLET, 120/240V, 20A			
7	94373GS	OUTLET, 120V, 15A Duplex			
8	-----	WASHER, Flat, M4		(Purchase locally)	
9	-----	WASHER, Lock, M4		(Purchase locally)	
10	-----	NUT, M4 - 0.7		(Purchase locally)	
11	198495GS	SCREW, 4 x 18, Tapping			
12	193095GS	JUMPER, Terminal Block			
13	193427GS	STRIP, Terminal, 3 Pole			
14	-----	WASHER, Flat, M5		(Purchase locally)	
15	-----	WASHER, Lock, M5		(Purchase locally)	
16	-----	NUT, M5 - 0.8		(Purchase locally)	
17	-----	NUT, M3 - 0.5		(Purchase locally)	
18	22694GS	HOUSING, Plug			
19	-----	WASHER, Lock, M3		(Purchase locally)	
20	-----	PPHMS, M3 x 18.0		(Purchase locally)	



Ref #	Part #	Description	Qty	Context Note	Foot Note
1	B198124GS	KIT, Cradle			
2	194150GS	KIT, Vibration Mount			
3	195398GS	TPHMS, M8 - 1.25 x 35			
4	186058AGS	ADAPTER, Engine			
5	NSP	ASSY, Alternator		(see "Alternator")	
6		NUT, Hex M8 - 1.25		(Purchase locally)	
7	67989GS	NUT, M8 Flange Serrated			
8	96796GS	WASHER			
9		WASHER, Lock 5/16 - M8		(Purchase locally)	
10		HHCS, 5/16 -24 x 3/4, Sems		(Purchase locally)	
11	24823GS	HHCS, 5/16 - 24 x 7-7/8"			
12		HHCS, M8 1.25 x 25		(Purchase locally)	
14	191785GS	BRACKET, Muffler			
15	697815	GASKET, Exhaust			
16		HHCS, M6 - 1.0 x 12 w/ LW		(Purchase locally)	
17	188301GS	MUFFLER			
18	40945GS	SHCS, M6 - 1.0 x 20			
19	83083GS	SCREEN, Spark Arrest			
20	B4986GS	DECAL, Ground			
21	194153GS	KIT,Vibration Mount			
22	86494GS	SCREW,Wing M6 - 1.0 x 16			
23	86292GS	SCREW, 10 - 16 x 3/4, Self Drill			
24	198218GS	ASSY,Heat Shield			
25	191190GS	CAP			
26	74908GS	TAPTITE,M5 - 0.8 x 10			
31	200310GS	DECAL,Warning Exhaust			
34	195422GS	COVER, RBC Plastic with Cap			
35	791745	KIT, Fuel Line, (cut to fit)			
38	56893GS	CRIMPTITE,10-24 x 1/2			
40	197618GS	KIT,Fuel Tank Hardware			
41	195590GS	FITTING, Elbow Tank			
44	200539GS	ASSY,Tank Fuel		(Includes Items 41,50, 51 & 52)	
45	189135GS	CAP,Tank Fuel			
46	197499GS	STRAINER,Tank Fuel			
48	195373GS	WIRE, Ground			
50	188333GS	DECAL, Instruction Fuel Level			
51	194984GS	DECAL,Warning			

<b>Ref #</b>	<b>Part #</b>	<b>Description</b>	<b>Qty</b>	<b>Context Note</b>	<b>Foot Note</b>
52	94480GS	DECAL, Start Instructions			
53	200311GS	DECAL, Neutral Bonded			
56	189136GS	GAUGE, Fuel			
58	198235GS	ASSY, Control Panel		(see "Control Panel")	
59	198611GS	PPHS, 1/4 - 20 x 0.5			
76	195940GS	DECAL, Neutral Grnd, Frnch			
77	195459GS	DECAL, Grnd, Neutral			
900		ENGINE		Contact Engine Manufacturer	
	200203GS	MANUAL, Operator`s		Not Illustrated	
	BB3061BGS	BOTTLE, Oil		Not Illustrated	
	198536GS	HARNESS, Wire		Not Illustrated	
	199383GS	DECAL, Family, CA, EVP		Not Illustrated	
	100031	STABILIZER, Fuel		Not Illustrated	
	189714GS	SET, Cord		Not Illustrated	
	198674GS	KIT, Decals Srv		Not Illustrated	





Ref #	Part #	Description	Qty	Context Note	Foot Note
1	197577GS	WHEEL			
2	-----	WASHER, 1/2"		(Purchase locally)	
3	198248GS	AXLE			
4	192050GS	E-RING			
5	-----	HHCS, M8 1.25 x 20		(Purchase locally)	
6	67989GS	NUT, M8, Flange Serrated			
7	198441GS	SUPPORT, Wheel Kit			
8	B198440GS	ASSY, Handle		(Includes Item 11)	
9	49820GS	NUT, M8 1.25 Nylok			
10	-----	HHCS, M8 - 1.25 x 45		(Purchase locally)	
11	189718GS	GRIP			