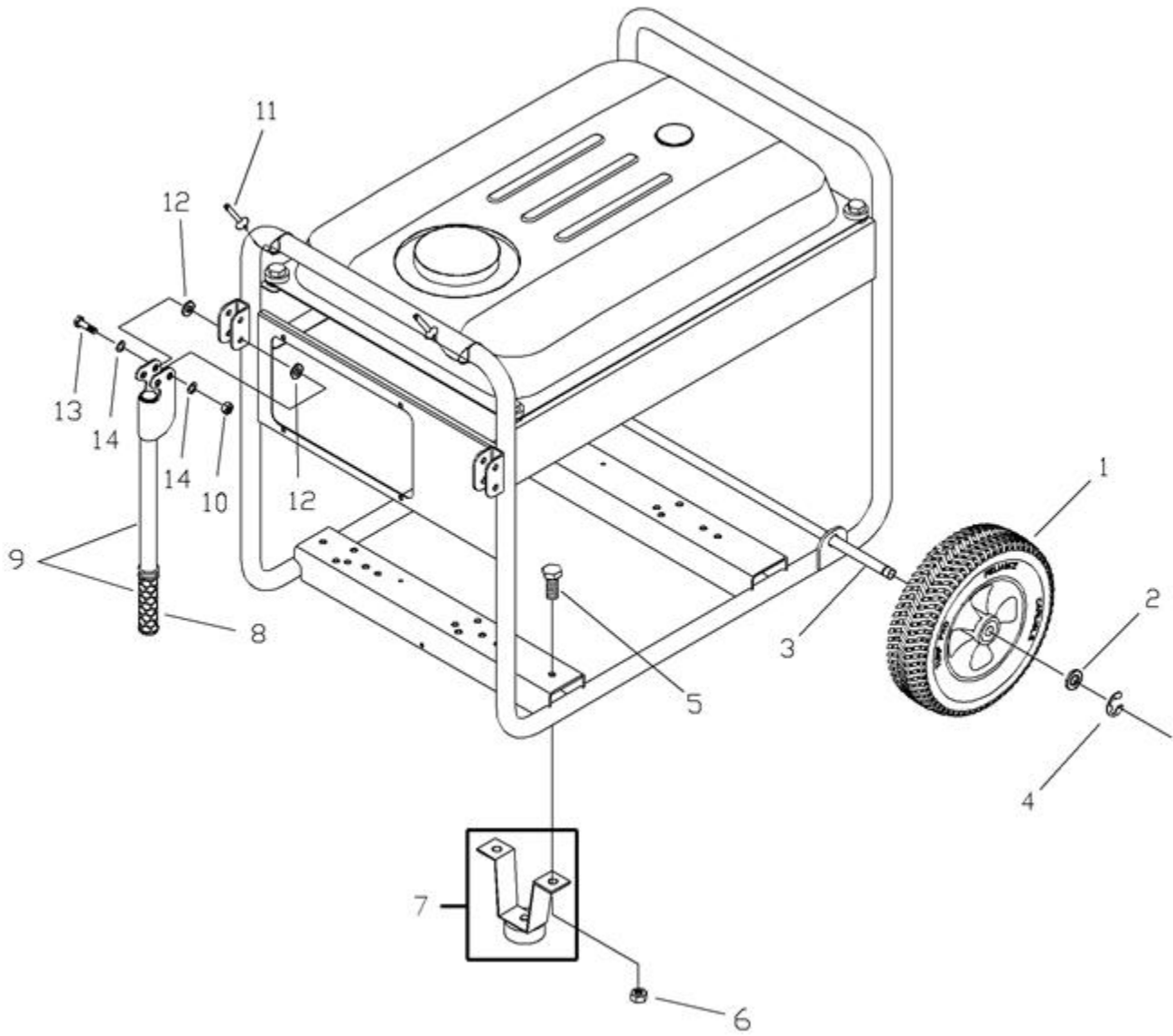


<b>Ref #</b>	<b>Part #</b>	<b>Description</b>	<b>Qty</b>	<b>Context</b>	<b>Note</b>	<b>Foot</b>	<b>Note</b>
1	198468GS	PANEL, Control					
2	197472GS	COVER, Flip Outlets					
3	201573GS	BOX, Control Panel					
4	191481GS	BOOT, Circuit Breaker					
5	202033GS	BREAKER, Circuit, 30A					
6	202951GS	LIGHT, Led Panel					
7	197958GS	SCREW, 3 x 6, Tapping					
8	84198GS	CAP, Breaker, Circuit					
9	202394GS	BREAKER, Circuit, 20A					
10	202932GS	BAR, Retaining					
11	84543BGS	PPPHS, M3-0.5 x 12					
12	204075GS	OUTLET, 120/240V, 30A					
13	189164GS	PALNUT, 3/16					
14	204078GS	OUTLET, 120V, 20A					
15	201678GS	HOUSING, 6-Pin, Plug, Ark-les					
16	204079GS	OUTLET, 120V, 20A					



<b>Ref #</b>	<b>Part #</b>	<b>Description</b>	<b>Qty</b>	<b>Context Note</b>	<b>Foot Note</b>
1	203273GS	WHEEL			
2		WASHER, 5/8"		Purchase locally	
3	191267RGS	AXLE, 5/8"			
4	191265GS	E-RING			
5		HHCS, M8 1.25 x 20		Purchase locally	
6	67989GS	NUT, M8, Flange Serrated			
7	203977GS	ASSY, Support			
8	198669GS	GRIP			
9	B193200GS	ASSY, Handle with Grip			
10		NUT, M8 - 1.25, Nylok		Purchase locally	
11	B4135GS	PIN, Handle			
12		WASHER, 1.2 x 0.346 x 0.03, Nylon		Purchase locally	
13		HHCS, M8 - 1.25 x 45		Purchase locally	
14		WASHER, Flat, 5/16 - M8		Purchase locally	
	203979GS	KIT, Hardware (Includes Items 2, 4, 5, 6, 10, 11, 12, 13 & 14)		Items Not Illustrated	