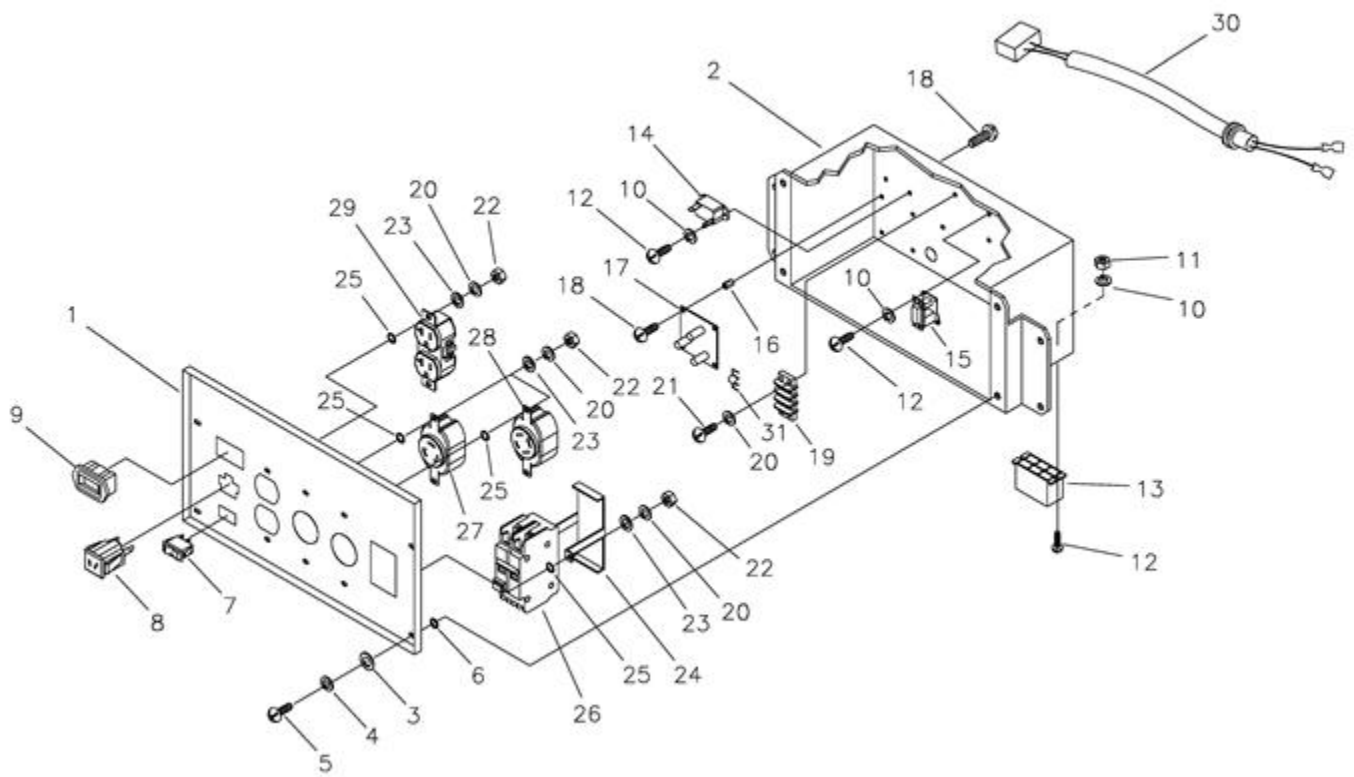
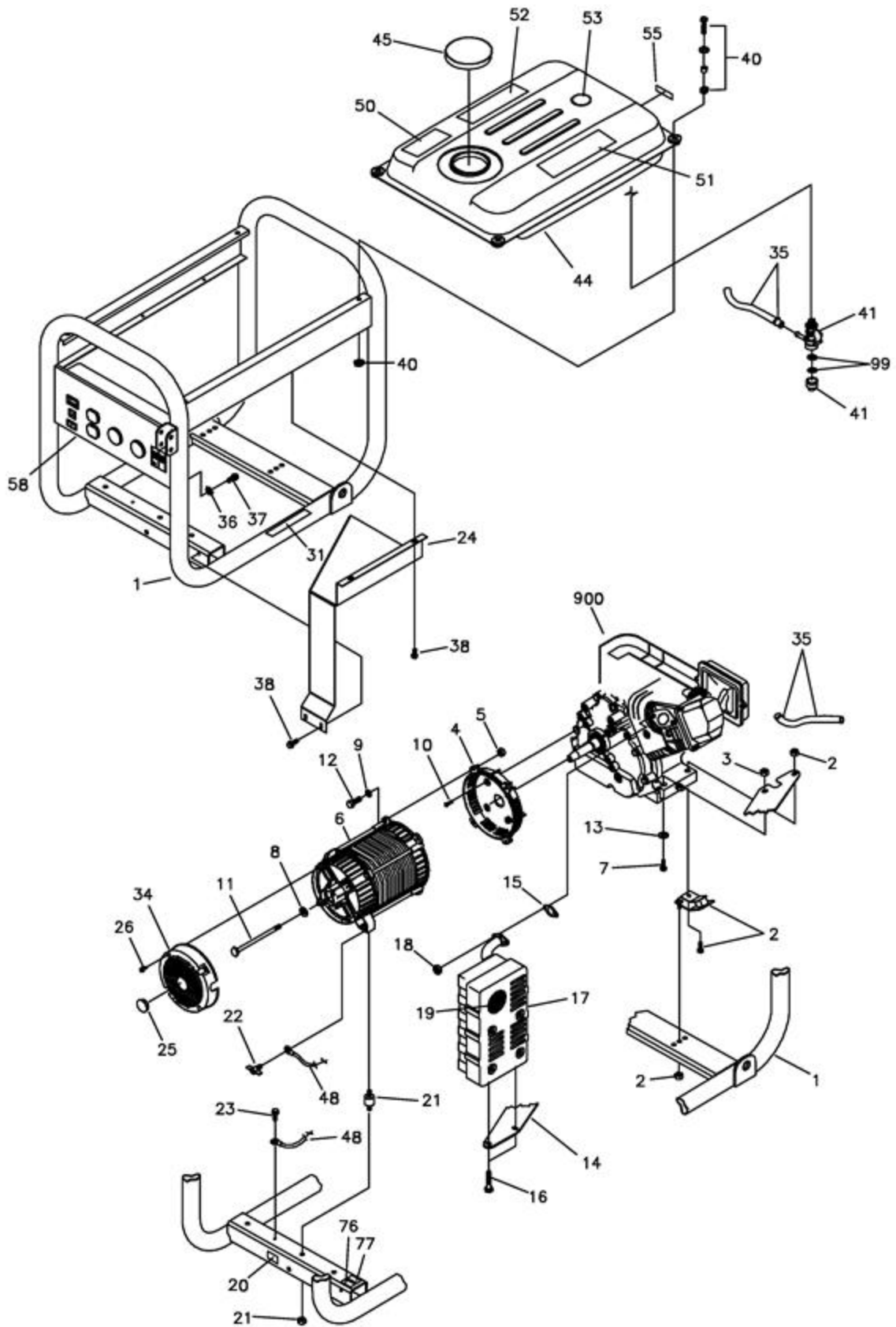


Ref #	Part #	Description	Qty	Context Note	Foot Note
1	186059GS	Adapter, Mounting, Alternator			
2	193034GS	Rotor		Includes Item #18	
3	193035AGS	Stator			
4	186060GS	RBC, With O-Ring		p/n 189197GS	
5	86308GS	HHCS, M6 - 1 x 115 SEMS			
6	66386GS	Assy, Holder, Brush			
7	66849GS	Taptite, M5 - 0.8 x 16			
8	22694GS	Receptacle, 6 Pin			
9	81917GS	Pin, Roll, 4mm x 10			
10	193428AGS	Wire-A, Ground			
13	193157GS	Harness, Wire, Power			
14	189769GS	Regulator			
15	65795GS	Rectifier			
16	66849AGS	Taptite, M5 - 0.8 x 20			
17	192403XGS	Wire, Ground			
18	65791GS	Bearing			

Ref #	Part #	Description	Qty	Context Note	Foc
-------	--------	-------------	-----	--------------	-----

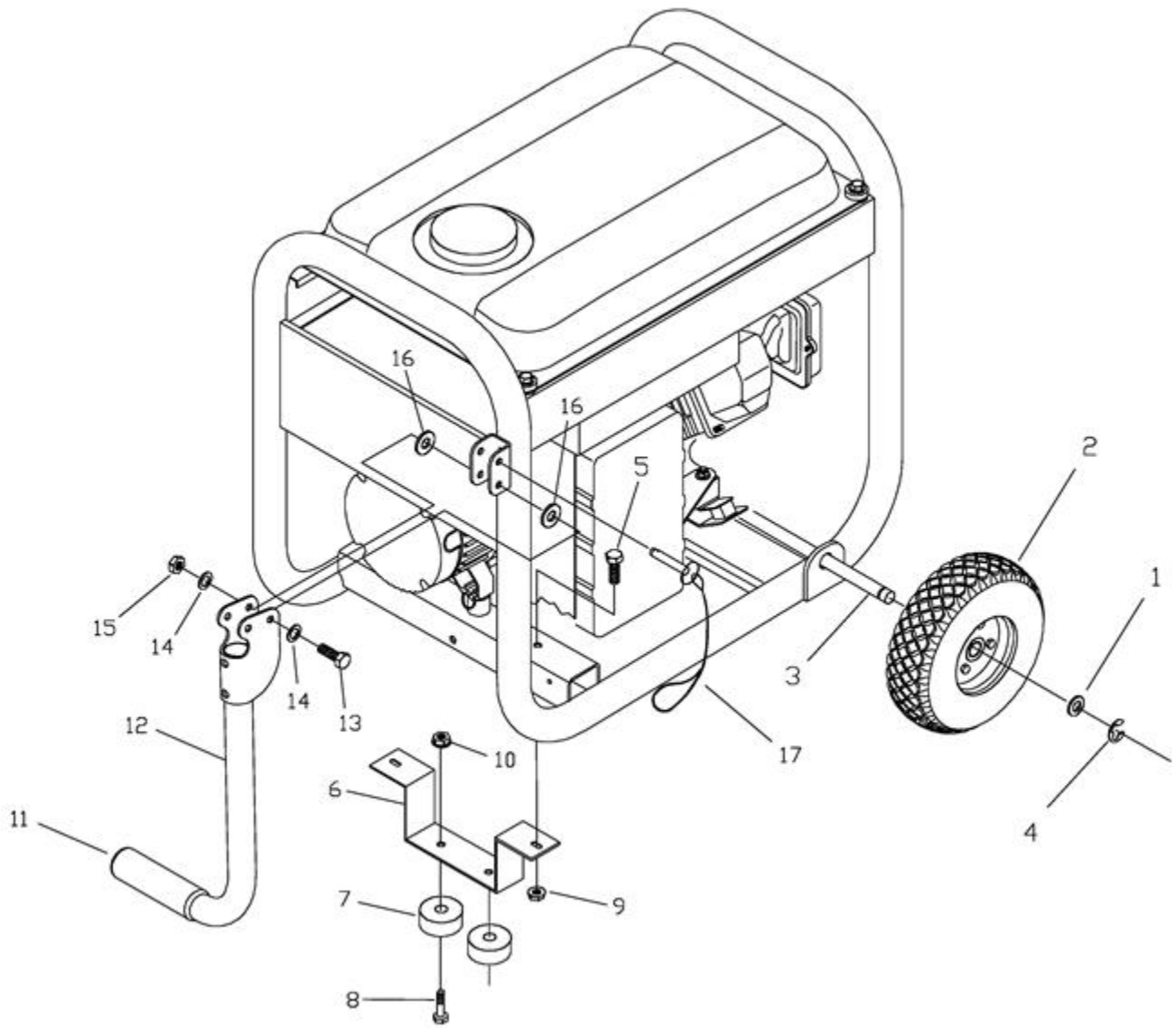


Ref #	Part #	Description	Qty	Context Note	Foc
1	B192832GS	Panel, Control			
2	B192835GS	Box, Control Panel			
3	-----	Washer, Flat, #10 - M5		(Purchase locally)	
4	-----	Lockwasher, M5		(Purchase locally)	
5	-----	PPHMS, M5 - 0.8 x 12		(Purchase locally)	
6	-----	Washer, M6 - 1/4, Int. Shakeproof		(Purchase locally)	
7	82538GS	Switch, Rocker			
8	90418GS	Outlet, 12VDC, Snap			
9	202602GS	Hour Meter			
10	-----	Lockwasher, M3		(Purchase locally)	
11	-----	Nut, M3 - 0.5		(Purchase locally)	
12	-----	PHMS, M3 - 0.5 x 10		(Purchase locally)	
13	22694GS	Housing, Receptacle			
14	87962GS	Circuit Breaker, 12V, 10A			
15	84028GS	Transformer, Idle Control			
16	64525GS	Standoff, Hex			
17	193362GS	PCB, Idle Control			
18	-----	PHTS, #6-32 x 3/8		(Purchase locally)	
19	B5052GS	Strip, Terminal			
20	-----	Lockwasher, M4		(Purchase locally)	
21	-----	PPHMS, M4 - 0.7 x 16		(Purchase locally)	
22	-----	Nut, M4 - 0.7		(Purchase locally)	
23	-----	Washer, Flat, M4		(Purchase locally)	
24	192931GS	Bracket, GFCI Breaker			
25	-----	Washer, Shakeproof, Int. #8		(Purchase locally)	
26	192828BGS	Breaker, Circuit, GFCI, 20A			
27	68868GS	Outlet, 120V, 30A			
28	68867GS	Outlet, 120/240V, 20A			
29	68759GS	Outlet, 120V, 20A, Duplex			
30	193036GS	Harness, Wire			
31	46669GS	Jumper, Terminal Block			



Ref #	Part #	Description	Qty	Context Note	Foot Note
1	B192658GS	Cradle		Includes Items 20, 31, 76 & 77	
2	194150GS	Kit, Mount, Vibration, 45°			
3	67989GS	Nut, M8 Flange Serrated			
4	190220GS	Housing, Engine Adapter			
5	-----	Nut, Hex M8 - 1.25		(Purchase locally)	
6	NSP	Assy, Alternator		Alternator	
7	-----	TPHMS, M8 - 1.25 x 35		(Purchase locally)	
8	96796GS	Washer, M8 Flat			
9	-----	Washer, Lock 5/16 M8		(Purchase locally)	
10	190274DGS	Screw, 3/8-16 x 7/8			
11	53122GS	HHCS, 5/16-24 x 6-1/2			
12	-----	HHCS, M8 1.25 x 25		(Purchase locally)	
13	-----	Washer, 5/16 Flat		(Purchase locally)	
14	193021GS	Bracket, Muffler			
15	710082	Gasket, Exhaust			
16	-----	HHCS, M6 - 1.0 x 12		(Purchase locally)	
17	192898GS	Muffler			
18	710090	Nut			
19	83083GS	Screen, Spark Arrest			
20	B4986GS	Decal, Ground			
21	194153GS	Kit, Vibration Mount			
22	86494GS	Screw, Wing M6 1.0 x 16			
23	86292GS	Screw, 10-16 x 3/4, Self Drill			
24	J193053GS	Shield, Heat			
25	191190GS	Cap			
26	74908GS	Taptite, M5-0.8 x 10			
31	200310GS	Decal, Warning Exhaust			
34	195422GS	Cover, RBC, Plastic with Cap			
35	791745	Kit, Fuel Hose		Cut to Fit	
36	-----	Washer, M6 - 1/4 Int. Shakeproof		(Purchase locally)	
37	B2153GS	Screw, #10 Self Drilling			
38	192376GS	Screw, 12-24 x 1/2 THD Forming			
40	194212GS	Kit, Fuel Tank Hardware		Includes Qty of 4	
41	193272GS	Valve, Tank			
44	195988GS	Assy., Tank, Fuel 4.5-Gallon		Includes Items 41, 50, 51, 52, 53 & 55	
45	189135GS	Cap, Fuel, Vented			

Ref #	Part #	Description	Qty	Context Note	Foot Note
48	195373GS	Wire, Ground			
50	202997GS	Decal, CO Warning			
51	194984GS	Decal, Danger			
52	94480GS	Decal, Start Instructions			
53	189136GS	Gauge, Fuel			
55	197797GS	Decal, Fuel Shutoff			
58	195512GS	Assy, Control Panel			
76	195459GS	Decal, Neutral Ground			
77	195940GS	Decal, Ground French			
99	189759GS	Kit, Fuel Repair Valve			
900	-----	Engine		Contact Engine Manufacturer	
	43483GS	Plug, 250V 20A, 4 Prong		Parts Not Illustrated	
	100523GS	Plug, 125V 30A, 3 Prong		Parts Not Illustrated	
	65787GS	Cable, Battery Charge		Parts Not Illustrated	
	BB3061GS	Oil Bottle		Parts Not Illustrated	
	203336GS	Manual, Operator`s		Parts Not Illustrated	
	203589GS	Kit, Decals Service		Parts Not Illustrated	



Ref #	Part #	Description	Qty	Context Note	Foot Note
1	-----	Washer, 5/8		(Purchase locally)	
2	B4966GS	Wheel			
3	191267PGS	Axle, 5/8" x 22.20"			
4	191265GS	E-Ring, 5/8			
5	-----	HHCS, M8 1.25 x 20		(Purchase locally)	
6	B89595GS	Bracket, Support			
7	87841GS	Vibe Mount			
8	-----	HHCS, 1/4 - 20 x 3/4		(Purchase locally)	
9	67989GS	Nut, M8 Flange Serrated			
10	194005GS	Nut, 1/4 - 20 Flange Nylok			
11	192477GS	Grip			
12	B193166GS	Assy, Handle w/ Grip			
13	-----	HHCS, M8 - 1.25 x 50		(Purchase locally)	
14	-----	Washer, Flat 5/16 - M8		(Purchase locally)	
15	-----	Nut, M8 - 1.25		(Purchase locally)	
16	-----	Washer, 1.2 x .346 x .03 Nylon		(Purchase locally)	
17	B4135GS	Pin, Handle Release			