

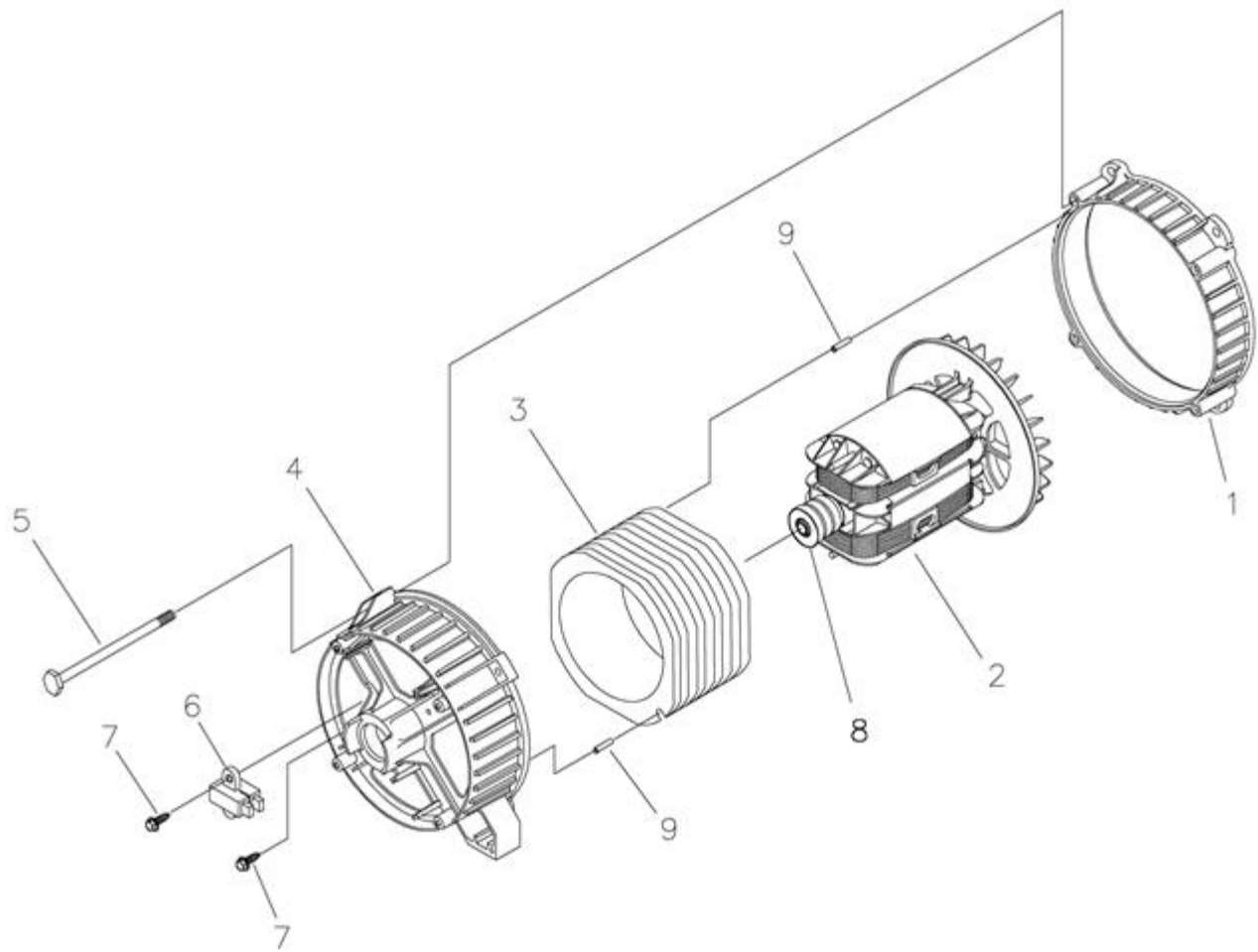
Ref #

Part #

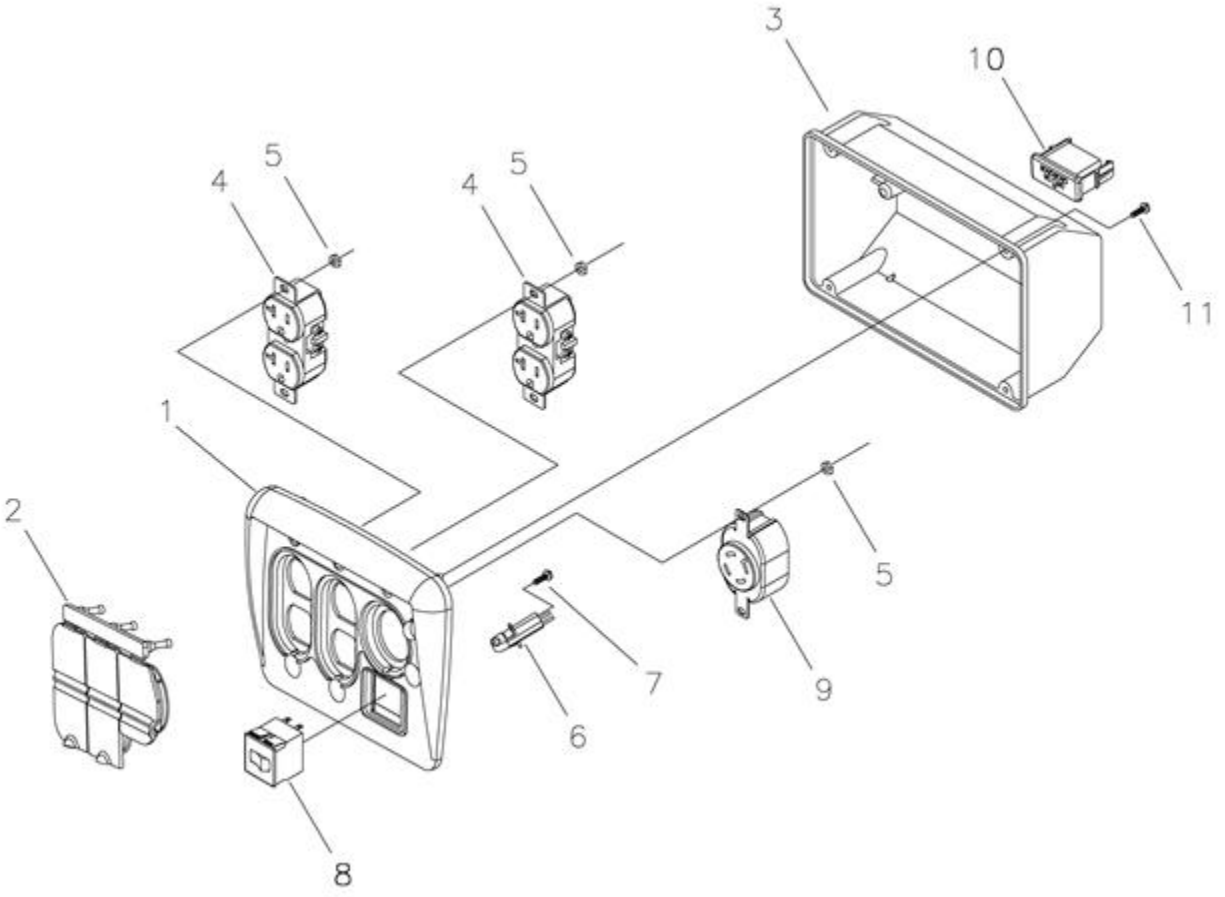
Description

Qty

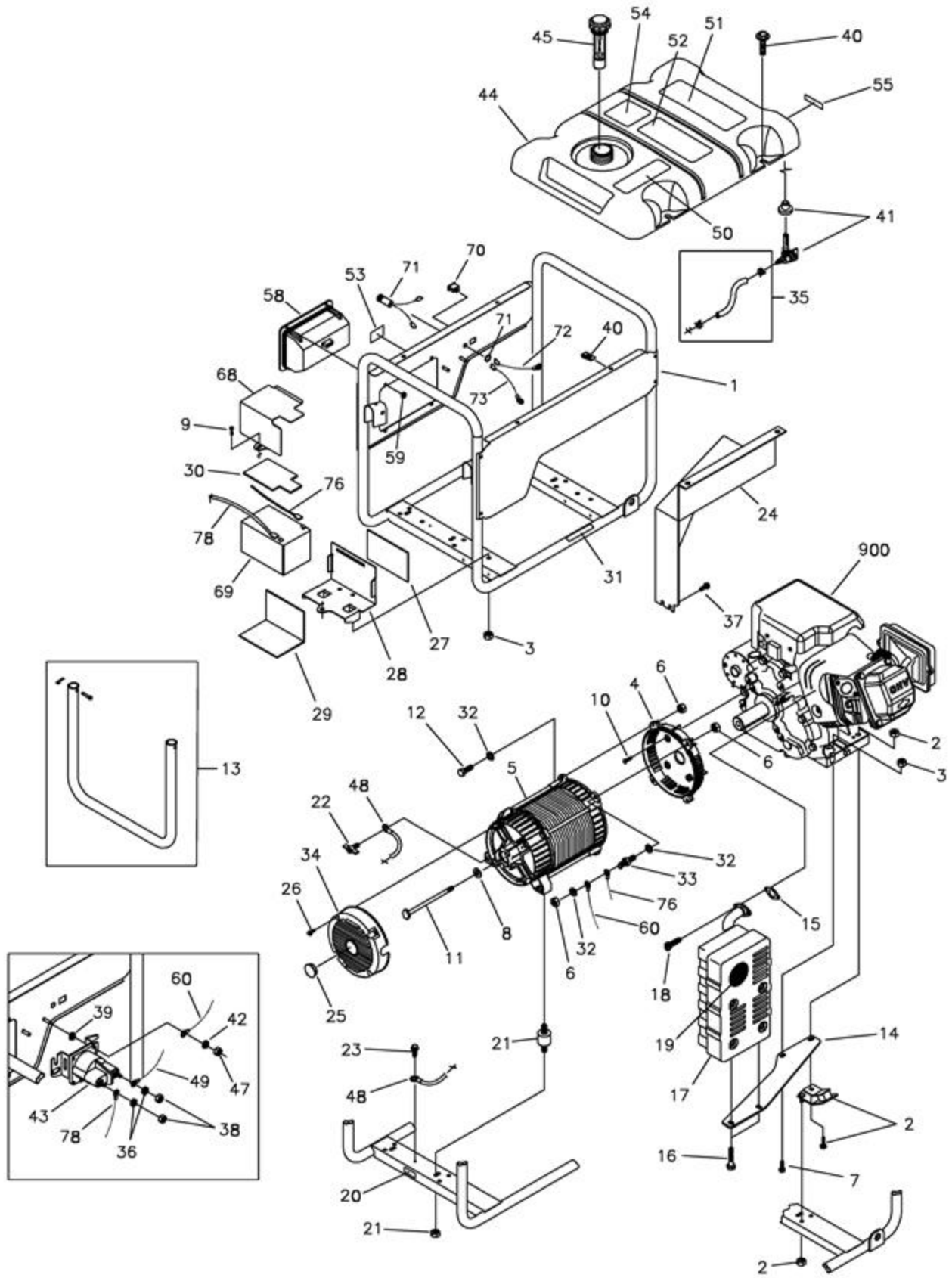
Context



| | Ref # | Part # | Description | Qty | Context |
|---|--------------|-------------------------------|--------------------|------------|----------------|
| 1 | 186059GS | Adapter, Mounting, Alternator | | | |
| 2 | 204105GS | Assy., Rotor | (Includes Item 8) | | |
| 3 | 203936GS | Stator | | | |
| 4 | 186060GS | Rbc, with O-Ring | (p/n 189197) | | |
| 5 | 86308CGS | HHCS, M6 - 1.0 x 130 SEMS | | | |
| 6 | 91825GS | Assy, Holder, Rectifier/Brush | | | |
| 7 | 66849GS | Taptite, M5 - 0.8 x 16 | | | |
| 8 | 65791GS | Bearing | | | |
| 9 | 91551GS | Pin, Groove | | | |

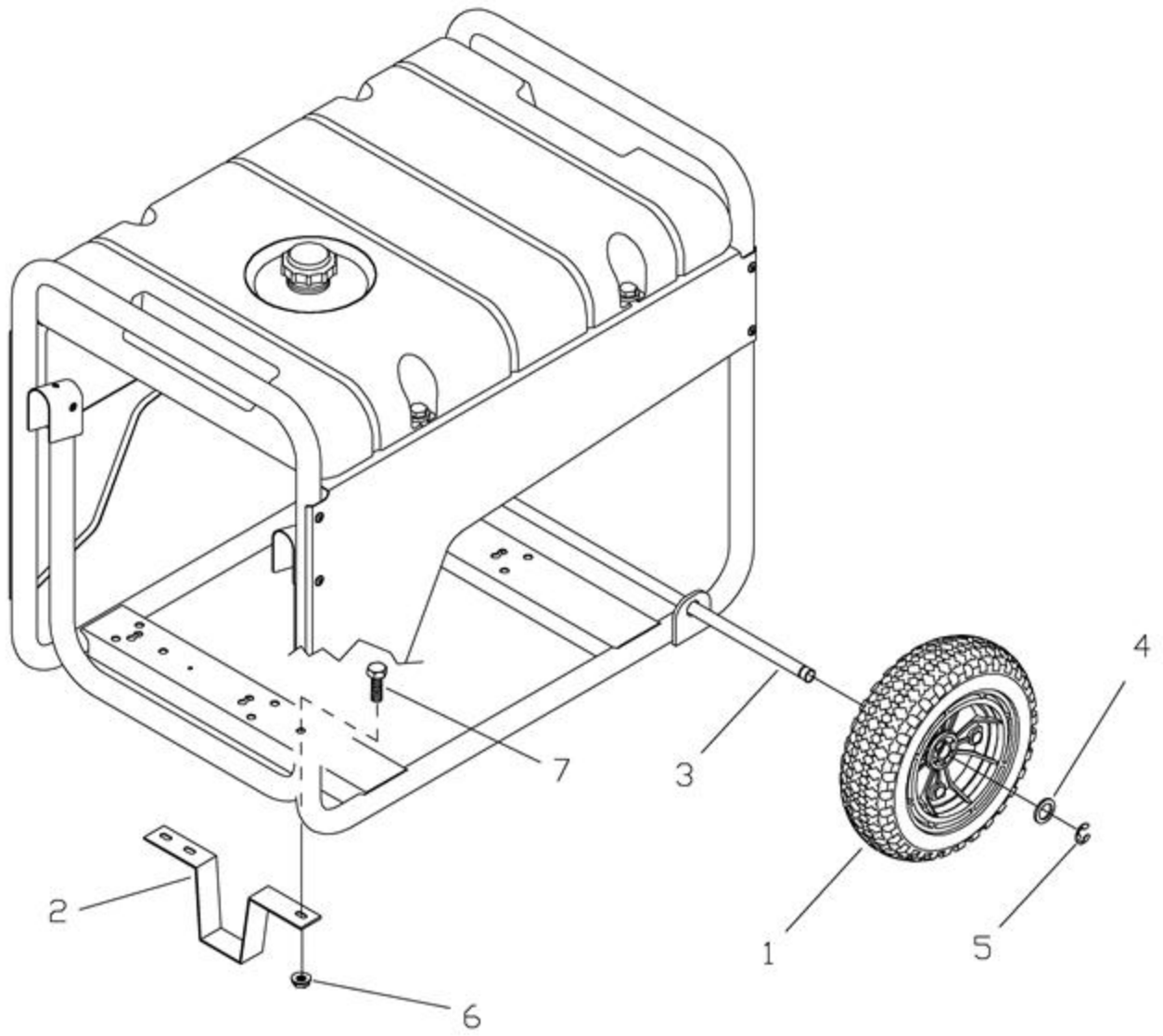


| Ref # | Part # | Description | Qty | Context Note | Foot Note |
|--------------|---------------|-----------------------------|------------|---------------------|------------------|
| 1 | 201571GS | Panel, Control | | | |
| 2 | 197472GS | Cover, Outlet Flip | | | |
| 3 | 201572GS | Cover, Back Panel | | | |
| 4 | 197731GS | Outlet, 120V, 15/20A Duplex | | | |
| 5 | 189164GS | Nut, 3/16 Pal | | | |
| 6 | 202951GS | Module, Led | | | |
| 7 | ----- | Screw, 3 x 6, Tapping | | (Purchase locally) | |
| 8 | 202030GS | Breaker, Circuit, 20A | | | |
| | 191481GS | Boot, Breaker Circuit | | (Not Shown) | |
| 9 | 43437GS | Outlet, 120/240V, 30A | | | |
| 10 | 201678GS | Housing, Receptacle, 6 Pin | | | |
| 11 | ----- | PPPHS, M3 - 0.5 x 12 | | (Purchase locally) | |



| Ref # | Part # | Description | Qty | Context Note | Foot Note |
|-------|-----------|----------------------------------|-----|----------------------------|-----------|
| 1 | 206822GS | Assy, Cradle | | (Includes #'S 20, 31 & 53) | |
| 2 | 194150GS | Kit, Vibration, Mount, 45° | | | |
| 3 | 67989GS | Nut, M8 Flange Serrated | | | |
| 4 | 190220GS | Housing, Engine Adapter | | | |
| 5 | NSP | Assy, Alternator | | See Alternator | |
| 6 | ----- | Nut, Hex M8 - 1.25 | | (Purchase locally) | |
| 7 | ----- | TPHMS, M8 - 1.25 x 35 | | (Purchase locally) | |
| 8 | 96796GS | Washer, 8.4 x 22.2 x 3 | | | |
| 9 | 198611GS | PPHS, 1/4-20 x .05 Trilobular | | | |
| 10 | 190274BGS | SBHCS, 3/8 - 16 x 1 | | | |
| 11 | 47480GS | HHCS, 5/16-24 x 7 | | | |
| 12 | ----- | HHCS, M8 - 1.25 x 25 | | (Purchase locally) | |
| 13 | 198763GS | Kit, Handle | | | |
| 14 | 189009GS | Bracket, Muffler | | | |
| 15 | 695398 | Gasket, Exhaust | | | |
| 16 | ----- | HHCS, M6 - 1.0 x 12 w/LW | | (Purchase locally) | |
| 17 | 189008GS | Muffler | | | |
| 18 | ----- | SHCS, M8 - 1.25 x 20 | | (Purchase locally) | |
| 19 | 83083GS | Screen, Spark Arrest | | | |
| 20 | B4986GS | Decal, Ground, Green | | | |
| 21 | 194153GS | Kit, Vibration Mount | | | |
| 22 | 86494GS | Screw, Wing M6 - 1.0 x 16 | | | |
| 23 | B2153GS | Screw, 12 - 14 x 7/8, Self Drill | | | |
| 24 | 197424GS | Shield, Heat | | | |
| 25 | 191190GS | Cap | | | |
| 26 | 74908GS | Screw, M5-0.8 x 10, Taptite | | | |
| 27 | 199228GS | Insulation | | | |
| 28 | 198700GS | Kit, Battery Tray w/Insulation | | | |
| 29 | 199156GS | Insulation | | | |
| 30 | 199157GS | Insulation | | | |
| 31 | 200310GS | Decal, Exhaust Warning | | | |
| 32 | ----- | Washer, Lock 5/16 - M8 | | (Purchase locally) | |
| 33 | 187117GS | Stud, Double | | | |
| 34 | 195422GS | Cover, Rbc, Plastic with Cap | | | |
| 35 | 791745 | Kit, Fuel Hose, w/Clamps | | | |
| 36 | ----- | Washer, Lock, 1/4 | | (Purchase locally) | |
| 37 | 56893GS | Crimptite, 10-24 x 1/2 | | | |

| Ref # | Part # | Description | Qty | Context Note | Foot Note |
|--------------|---------------|--------------------------------------|------------|---|------------------|
| 38 | ----- | Nut, 1/4-20 | | (Purchase locally) | |
| 39 | ----- | Washer, Shakeproof, Ext. M6 1/4 | | (Purchase locally) | |
| 40 | 199433GS | Kit, Fuel Tank Hardware w/U-Clips | | | |
| | 199284GS | U-Clips, | | (Optional Accessory) | |
| 41 | 192980GS | Kit, Valve, Fuel Tank | | | |
| 42 | ----- | Washer, M6 Lock | | (Purchase locally) | |
| 43 | 691656 | Solenoid | | | |
| 44 | 200814GS | Assy., Tank, Fuel | | (Includes Items 41, 50, 51, 52, 54 & 55) | |
| 45 | B4363GS | Cap, Fuel Gauge | | | |
| 47 | ----- | Nut, Hex, M6 - 1.0 | | (Purchase locally) | |
| 48 | 195373GS | Wire, Ground | | | |
| 49 | 185931KGS | Wire | | | |
| 50 | 188333GS | Decal, Gas Fill | | | |
| 51 | 194984GS | Decal, Danger | | | |
| 52 | 94480GS | Decal, Start Instructions | | | |
| 53 | 200311GS | Decal, Neutral Bonded | | | |
| 54 | 202997GS | Decal, Co Warning | | | |
| 55 | 197798GS | Decal, Shut-Off, Fuel | | | |
| 58 | 201575GS | Assy, Control Panel | | | |
| 59 | ----- | Nut, Palnut, 3/16" | | (Purchase locally) | |
| 60 | 198871EGS | Wire | | | |
| 68 | 199150GS | Kit, Battery Cover w/Insulation | | | |
| 69 | 198711GS | Battery | | | |
| 70 | 87799GS | Switch, Rocker | | | |
| 71 | 198925GS | Assy, Jack Coaxial | | | |
| 72 | 198871LGS | Wire | | | |
| 73 | 198871KGS | Wire | | | |
| 76 | 185931LGS | Wire, Battery Negative | | | |
| 78 | 185931JGS | Wire, Battery Positive | | | |
| 900 | ----- | Engine | | Contact Engine Manufacturer | |
| | 206590GS | Manual, Operator's | | Parts Not Illustrated | |
| | B4177GS | Charger, Battery | | Parts Not Illustrated | |
| | BB3061GS | Oil Bottle | | Parts Not Illustrated | |
| | 206818GS | Kit, Decals, Service | | Parts Not Illustrated | |



| Ref # | Part # | Description | Qty | Context Note | Foot Note |
|--------------|---------------|---------------------------|------------|-----------------------|------------------|
| 1 | 196517GS | Wheel | | | |
| 2 | B1764GS | Support, Wheel Kit | | | |
| 3 | 191267HGS | Axle | | | |
| 4 | ----- | Washer, 5/8" | | (Purchase locally) | |
| 5 | 191265GS | E-Ring | | | |
| 6 | 67989GS | Nut, M8 - Flange Serrated | | | |
| 7 | ----- | HHCS, M8 - 1.25 x 16 | | (Purchase locally) | |
| | 197594GS | Subkit, Hardware | | Parts Not Illustrated | |