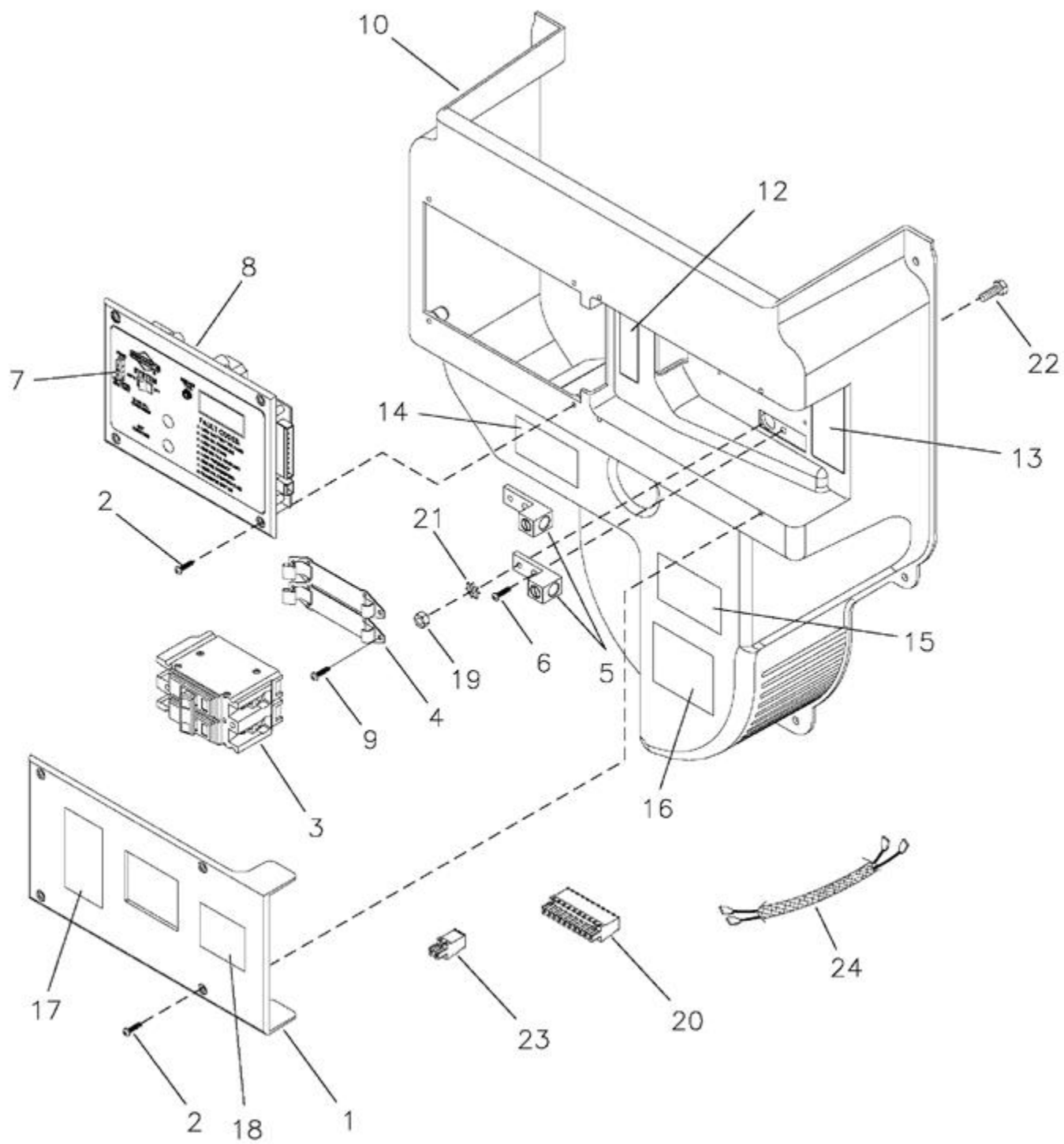
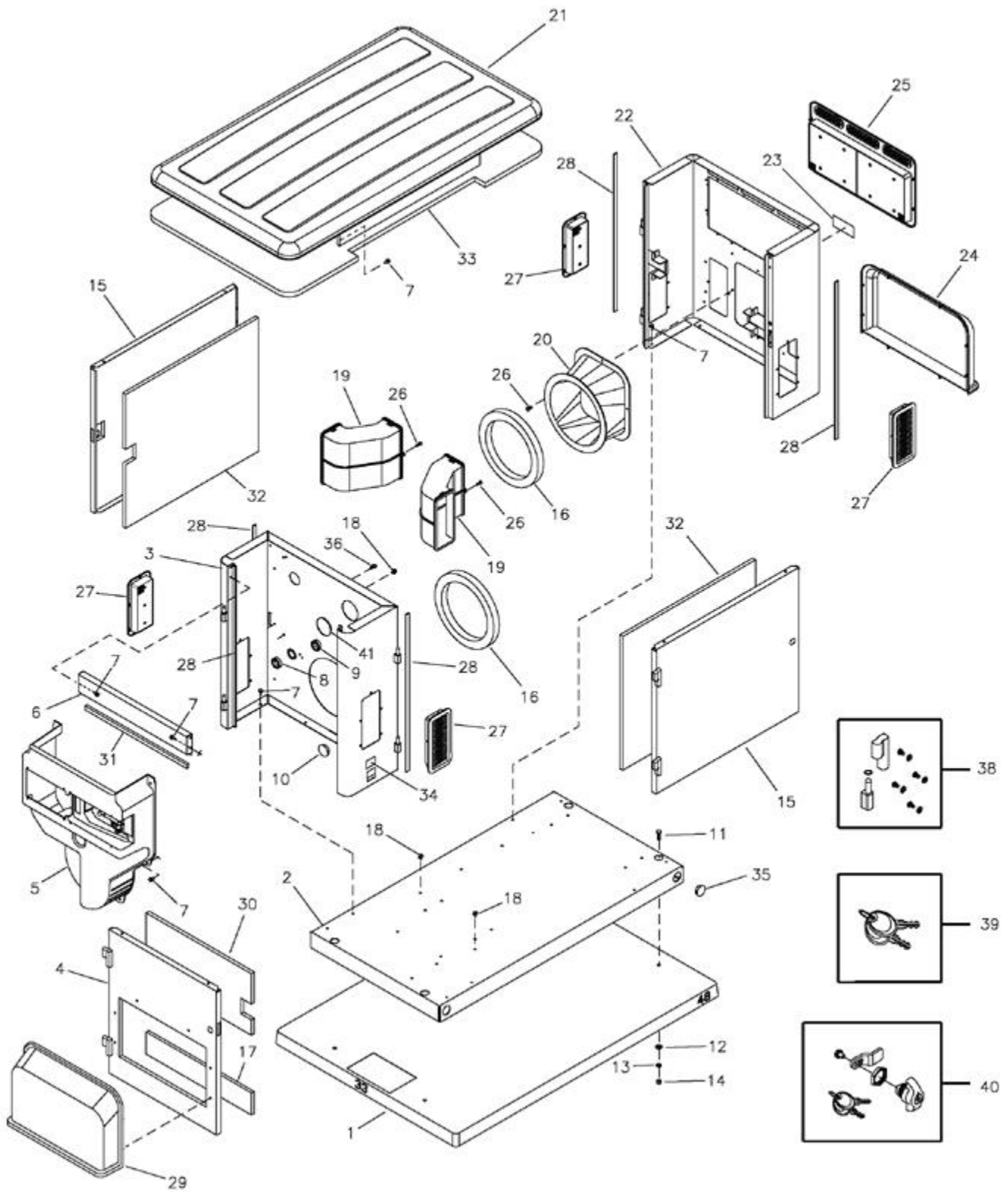


Ref #	Part #	Description	Qty	Context Note	Foot Note
1	192970GS	ADAPTER, Engine			
2	192973GS	GRID			
3	209142GS	BOLT			
4	31183GS	SCREW			
5	192969GS	STATOR			
6	192962GS	PLUG			
7	192966GS	COVER, Rear Bearing			
9	192967GS	COVER, Capacitor			
10	192968GS	BLOCK, Terminal			
11	-----	* WASHER, Flat, #10-M5			* Items without part numbers are common fasteners and are available at your local hardware store.
12	-----	* NUT, 10-32			* Items without part numbers are common fasteners and are available at your local hardware store.
13	312699GS	CAPACITOR			
14	-----	* SCREW, Phillips Head, 10-32 x 3/4			* Items without part numbers are common fasteners and are available at your local hardware store.
15	192972GS	DIODE			
16	192971GS	ROTOR			
17	-----	* SCREW, M8 x 1.25 x 35mm			* Items without part numbers are common fasteners and are available at your local hardware store.
18	-----	* WASHER, Shakeproof, EXT. M6-1/4			* Items without part numbers are common fasteners and are available at your local hardware store.
19	-----	* NUT, 1/4-20			* Items without part numbers are common fasteners and are available at your local hardware store.
20	206897GS	FAN			
21	206927GS	RING, Fixing			
22	206594GS	BEARING			



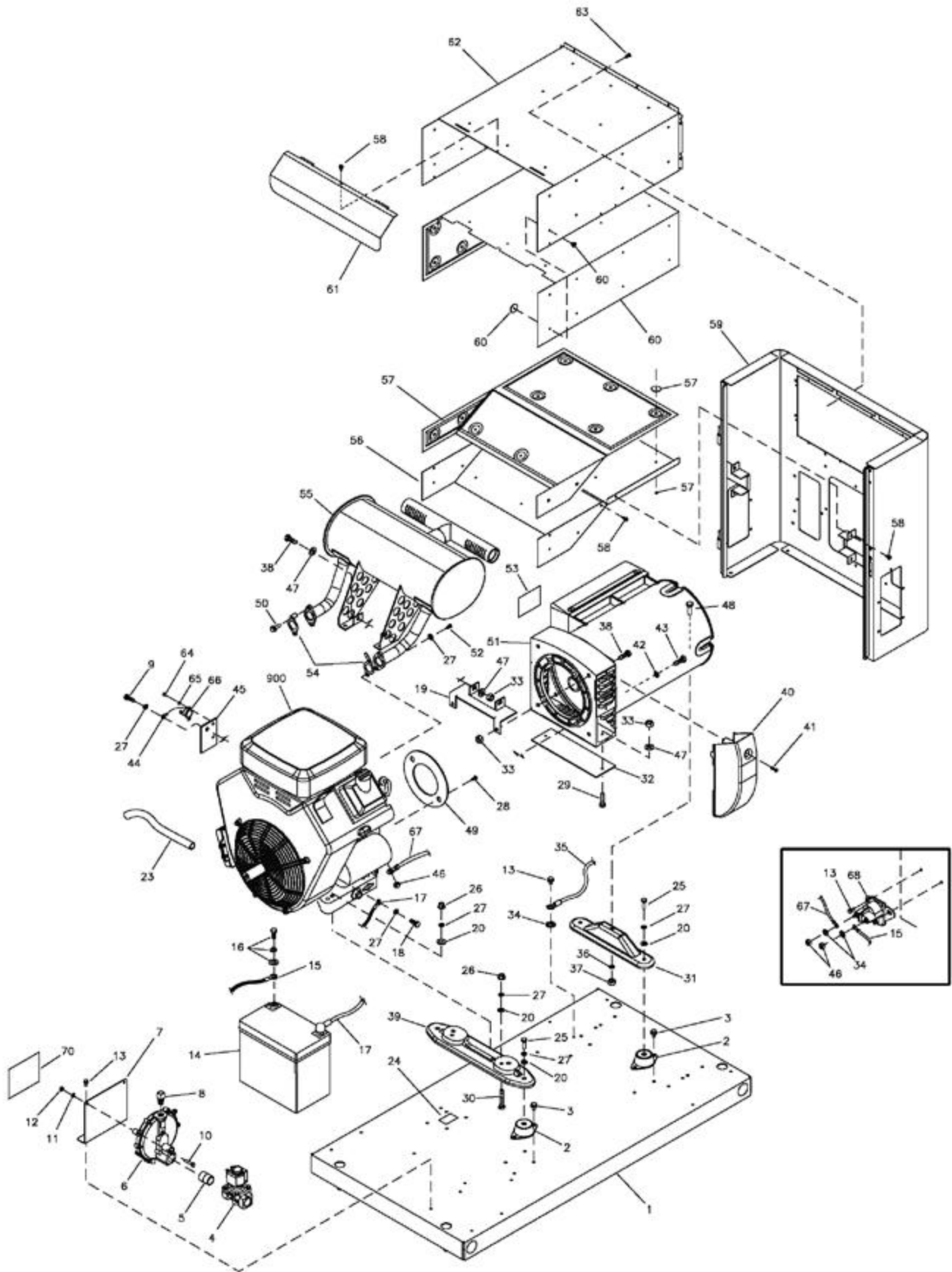
Ref #	Part #	Description	Qty	Context Note	Foot Note
1	198911GS	COVER			
2	-----	*CAPSCREW, Plastite, 10 x 5/8			*Items without part numbers are common fasteners and are available at local hardware stores.
3	201089GS	BREAKER, Circuit 60A, 2P			
4	192770GS	BRACKET, Mounting Breaker			
5	199011GS	LUG			
6	191991GS	CAPSCREW, Plastite, 1/4-10 x 1			
7	198573GS	FUSE, Auto Type 15 Amp			
8	196655GS	CONTROL PANEL ASSEMBLY			
9	197492GS	SCREW, Pt, M4 - 1.79 x 16.0			
10	198910GS	DUCT			
12	198549GS	DECAL, Terminal Block			
13	198550GS	DECAL, Ground, Neutral			
14	205393GS	DECAL, Warning, Outdoor Install			
15	193297GS	DECAL, Caution, Standby			
16	205392GS	DECAL, Warning, Auto Start			
17	205394GS	DECAL, Caution, Electric Shock			
18	205395GS	DECAL, Warning Shock			
19	-----	*NUT, 1/4 - 20			*Items without part numbers are common fasteners and are available at local hardware stores.
20	198516GS	CONNECTOR, Terminal, 10 Pin		(Not Illustrated)	
21	-----	*WASHER, Shakeproof, Ext M6 1/4			*Items without part numbers are common fasteners and are available at local hardware stores.
22	-----	*CAPSCREW, Hex Head, 1/4 - 20 x 3/4			*Items without part numbers are common fasteners and are available at local hardware stores.
23	198517GS	WIRING HARNESS		(Not Illustrated)	
24	198515GS	CONNECTOR, Terminal, 2 Pin		(Not Illustrated)	

Ref #	Part #	Description	Qty	Context Note	Foot Note
--	201090GS	WIRING HARNESS		(Not Illustrated)	



Ref #	Part #	Description	Qty	Context Note	Foot Note
1	197275GS	PAD, Mounting w/ Holes			
2	T203030GS	BASE			
3	198915GS	BULKHEAD, Engine			
--	----	BULKHEAD, Engine			
--	----	DECAL			
--	----	SEAL, Foam			
--	----	SEAL, Foam			
--	----	KIT, Plugs			
--	----	PIN			
4	198891GS	DOOR			
--	----	WELDMENT			
--	----	INSULATION			
--	----	HINGES			
5	198910GS	DUCT			
--	----	DECAL			
--	----	LUG			
--	----	BRACKET			
6	198917GS	SUPPORT, Rail			
--	----	SUPPORT, Rail			
--	----	SEAL, Foam			
--	----	DECAL			
7	B4300GS	BOLT			
8	186173GS	BUSHING, Snap			
9	197493GS	BUSHING, Snap			
10	198461GS	PLUG, Hole			
11	----	*CAPSCREW, Hex Head, 3/8-16 x 1			*Items without part numbers are common fasteners and are available at local hardware stores.
12	----	*WASHER, Flat, 3/8-M10			*Items without part numbers are common fasteners and are available at local hardware stores.
13	----	*WASHER, Lock, 3/8			*Items without part numbers are common fasteners and are available at local hardware stores.
14	----	*NUT, 3/8-16			*Items without part numbers are common fasteners and are available at local hardware stores.
15	198892GS	DOOR			
--	----	WELDMENT			
--	----	INSULATION			

Ref #	Part #	Description	Qty	Context Note	Foot Note
--	-----	HINGES			
--	-----	DECAL			
16	199629GS	SEAL, Foam			
17	203303GS	INSULATION			
18	195733GS	MOUNT, Tie Wrap			
19	195935GS	DUCT			
20	203029GS	ADAPTER, Alternator			
21	198893GS	DOOR			
--	-----	WELDMENT			
--	-----	INSULATION			
22	201281GS	BULKHEAD, Alternator			
--	-----	DECAL			
--	-----	SEAL, Foam			
--	-----	PIN			
--	-----	BRACKET, Muffler			
23	200409GS	DECAL			
24	194679GS	COVER, Air Intake			
25	198926GS	VENT			
26	B1797GS	CLIP			
27	198927GS	VENT			
28	198888GS	SEAL, Foam			
29	194694GS	COVER, Air Intake			
30	203302GS	INSULATION			
31	197312GS	SEAL, Foam			
32	196397GS	INSULATION			
33	195597GS	INSULATION			
34	186643GS	DECAL			
35	198460GS	PLUG, Hole			
36	192940GS	CLIP			
38	198890GS	HINGE			
39	207652GS	KEY, Latch			
40	204700GS	LATCH			
41	202555GS	PLUG, Hole			



Ref #	Part #	Description	Qty	Context Note	Foot Note
1	T203030GS	BASE			
2	198899GS	MOUNT, Vibration			
3	24910GS	TAPTITE			
4	194683GS	SOLENOID, Gas Fuel			
5	194829GS	FITTING			
6	194830GS	REGULATOR, NG/LPG			
7	195936GS	BRACKET			
8	202382GS	FITTING, 3/4 Flare to 3/8 NPT			
9	-----	*CAPSCREW, Hex Head, M8-1.25 x 12			*Items without part numbers are common fasteners and are available at local hardware stores.
10	-----	*CAPSCREW, Hex Head, M6-1 x 30			*Items without part numbers are common fasteners and are available at local hardware stores.
11	-----	*WASHER, Lock, 1/4			*Items without part numbers are common fasteners and are available at local hardware stores.
12	-----	*NUT, M6-1			*Items without part numbers are common fasteners and are available at local hardware stores.
13	B4300GS	BOLT			
14	194818GS	BATTERY			
15	185939VGS	WIRE			
16	198913GS	KIT, Battery Hardware			
17	198593BGS	WIRE			
18	-----	*CAPSCREW, Hex Head, M8-1.25 x 16			*Items without part numbers are common fasteners and are available at local hardware stores.
19	201824GS	BRACKET			
20	-----	*WASHER, Flat, 5/16-M8			*Items without part numbers are common fasteners and are available at local hardware stores.
23	1723165SM	HOSE, Oil Drain			
24	186649GS	DECAL, Oil Drain			
25	-----	*CAPSCREW, Hex Head, 5/16-18 x 1			*Items without part numbers are common fasteners and are available at local hardware

Ref #	Part #	Description	Qty	Context Note	Foot Note
26	-----	*NUT, 5/16-18			stores. *Items without part numbers are common fasteners and are available at local hardware stores.
27	-----	*WASHER, Lock, 5/16-M8			*Items without part numbers are common fasteners and are available at local hardware stores.
28	-----	*CAPSCREW, Hex Head, 5/16-24 x 3/4 SEMS			*Items without part numbers are common fasteners and are available at local hardware stores.
29	-----	*CAPSCREW, Hex Head, 1/4-20 x 1			*Items without part numbers are common fasteners and are available at local hardware stores.
30	-----	*CAPSCREW, Hex Head, 5/16-18 x 1-3/4			*Items without part numbers are common fasteners and are available at local hardware stores.
31	B198897GS	SUPPORT, Alternator			
32	200013GS	PLATE, Cover			
33	194005GS	NUT			
34	-----	*WASHER, Shakeproof, M6-1/4			*Items without part numbers are common fasteners and are available at local hardware stores.
35	186790HGS	WIRE			
36	-----	*WASHER, Lock, M10			*Items without part numbers are common fasteners and are available at local hardware stores.
37	-----	*NUT, Hex, M10-1-1/2			*Items without part numbers are common fasteners and are available at local hardware stores.
38	-----	*CAPSCREW, Hex Head, 1/4-20 x 3/4			*Items without part numbers are common fasteners and are available at local hardware stores.
39	B198896GS	SUPPORT, Alternator			
40	201817GS	DUCT			
41	199999GS	SCREW			

Ref #	Part #	Description	Qty	Context Note	Foot Note
42	-----	*WASHER, Lock, 3/8			*Items without part numbers are common fasteners and are available at local hardware stores.
43	-----	*CAPSCREW, Hex Head, 3/8-16 x 1-1/4			*Items without part numbers are common fasteners and are available at local hardware stores.
44	186790CGS	WIRE			
45	186206GS	PLATE, Temp Switch			
46	-----	*NUT, 1/4-20			*Items without part numbers are common fasteners and are available at local hardware stores.
47	-----	*WASHER, Flat, M6			*Items without part numbers are common fasteners and are available at local hardware stores.
48	-----	*CAPSCREW, Hex Head, M10-1-1/2			*Items without part numbers are common fasteners and are available at local hardware stores.
49	B4260GS	DISK			
50	692062	SCREW			
51	-----	ALTERNATOR (see page 6)			
52	40976GS	SCREW			
53	193506GS	DECAL			
54	806425	GASKET			
55	198758GS	MUFFLER			
56	194681GS	BASE			
57	198928GS	INSULATION			
58	56893GS	CRIMPTITE, 10-24 x 1/2			
59	201281GS	BULKHEAD, Alternator			
60	198929GS	INSULATION			
61	194682GS	COLLECTOR, Muffler Box			
62	194680GS	BOX, Muffler Top			
63	192445GS	SCREW, 10-32 x 5/8			
64	-----	*SCREW, Phillips Head, 4-40 x 0.19			*Items without part numbers are common fasteners and are available at local hardware stores.

Ref #	Part #	Description	Qty	Context Note
65	-----	*WASHER, Lock, #4		
66	186205GS	SWITCH, Oil Temp		
67	198593CGS	WIRE		
68	691656	SOLENOID, Starter		
70	205397GS	DECAL, Requirements, Fuel		
900	-----	ENGINE		
--	199327GS	MANUAL, Installation		(Not Illustrated)
--	194689GS	MANUAL, Operator's		(Not Illustrated)
--	279543TRI	MANUAL, Engine		(Not Illustrated)
--	203061GS	KIT, Manual ACC		(Not Illustrated)
--	198811GS	PAINT, Touch Up, Silver		(Not Illustrated)
--	B3518GS	CAP, Funnel, Oil Bottle		(Not Illustrated)
--	202295GS	HOSE, Flex, NG/LPG		(Not Illustrated)
--	206532GS	PLATE, Cover		(Not Illustrated)
--	198918GS	KIT, Decal		(Not Illustrated)
--	841359	FILTER, A/C Cartridge		(Not Illustrated)
--	272490S	FILTER, PreCleaner		(Not Illustrated)
--	492932B	FILTER, Oil		(Not Illustrated)
--	199475GS	PAINT, Spray, Silver		(Optional Accessory)
--	6035	KIT, Maintenance		(Optional Accessory)
--	6030	KIT, Cold Weather (Includes Battery and Oil Warmers)		(Optional Accessory)

Foot Note
*Items without part numbers are common fasteners and are available at local hardware stores.