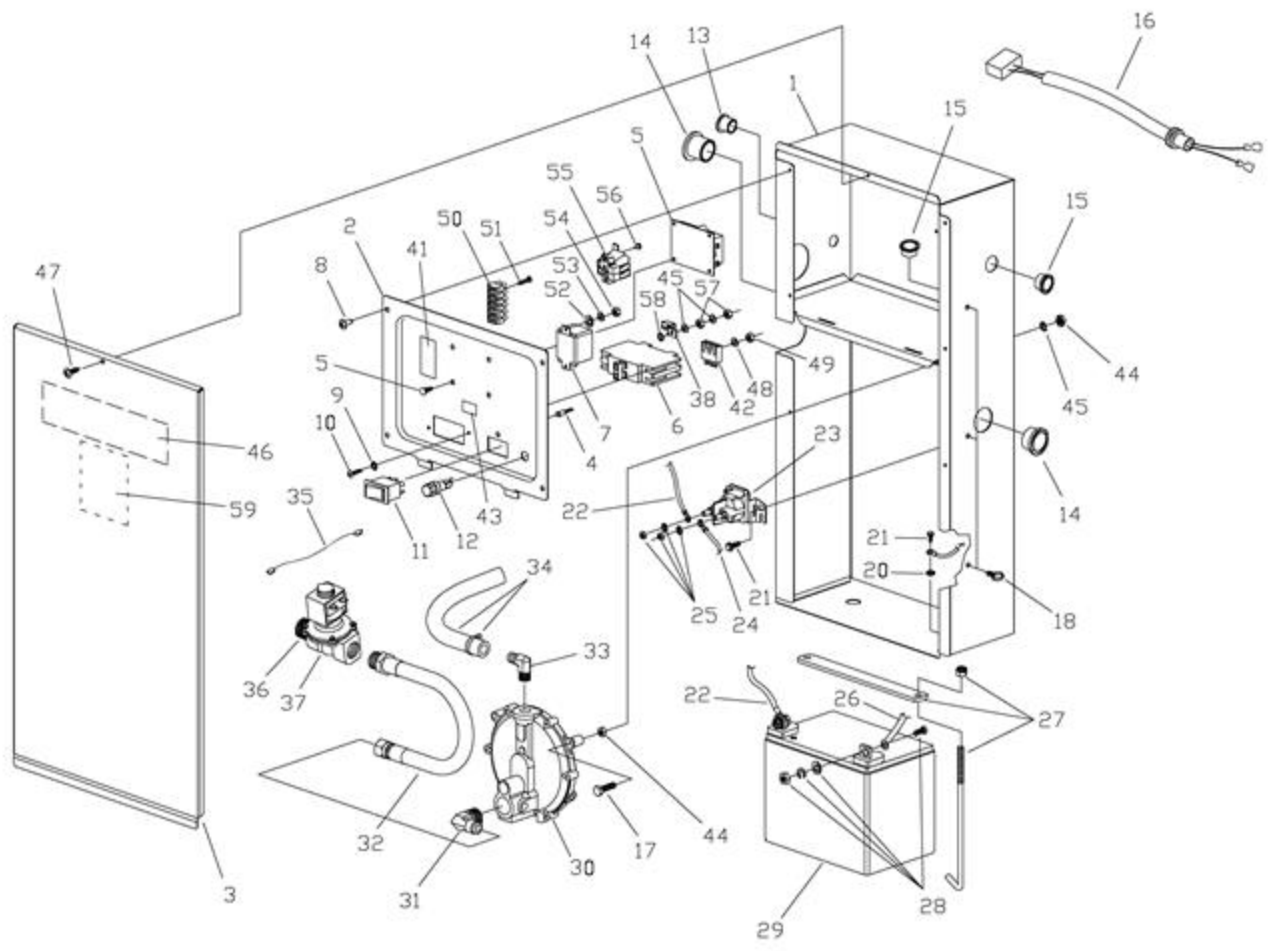
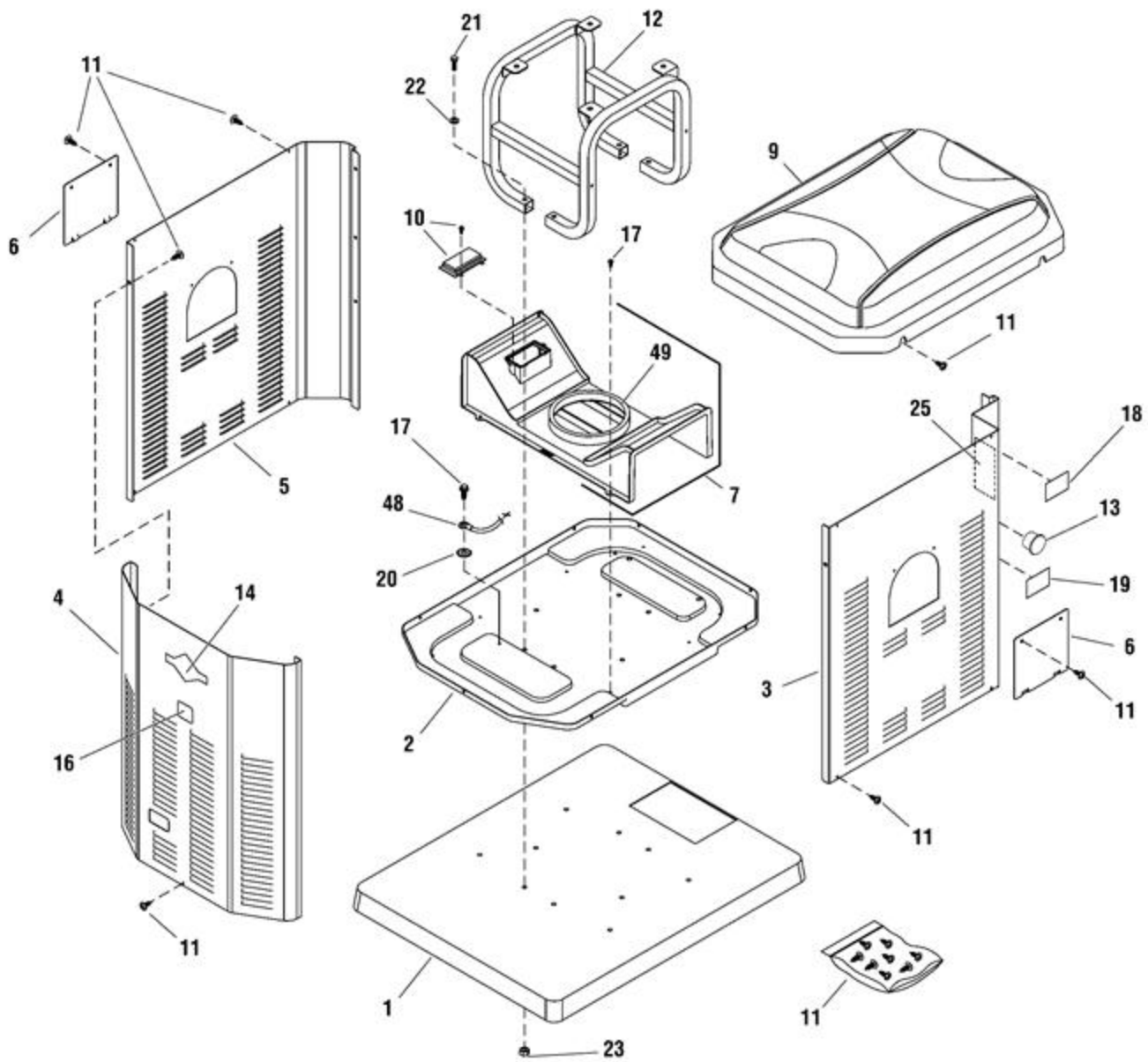


Ref #	Part #	Description	Context Note	Foot Note
1	186059GS	ADAPTER, Mounting, Alternator		
2	195430GS	ROTOR		
3	197304AGS	STATOR		
4	193336GS	RBC, (with O-Ring p/n 189197GS)		
5	86308KGS	HHCS, M6 - 1.0 x 140 SEMS		
6	66386GS	ASSY., Holder, Brush		
7	66849GS	TAPTITE, M5 - 0.8 x 16		
8	22694GS	RECEPTACLE, 6 pin		
9	81917GS	PIN, Roll, 4mm x 10		
10	193472GS	HARNESS, Wire DC Charge		
11	192906GS	COVER, Bearing		
12	74908GS	SCREW, M5 - .8 x 10 Taptite		
13	65791GS	BEARING		

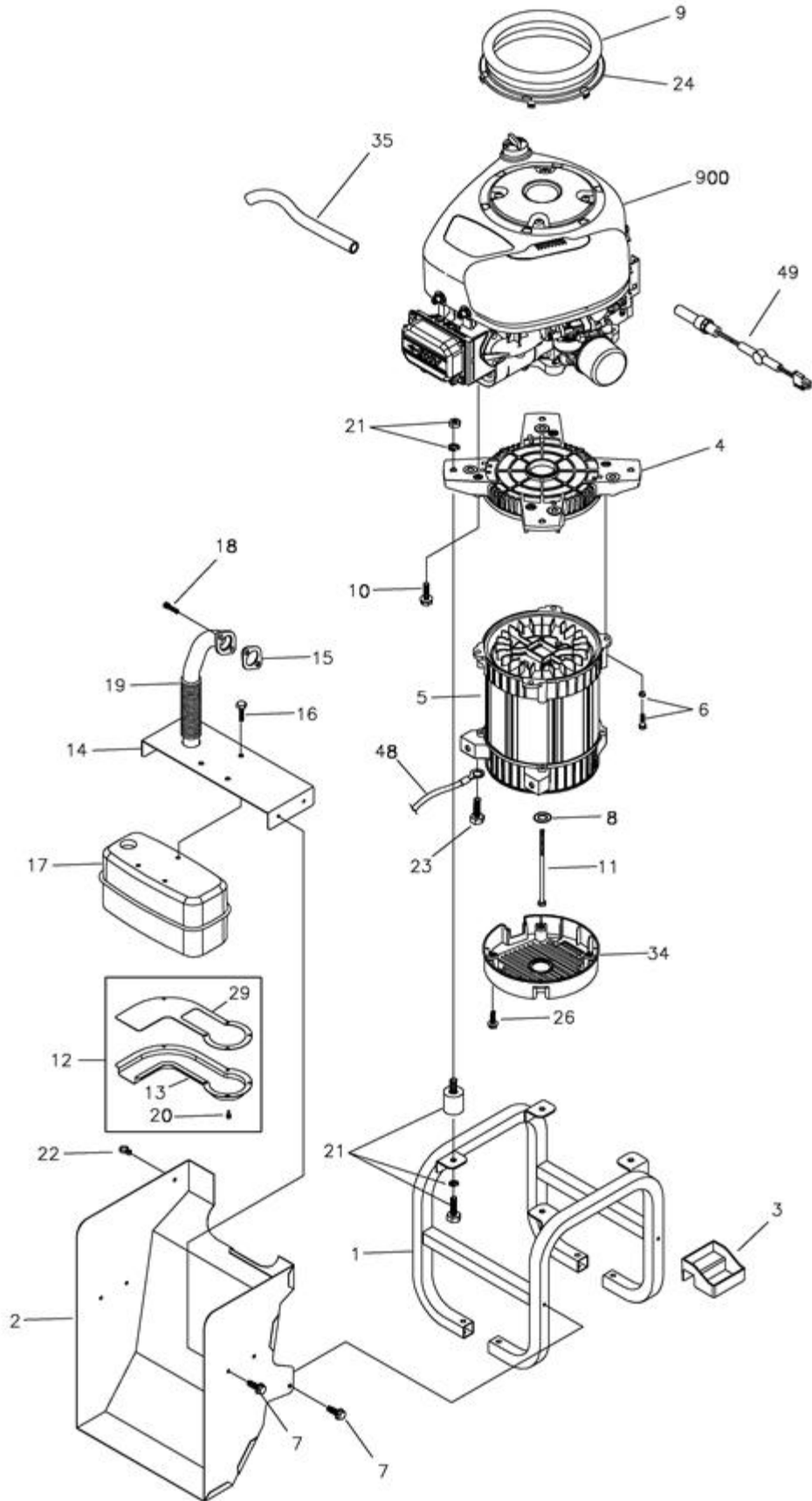


Ref #	Part #	Description	Context Note	Foot Note
1	195229GS	Assy, Control Box		
2	199470GS	Assy, Panel, Control		
3	198990GS	Panel, Back Cover		
4	B5133GS	Lamp, Led		
5	195555GS	Kit, Battery Charge Circuit w/Clips		
	186413GS	Clip, Standoff, Fastex		
6	190818EGS	Breaker, Circuit, 30Amp		
7	195212GS	Relay, Plug In		
8		Screw, #10 x 5.8"	(Purchase locally)	
9		Washer, Shakeproof #6	(Purchase locally)	
10		PPHMS, #6 - 32 x 3/8"	(Purchase locally)	
11	195218GS	Switch		
12	195006GS	Kit, Fuse Holder w/ Fuse		
13	192455GS	Bushing, Snap 5/8"		
14	186173GS	Bushing, Snap 1-3/8"		
15	186582GS	Bushing, Snap 7/8"		
16	195369GS	Wire Harness, Control		
17		HHCS, M6 - 1.0 x 30	(Purchase locally)	
18	195009GS	Kit, Plastic Clips		
20		Washer, Shakeproof, Ext M6 - 1/4	(Purchase locally)	
21		Bolt, Swage, 1/4 - 20 x 1/2	(Purchase locally)	
22	193171GS	Wire-A, 6AWG, Red		
23	691656	Contact, Starter		
24	194659GS	Wire-A, 6AWG, Red		
25	194251GS	Kit, Hardware Starter Contact		
26	188573AGS	Wire-A, Series w/2 Ring Lug		
27	199844GS	Kit, J-Bolt/Strap with Hardware		
28	193347GS	Kit, Battery Hardware		
29	188443GS	Battery		
30	193291GS	Regulator, Fuel		
31	186151GS	Fitting, Elbow, 3/4 NPT		
32	186148GS	Hose, Gas, Reg. to Valve		
33	186150GS	Fitting, Elbow, 3/8 NPT		
34	195005GS	Kit, Hose, Reg To Engine with Clamps		
35	193537CGS	Wire, 18 AWG, Blue		
36	192449GS	Fitting, Nipple, 3/4 x 2		
37	B4773GS	Solenoid, Gas Fuel		
38	186345GS	Terminal, Ground		
41	186645GS	Decal, Caution, Shock		

Ref #	Part #	Description	Context Note	Foot Note
42	65795GS	Rectifier, Battery Charge		
43	B4986AGS	Decal, Ground		
44		Nut, M6 - 1.0	(Purchase locally)	
45		Lockwasher, 1/4	(Purchase locally)	
46	195356GS	Decal, Operating Instructions		
47		Screw, 10 x 32 x 1 Phillips Truss Head	(Purchase locally)	
48		Lockwasher, M5	(Purchase locally)	
49		Nut, M5 - 0.8	(Purchase locally)	
50	194096GS	Strip, Terminal 6 Pole		
51		PPHS, #6-32 x 5/8	(Purchase locally)	
52		Washer, M3	(Purchase locally)	
53		Lockwasher, M3	(Purchase locally)	
54		Nut, M3 - 0.5	(Purchase locally)	
55	195559GS	Assy, Terminal Block		
56		PPHS, #8 - 32 x 1/4", Trilobular	(Purchase locally)	
57		Nut, 1/4 - 20	(Purchase locally)	
58		Washer, Shakeproof Int. 1/4 - M6	(Purchase locally)	
59	205397GS	Decal, Fuel Requirements		
	195371GS	Resistor	Items Not Illustrated	



Ref #	Part #	Description	Context Note	Foot Note
1	192441AGS	PAD, Mounting		
2	U191852GS	BASE		
3	198989GS	PANEL, Side		
4	199333GS	PANEL, End		
5	199335GS	PANEL, Side		
6	U208787GS	COVER, Oil Drain		
7	195228GS	DUCT	(Includes Ref. No. 49)	
9	199009GS	ROOF		
10	194993GS	KIT, Board Circuit AVR		
11	194991GS	KIT, Hardware, Enclosure		
12	B191860GS	CRADLE		
13	185976GS	PLUG, Hole		
14	199296GS	DECAL		
16	200409GS	DECAL		
17	-----	*BOLT, Swage, 1/4-20 x 1/2		*Items without part numbers are common fasteners and are available at local hardware stores.
18	195642GS	DECAL		
19	186643GS	DECAL		
20	-----	*WASHER, Shakeproof Ext. M6-1/4		*Items without part numbers are common fasteners and are available at local hardware stores.
21	-----	*CAPSCREW, Hex Head, 5/16-18 x 2		*Items without part numbers are common fasteners and are available at local hardware stores.
22	-----	*WASHER, Flat, 5/16-M8		*Items without part numbers are common fasteners and are available at local hardware stores.
23	-----	*NUT, Flange Serrated, 5/16-18		*Items without part numbers are common fasteners and are available at local hardware stores.
25	206824GS	DECAL		
48	195496GS	WIRE		
49	193061GS	SEAL, Foam		



Ref #	Part #	Description	Context Note	Foot Note
1	B191860GS	Weldment, Cradle		
2	194568GS	Assy, Duct, Air Muffler		
3	193536GS	Tray, Oil Drain		
4	191793GS	Adapter, Engine		
5	NSP	Assy, Alternator	See Alternator	
6	194728GS	Kit, Hardware Mounting Adapter		
7		Bolt, Swage, 1/4 - 20 x 1/2	(Purchase locally)	
8	96796GS	Washer, 8.4 x 22.2 x 3		
9	193012GS	Seal, Engine Air Intake		
10	75246GS	Screw, 3/8 - 16 x 1-1/4 Taptite		
11	187365HGS	HHCS, 5/16-24 x 9.84		
12	207270GS	Kit, Deflector Muffler Assy w/Hardware		
13	193475GS	Assy, Deflector Muffler		
14	206856GS	Bracket, Muffler		
15	692236	Gasket		
16	83512GS	Screw, M8 1.25 x 15, Taptite		
17	207059GS	Muffler		
18	698941	Screw, Socket Head Cap		
19	194159GS	Pipe, Exhaust		
20	195008GS	Kit, Muffler Hardware		
21	194209GS	Kit, Vibration Mount		
22	192940GS	Clip, Retainer Fuel Hose		
23		HHCS, M6 - 1.0 x 16	(Purchase locally)	
24	192853GS	Collar, Inlet Air		
26	74908GS	Screw, M5- .8 x 10 Taptite		
34	192906GS	Cover Bearing		
35	1723165SM	Hose, Oil Drain		
48	15253621GS	Wire, Ground		
49	01916	Warmer, Oil		
900		Engine	Contact Engine Manufacturer	
	199003GS	Manual, Operator's	Items Not Illustrated	
	MS3787	Manual, Engine	Items Not Illustrated	
	198999GS	Kit, Manual/Accessory, ELS	Items Not Illustrated	
	194089GS	Assy, Disconnect Box	Items Not Illustrated	
	198810GS	Paint, Touchup, Gray	Items Not Illustrated	
	202295GS	Flex Hose	Items Not Illustrated	
	195050GS	Assy, Plate Status, Manual	Items Not Illustrated	

Ref #	Part #	Description	Context Note	Foot Note
	195069GS	Kit, Conversion, LP	Items Not Illustrated	
	196731BGS	Bit, Screw	Items Not Illustrated	
	01915	Warmer, Battery	Optional Accessories	
	199474GS	Paint, Touchup Spray, 12oz, Gray	Optional Accessories	