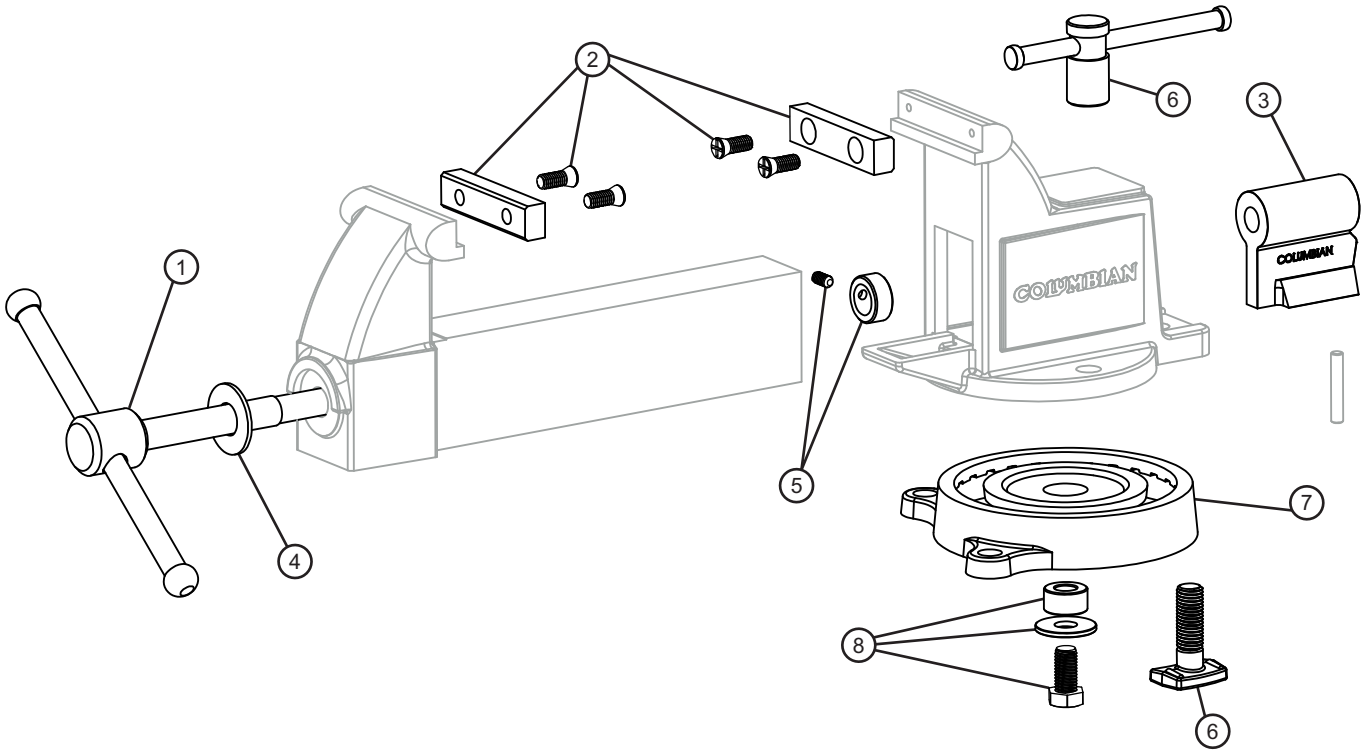




604 1/2 M3 MACH. VISE 11/86 (TEXT) - Parts Diagram

4-1/2" Jaw Width, 7" Jaw Opening, 4-1/8" Jaw Depth

Stock #: 10204 Model #: 604-1/2M3



#	Part	Description
1	10104523	Spindle & Handle Assembly
2	10104540	Serrated Jaw Inserts w/ Screws
3	10103504	Spindle Nut
4	10103524	Spindle Head Washer
5	10103525	Collar & Set Screw
6	10203551	Lock Nut & Bolt Assembly
7	10204503	Swivel Base Plate
8	10203550	Center Swivel Bolt Assembly