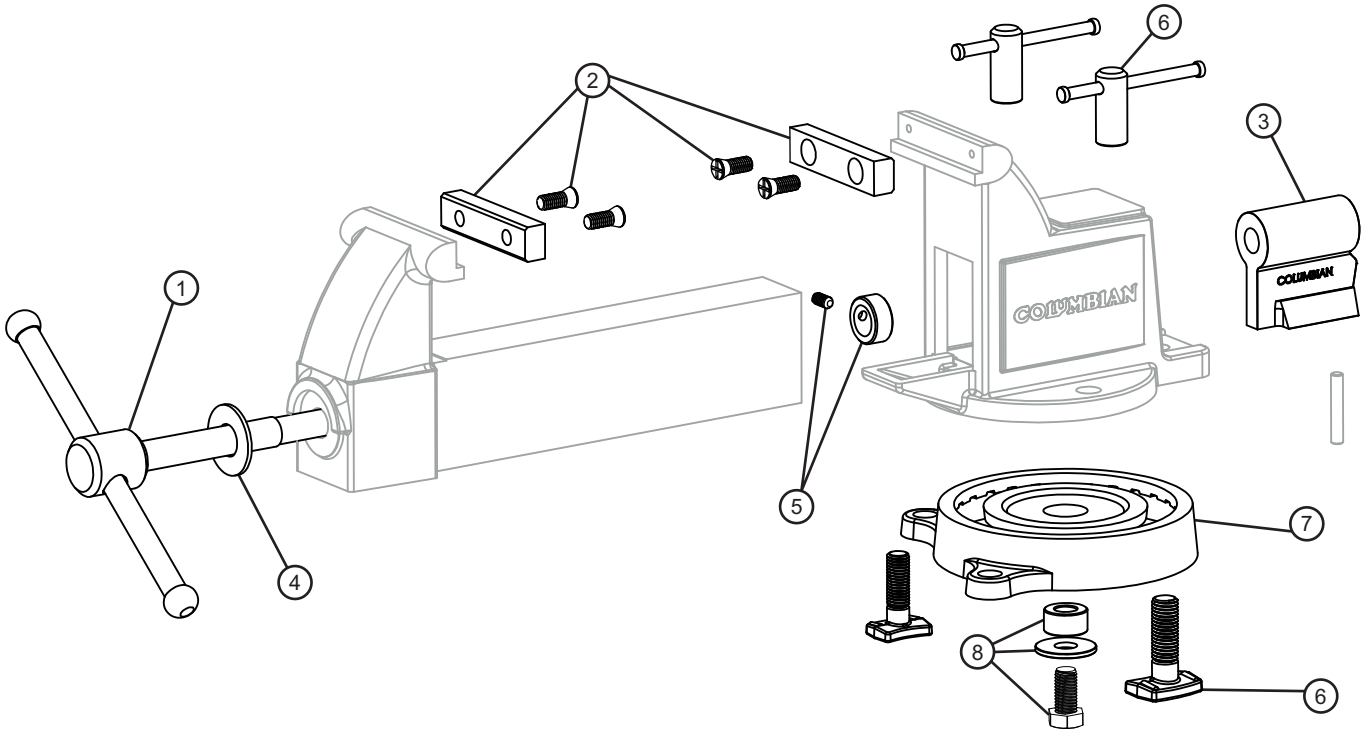




**605M3 MACHINIST VISE(TEXT) - Parts Diagram**

5" Jaw Width, 8" Jaw Opening, 4-1/4" Jaw Depth

Stock #: 10205 Model #: 605M3



#	Part	Description
1	10105S23	Spindle & Handle Assembly
2	10105S40	Serrated Jaw Inserts w/ Screws
3	10105S04	Spindle Nut
4	10105S24	Spindle Head Washer
5	10105S25	Collar & Set Screw
6	10205S51	Lock Nut & Bolt Assembly (assembly for 1 side)
7	10205S03	Swivel Base Plate
8	10205S50	Center Swivel Bolt Assembly