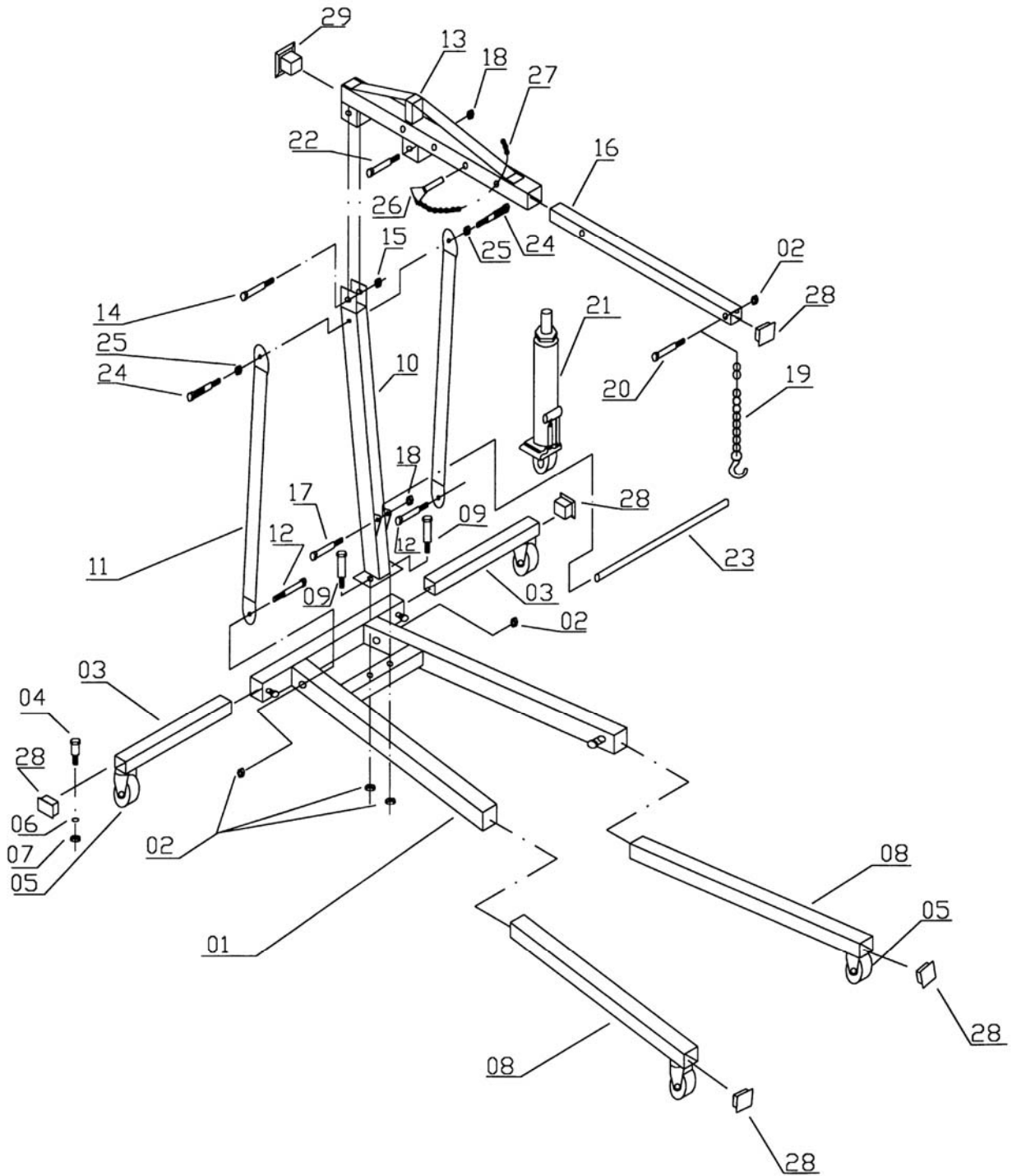


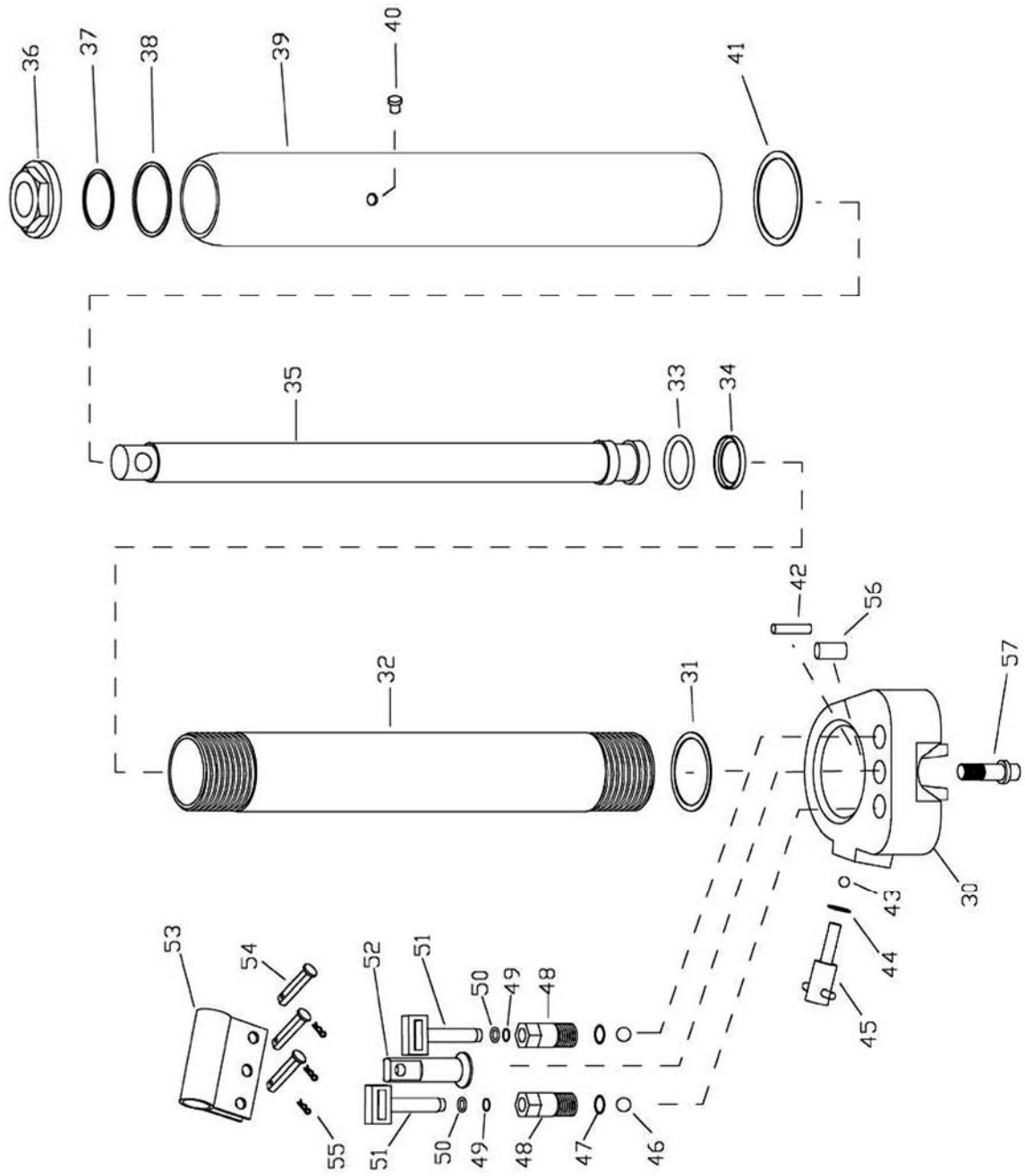
Hydraulic Crane Assembly – Exploded View



Hydraulic Crane Assembly – Parts List

Index No.	Part No.	Description	Size	Qty
01	JHC200X-01	Base		1
02	TS-1540081	Hex Nut	M12	6
03	JHC200X-03	Extension Leg (short)		2
04	TS-1490031	Hex Cap Bolt	M8×20	16
05	JHC200X-05	Caster Assembly		4
06	TS-1551061	Lock Washer	M8	16
07	TS-1540061	Hex Nut	M8	16
08	JHC200X-08	Extension Leg (long)		2
09	TS-1492011	Hex Cap Bolt	M12×25	2
10	JHC200X-10	Post		1
11	JHC200X-11	Support		2
12	TS-1492101	Hex Cap Bolt	M12×100	2
13	JHC200X-13	Boom		1
14	JHC200X-14	Hex Cap Bolt	M20×125	1
15	TS-1540121	Hex Nut	M20	1
16	JHC200X-16	Boom Extension		1
17	JHC200X-17	Hex Cap Bolt	M16×100	1
18	TS-1540101	Hex Nut	M16	3
19	JHC200X-19	Load Hook w/chain		1
20	TS-1499141	Hex Cap Bolt	M12×80	1
21	JFHC200X-6	Ram Assembly		1
22	JHC200X-22	Hex Cap Bolt	M16×75	1
23	JHC200X-23	Handle		1
24	JHC200X-24	Steering Handle		2
25	JHC200X-25	Washer		2
26	JHC200X-26	Adjustment Pin		1
27	JHC200X-27	Hitch Pin		1
28	JHC200X-28	Small Cover		5
29	JHC200X-29	Big Cover		1
	JHC200X-RK	Ram Repair Kit (not shown)		1
	JHC200X-ID	I.D. Label (not shown)		1
	JHC200X-WL	Warning Label (not shown)		1
	JHC200X-CL	Capacity Labels (set of 4: 1/2T,1T,1.5T,2T)(not shown)		1

Hydraulic Ram – Exploded View



Hydraulic Ram – Parts List

Index No.	Part No.	Description	Size	Qty
	JFHC200X-6	Hydraulic Ram Assembly		1
30	JFHC200X-30	Valve Body		1
31	JFHC200X-31	Copper Washer *	M46	1
32	JFHC200X-32	Cylinder		1
33	JFHC200X-33	O-ring *	M40x5.5	1
34	JFHC200X-34	O-ring Retainer *	M31.3x3.55	1
35	JFHC200X-35	Ram		1
36	JFHC200X-36	Top Nut	M48	1
37	JFHC200X-37	O-ring *	M33.5x3.55	1
38	JFHC200X-38	Gasket *	M70x1	1
39	JFHC200X-39	Oil Chamber		1
40	JFHC200X-40	Oil Plug *	M15x9.5	1
41	JFHC200X-41	Seal Ring *	M81x4	1
42	JFHC200X-42	Tube		1
43	SB-6MM	Steel Ball	M6	1
44	JFHC200X-44	Seal Ring *	M88x6	1
45	JFHC200X-45	Release Valve		1
46	SB-6MM	Steel Ball	M6	2
47	JFHC200X-47	Copper Washer *	M18	2
48	JFHC200X-48	Pump Cylinder		2
49	JFHC200X-49	O-ring *	M66x3	2
50	JFHC200X-50	Back-up Ring *	M12x7	2
51	JFHC200X-51	Plunger (<i>s/n 12020001 and higher</i>)		2
	JFHC200X-51A	Plunger (<i>previous to s/n 12020001</i>)		1
52	JFHC200X-52	Link Pin		1
53	JFHC200X-53	Handle Socket		1
54	JFHC200X-54	Connecting Pin		3
55	JFHC200X-55	Cotter Pin		3
56	JFHC200X-56	Pin	M2x30	1
57	JFHC200X-57	Bolt	M14x45	1
	JFHC200X-RK	Ram Repair Kit (includes items with asterisk *)		