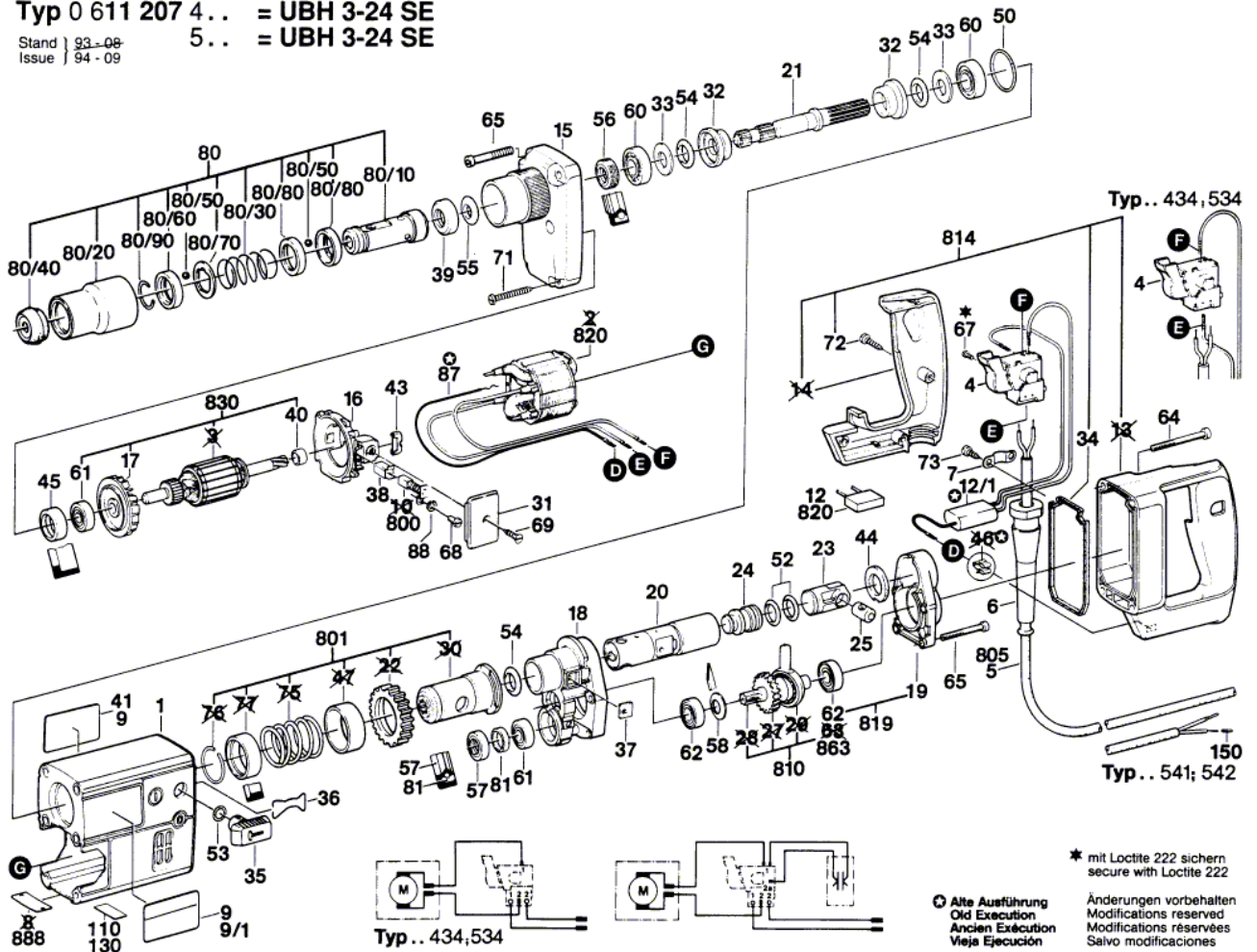
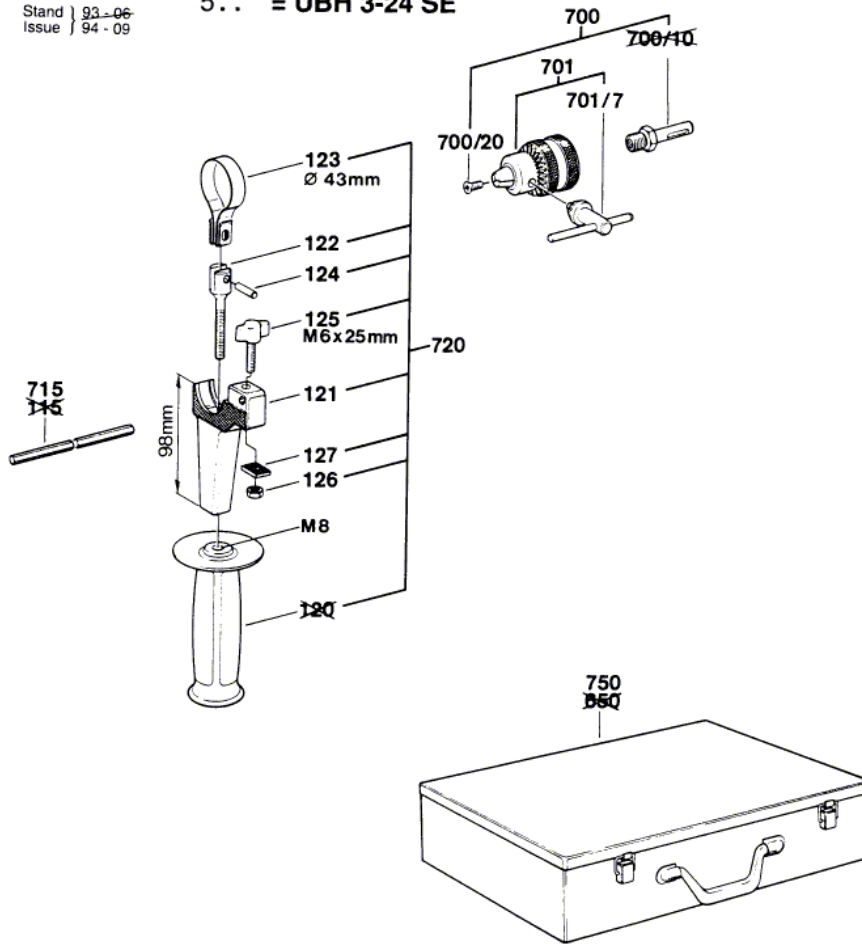


Typ 0 611 207 4.. = UBH 3-24 SE
Stand } 93-08
Issue } 94-09
5.. = UBH 3-24 SE



Typ 0 611 207 4.. = UBH 3-24 SE
5.. = UBH 3-24 SE

Stand } 93-06
Issue } 94-09



Änderungen vorbehalten
Modifications reserved
Modifications réservées
Salvo modificaciones
Robert Bosch GmbH
Geschäftsbereich Elektrowerkzeuge
D 70745 Leinfelden-Echterdingen

1800 W. Central Mount Prospect IL 60056					
Pos.	Part Number	Description	Pos.	Part Number	Description
1	1 615 108 049	Motor Housing	81	1 610 205 003	Lubricating Felt
4	1 617 200 052	On-Off Switch	88	2 916 690 003	Spring Lock Washer
5	1 614 460 016	Power supply cord	110	1 601 110 449	Nameplate
6	3 600 703 011	Grommet	121	1 618 040 077	index turning toolholder
7	1 601 302 014	Fastening Clamp	122	1 613 521 001	Stud bolt
9/1	1 611 110 455	Manufacturer's nameplate	123	1 611 316 003	Clamping Band
15	1 615 500 277	Housing Cover	124	1 613 100 012	Straight Pin
16	1 615 820 059	Air-Deflector Ring	125	1 613 480 009	Wing Screw
17	2 606 610 059	Fan	126	1 613 300 006	Hex Nut
18	1 615 820 058	Bearing Pedestal	127	1 611 030 009	Clamping Plate
19	1 615 808 065	Bearing cover	700	1 617 000 154	Drill Chuck Shank
20	1 615 806 031	Guide Tube	700/20	2 603 421 226	Countersunk-Head Screw
21	1 618 597 047	Drilling Spindle	701	1 608 571 069	Chuck
23	1 618 700 045	Hammer Piston	701/7	2 607 950 007	Chuck Wrench
24	1 618 710 040	Striker Pin	715	1 613 001 009	Depth-Gauge
25	1 613 105 012	Piston Pin	720	1 612 025 020	Auxiliary Handle
31	1 615 500 278	Sealing cap	750	1 615 438 111	Carrying Case
32	1 610 329 000	Spacer Bushing	800	1 617 014 118	Carbon Brush
33	1 610 101 611	Supporting Disc	800	1 617 014 112	Carbon Brush
34	1 611 015 022	Sealing Frame	801	1 617 031 017	Overload Clutch
35	1 612 026 017	Clamp Handle	810	1 617 000 902	Assembly Of Service Parts
36	1 614 680 002	Holding Spring	814	1 617 000 924	Parts Set
37	1 611 031 004	Sealing Plate	819	1 617 000 926	Parts Set
38	1 614 336 003	Brush Holder	820	1 617 000 147	Parts Set
39	1 610 508 006	Thrust ring	830	1 614 010 049	Armature
40	1 610 200 011	Intermediate Ring	863	1 900 900 302	Deep-Groove Ball Bearing
41	1 611 110 456	Manufacturer's nameplate	888	1 601 106 032	
43	1 611 091 005	Rubber Buffer			
44	1 610 109 015	Rubber Ring			
44	1 610 206 017	Rubber Ring			
50	1 610 210 087	O-Ring			
52	1 610 210 038	O-Ring			
53	1 610 210 046	O-Ring			
54	1 610 210 040	O-Ring			
55	1 610 210 035	O-Ring			
56	1 610 283 015	Rotary shaft lip seal			
57	1 610 283 014	Rotary shaft lip seal			
58	1 610 550 026	Disc Spring			
60	1 900 900 272	Deep-Groove Ball Bearing			
61	1 900 905 025	Deep-Groove Ball Bearing			
62	1 900 900 287	Deep-Groove Ball Bearing			
64	2 910 141 174	Hex Socket Head Cap Screw			
65	2 910 141 168	Hex Socket Head Cap Screw			
67	2 603 410 001	Socket head cap screw			
68	2 910 021 118	Socket head cap screw			
69	2 910 601 118	Tapping Screw			
71	2 910 211 038	Tapping Screw			
72	2 910 211 221	Tapping Screw			
73	2 910 211 018	Tapping Screw			
80	1 618 598 131	Bit holder			
80/20	1 610 499 009	Protection Sleeve			
80/30	1 614 632 000	Compression Spring			
80/40	1 610 508 008	Protective Cap			
80/50	1 903 230 013	Ball			
80/60	1 610 251 002	Thrust Ring			
80/70	1 610 190 007	Holding Plate			
80/80	1 610 250 003	Retaining snap ring			
80/90	2 916 540 012	Retaining ring			