

## Universal Rotary Hammer - 0 611 234 039 - 11 234 S

www.powertools-aftersaleservice.com

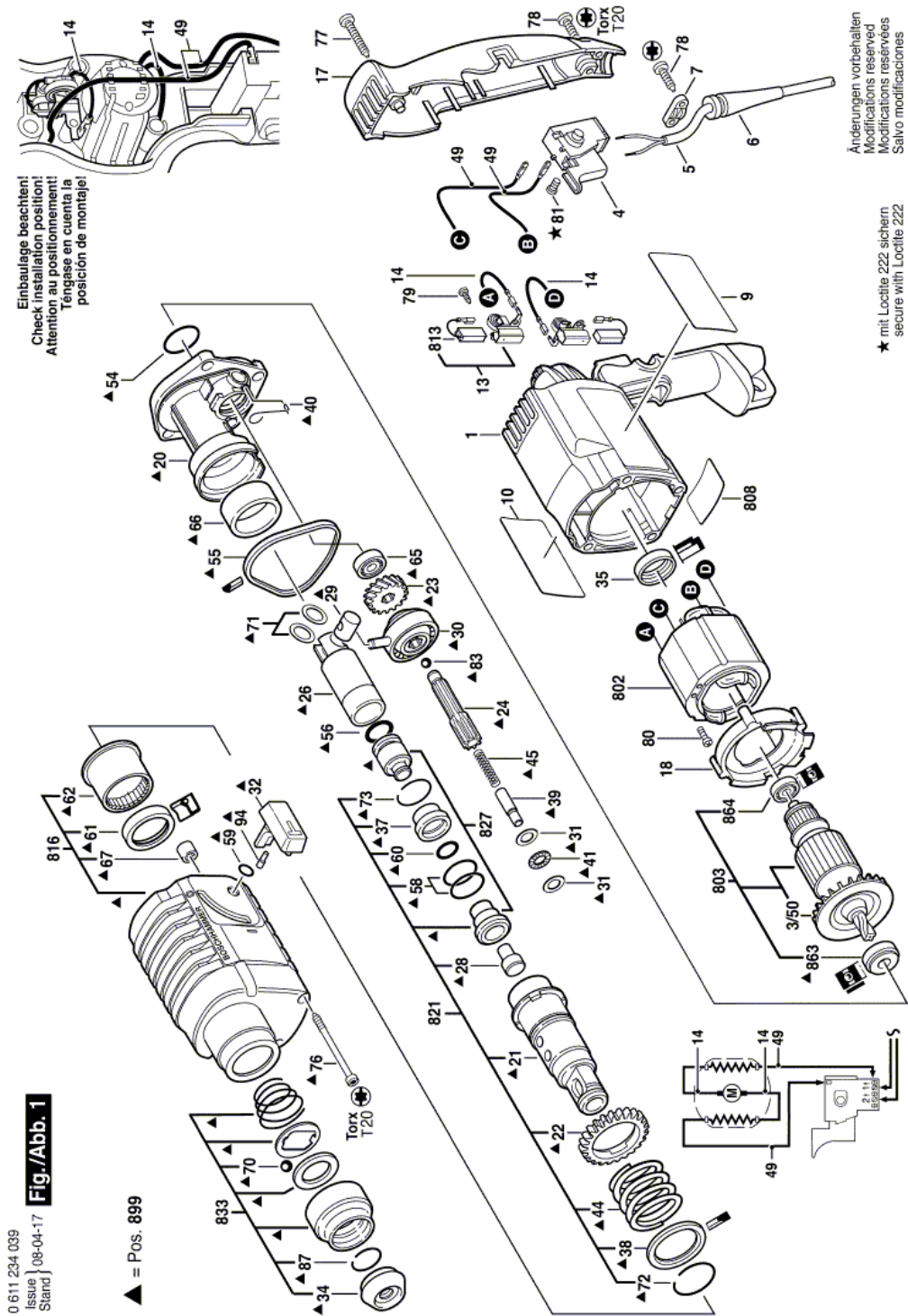


**BOSCH**

Item	Part Number	Description	Illustration	Price	Quantity	Price Group
	1 1 615 108 112	Motor Housing BLUE	1	-,-	1	26
3/50	1 616 610 072	Fan BLACK	1	-,-	1	12
	4 1 617 200 082	Switch	1	-,-	1	29
	5 2 604 460 249	Power supply cord SAM 2,7m 2 x 0,82mm SJ 18/2	1	-,-	1	27
	6 2 600 703 018	Grommet Ø7,3-Ø8,6x76 MM	1	-,-	1	13
	7 2 601 035 001	Cable Clip	1	-,-	1	11
	9 1 611 110 838	Manufacturer's nameplate	1	-,-	1	15
	10 1 611 110 838	Manufacturer's nameplate	1	-,-	1	15
	13 1 617 000 343	Brush Holder	1	-,-	2	23
	14 2 604 448 104	Connecting Cable L=63 MM WHITE	1	-,-	1	11
	17 1 615 132 065	Housing Cover BLUE	1	-,-	1	17
	18 1 610 522 008	Air-Deflector Ring	1	-,-	1	11
	20 1 615 700 037	Intermediate Flange	1	-,-	1	28
	21 1 616 490 058	Ratchet Sleeve SDS-PLUS	1	-,-	1	39
	22 1 616 320 007	Cylindrical Gear Z=46	1	-,-	1	20
	23 1 616 320 002	Cylindrical Gear Z=6/21	1	-,-	1	30
	24 1 613 060 010	Toothed Shaft Z=6/10	1	-,-	1	37
	26 1 618 700 052	Hammer Piston	1	-,-	1	25
	28 1 613 124 026	Striker Pin	1	-,-	1	14
	29 1 613 105 012	Piston Pin	1	-,-	1	15
	30 1 615 819 005	Drive bearing	1	-,-	1	33
	31 1 610 100 003	Support Disc 0,8 MM THICK	1	-,-	2	11
	32 1 612 026 023	Clamp Handle BLACK	1	-,-	1	13
	34 1 610 508 008	Protective Cap L=17 MM, SDS-PLUS	1	-,-	1	12
	35 1 610 206 021	Rubber Ring	1	-,-	1	11
	37 1 610 390 011	Damping Bushing	1	-,-	1	15
	38 1 610 102 022	Supporting Disc	1	-,-	1	12
	39 1 613 100 013	Straight Pin	1	-,-	1	12
	40 1 614 690 001	Holding Spring	1	-,-	1	11
	41 1 610 920 003	Roller-Cage Assembly	1	-,-	1	14
	44 1 614 633 001	Compression Spring	1	-,-	1	14
	45 1 614 614 001	Compression Spring	1	-,-	1	11
	49 2 604 448 005	Cable L=130 MM WHITE	1	-,-	2	11

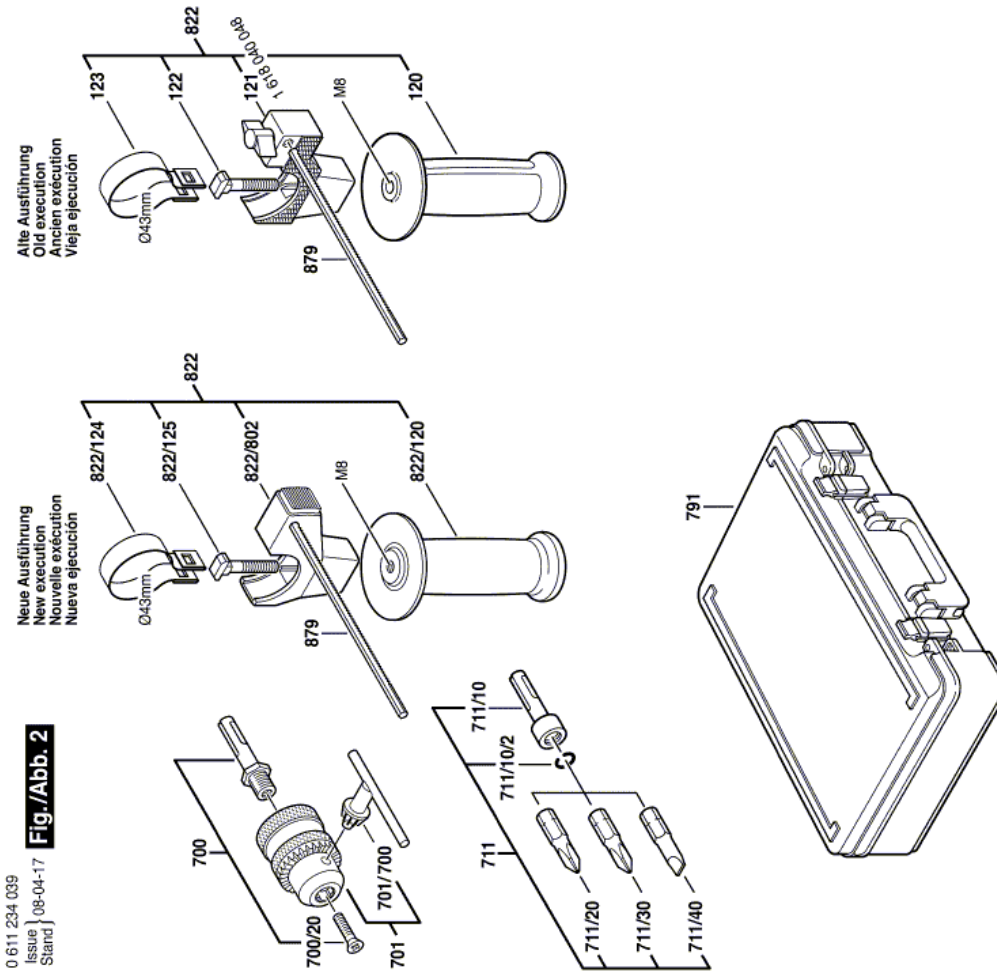
Item	Part Number	Description	Illustration	Price	Quantity	Price Group
54	1 610 210 068	O-Ring 24,0x2,5 MM	1	-,-	1	11
55	1 610 206 023	Seal ring	1	-,-	1	14
56	1 610 210 070	O-Ring 14,0x3,0 MM	1	-,-	1	13
58	1 610 210 058	O-Ring 18,0x3,0 MM	1	-,-	2	13
59	1 610 210 069	O-Ring 6,0x2,5 MM	1	-,-	1	11
60	1 610 210 073	O-Ring 10,0x3,5 MM	1	-,-	1	12
61	1 610 283 017	Rotary shaft lip seal	1	-,-	1	20
62	1 610 202 026	Plain bearing	1	-,-	1	17
65	1 900 900 228	Deep-Groove Ball Bearing 8x22x7	1	-,-	1	20
66	1 610 301 000	Bushing Ø30xØ37x15,7 MM	1	-,-	1	15
67	1 610 910 064	Needle bearing	1	-,-	1	14
70	1 903 230 013	Ball DIN 5401-Ø7MM-III-ST	1	-,-	1	10
71	1 610 101 011	Shim washer 1,2 MM THICK	1	-,-	2	11
72	2 916 540 018	Retaining ring DIN 7993-A32	1	-,-	1	15
73	1 614 601 009	Retaining ring DIN 9045-24	1	-,-	1	11
76	1 613 435 009	Tapping Screw ST-4,8x57,5-TORX,T20	1	-,-	4	11
77	1 603 435 051	Tapping Screw ST3,9x32 SILVER	1	-,-	1	11
78	1 603 435 050	Tapping Screw ST3,9x19-TORX,T20	1	-,-	4	11
79	2 910 211 005	Tapping Screw DIN 7971-ST2,9x9,5-F	1	-,-	4	10
80	2 603 435 015	Recessed-Head Screw DIN 7981-ST3,5x9,5-F	1	-,-	2	11
81	2 603 410 001	Socket head cap screw M3x6,5-4.8	1	-,-	2	11
83	1 903 230 309	Ball 5 MM V DIN 5401	1	-,-	1	11
87	2 916 540 012	Retaining ring DIN 7993-A22	1	-,-	1	13
94	1 613 120 017	Detent Pin	1	-,-	1	11
700	1 617 000 154	Drill Chuck Shank 1/2"SDS-PLUS	2	-,-	1	31
700/20	2 603 421 226	Countersunk-Head Screw M6x27 LEFTHAND THREADS	2	-,-	1	11
701	1 608 571 088	Chuck	2	-,-	1	32
701/700	2 607 950 007	Chuck Wrench SG2	2	-,-	1	18
711	1 617 000 133	Parts Set	2	-,-	1	-
711/10/2	2 604 601 004	Retaining ring	2	-,-	1	11
711/20	1 608 521 004	Screwdriver Blade NR.2,1/4"	2	-,-	1	-
711/30	2 607 000 248	Screwdriver Bit 3 PIECE	2	-,-	1	-
711/40	1 608 511 020	Screwdriver Blade GR.1,0x6, 1/4"	2	-,-	1	-
791	1 615 438 146	Carrying Case	2	-,-	1	-
802	2 604 220 428	Field 110-120V	1	-,-	1	32
803	1 614 010 054	Armature With Fan 110-120V	1	-,-	1	41
808	1 601 106 035	Nameplate 26x42 MM	1	-,-	1	13
813	1 617 014 132	Carbon-Brush Set	1	-,-	1	22
816	1 615 806 077	Gear Housing BLACK	1	-,-	1	37
821	1 617 000 812	Ratchet Sleeve SDS-PLUS	1	-,-	1	43
822	2 602 025 118	Auxiliary Handle Ø43 MM	2	-,-	1	26
822/120	1 612 025 019	Auxiliary Handle M8	2	-,-	1	19
822/124	1 611 316 006	Clamping Band Ø43 MM	2	-,-	1	13
822/125	1 613 490 002	T-Head Bolt M8x40 MM	2	-,-	1	13
822/802	2 608 040 176	index turning toolholder Ø43 MM	2	-,-	1	19
827	1 617 000 338	Striker	1	-,-	1	28
833	1 617 000 163	Protection Sleeve SDS-PLUS	1	-,-	1	20
863	1 610 905 048	Deep-Groove Ball Bearing 9x24x7	1	-,-	1	21
864	1 610 905 025	Deep-Groove Ball Bearing 7x19x6	1	-,-	1	19
879	1 613 001 009	Depth-Gauge SW 6x210 MM	2	-,-	1	15
899	1 617 000 353	Impact Mechanism	1	-,-	1	50

Illustration - Type E



0 611 234 039  
Issue | 08-04-17  
Stand | **Fig./Abb. 1**

Illustration - Type E



0 611 234 039  
Issue 08-04-17  
Stand **Fig./Abb. 2**

Änderungen vorbehalten  
 Modifications reserved  
 Modifications reserves  
 Salvo modificaciones

Information subject to change without further notice.