

Universal Rotary Hammer - 0 611 234 639 - 11 234 S...

www.powertools-aftersaleservice.com

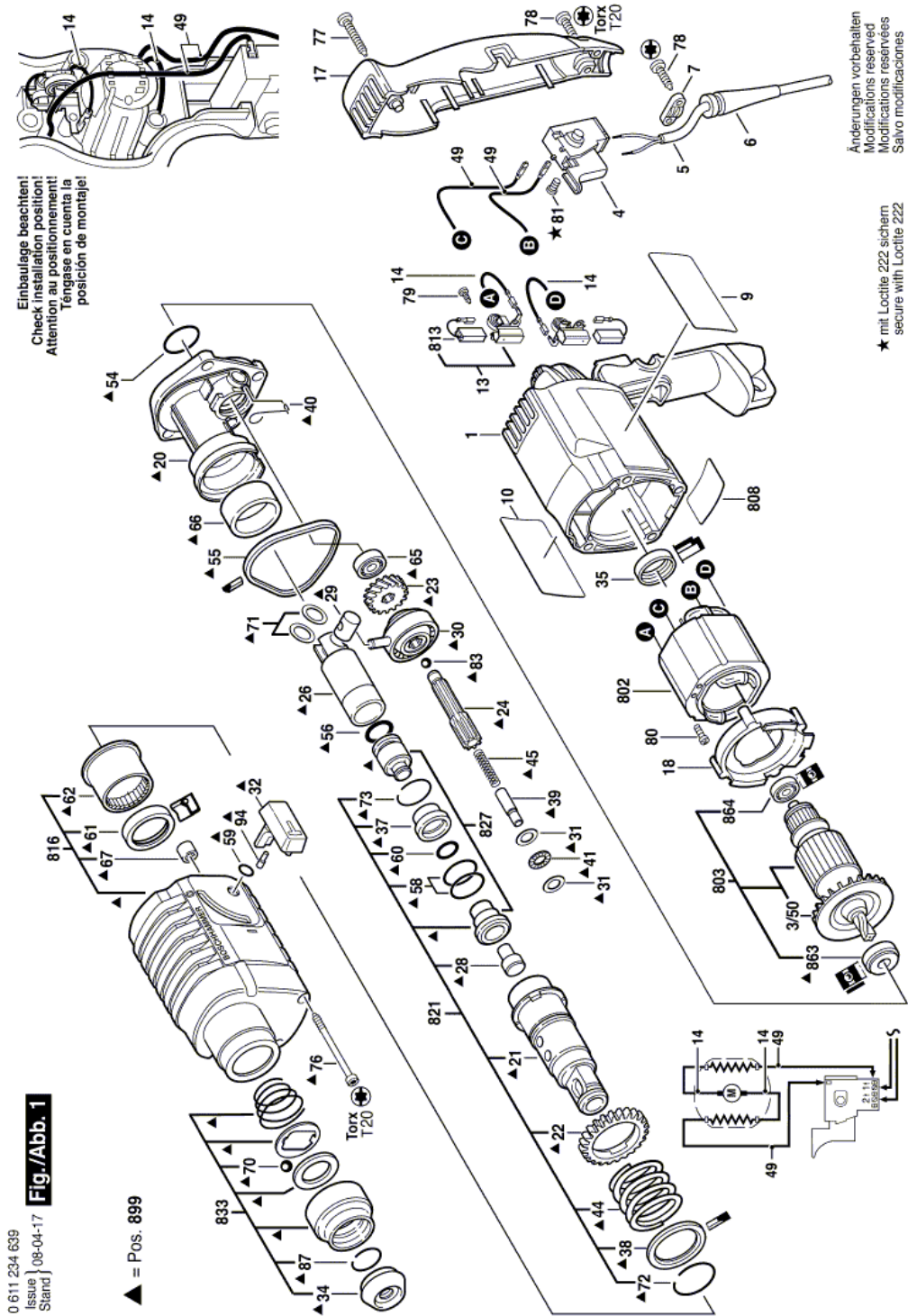


BOSCH

| Item | Part Number | Description | Illustration | Price | Quantity | Price Group |
|------|---------------|---|--------------|-------|----------|-------------|
| 1 | 1 615 108 112 | Motor Housing BLUE | 1 | -,- | 1 | 26 |
| 3/50 | 1 616 610 072 | Fan BLACK | 1 | -,- | 1 | 12 |
| 4 | 1 617 200 076 | On-Off Switch | 1 | -,- | 1 | 36 |
| 5 | 2 604 460 249 | Power supply cord SAM 2,7m 2 x 0,82mm SJ 18/2 | 1 | -,- | 1 | 27 |
| 6 | 2 600 703 018 | Grommet Ø7,3-Ø8,6x76 MM | 1 | -,- | 1 | 13 |
| 7 | 2 601 035 001 | Cable Clip | 1 | -,- | 1 | 11 |
| 9 | 1 611 110 821 | Manufacturer's nameplate | 1 | -,- | 1 | 15 |
| 10 | 1 611 110 821 | Manufacturer's nameplate | 1 | -,- | 1 | 15 |
| 13 | 1 617 000 343 | Brush Holder | 1 | -,- | 2 | 23 |
| 14 | 2 604 448 104 | Connecting Cable L=63 MM WHITE | 1 | -,- | 1 | 11 |
| 17 | 1 615 132 065 | Housing Cover BLUE | 1 | -,- | 1 | 17 |
| 18 | 1 610 522 008 | Air-Deflector Ring | 1 | -,- | 1 | 11 |
| 20 | 1 615 700 037 | Intermediate Flange | 1 | -,- | 1 | 28 |
| 21 | 1 616 490 058 | Ratchet Sleeve SDS-PLUS | 1 | -,- | 1 | 39 |
| 22 | 1 616 320 007 | Cylindrical Gear Z=46 | 1 | -,- | 1 | 20 |
| 23 | 1 616 320 002 | Cylindrical Gear Z=6/21 | 1 | -,- | 1 | 30 |
| 24 | 1 613 060 010 | Toothed Shaft Z=6/10 | 1 | -,- | 1 | 37 |
| 26 | 1 618 700 052 | Hammer Piston | 1 | -,- | 1 | 25 |
| 28 | 1 613 124 026 | Striker Pin | 1 | -,- | 1 | 14 |
| 29 | 1 613 105 012 | Piston Pin | 1 | -,- | 1 | 15 |
| 30 | 1 615 819 005 | Drive bearing | 1 | -,- | 1 | 33 |
| 31 | 1 610 100 003 | Support Disc 0,8 MM THICK | 1 | -,- | 2 | 11 |
| 32 | 1 612 026 023 | Clamp Handle BLACK | 1 | -,- | 1 | 13 |
| 34 | 1 610 508 008 | Protective Cap L=17 MM, SDS-PLUS | 1 | -,- | 1 | 12 |
| 35 | 1 610 206 021 | Rubber Ring | 1 | -,- | 1 | 11 |
| 37 | 1 610 390 011 | Damping Bushing | 1 | -,- | 1 | 15 |
| 38 | 1 610 102 022 | Supporting Disc | 1 | -,- | 1 | 12 |
| 39 | 1 613 100 013 | Straight Pin | 1 | -,- | 1 | 12 |
| 40 | 1 614 690 001 | Holding Spring | 1 | -,- | 1 | 11 |
| 41 | 1 610 920 003 | Roller-Cage Assembly | 1 | -,- | 1 | 14 |
| 44 | 1 614 633 001 | Compression Spring | 1 | -,- | 1 | 14 |
| 45 | 1 614 614 001 | Compression Spring | 1 | -,- | 1 | 11 |
| 49 | 2 604 448 005 | Cable L=130 MM WHITE | 1 | -,- | 2 | 11 |

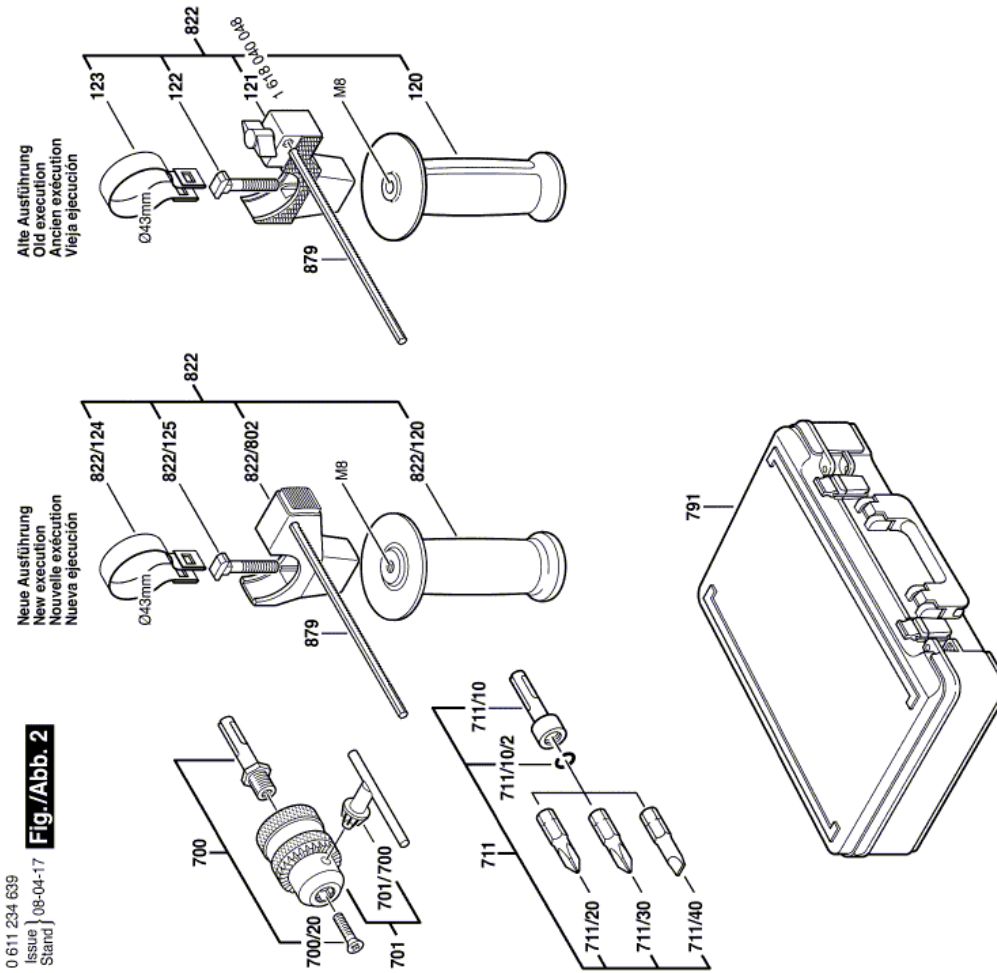
| Item | Part Number | Description | Illustration | Price | Quantity | Price Group |
|----------|---------------|---|--------------|-------|----------|-------------|
| 54 | 1 610 210 068 | O-Ring 24,0x2,5 MM | 1 | -,- | 1 | 11 |
| 55 | 1 610 206 023 | Seal ring | 1 | -,- | 1 | 14 |
| 56 | 1 610 210 070 | O-Ring 14,0x3,0 MM | 1 | -,- | 1 | 13 |
| 58 | 1 610 210 058 | O-Ring 18,0x3,0 MM | 1 | -,- | 2 | 13 |
| 59 | 1 610 210 069 | O-Ring 6,0x2,5 MM | 1 | -,- | 1 | 11 |
| 60 | 1 610 210 073 | O-Ring 10,0x3,5 MM | 1 | -,- | 1 | 12 |
| 61 | 1 610 283 017 | Rotary shaft lip seal | 1 | -,- | 1 | 20 |
| 62 | 1 610 202 026 | Plain bearing | 1 | -,- | 1 | 17 |
| 65 | 1 900 900 228 | Deep-Groove Ball Bearing 8x22x7 | 1 | -,- | 1 | 20 |
| 66 | 1 610 301 000 | Bushing Ø30xØ37x15,7 MM | 1 | -,- | 1 | 15 |
| 67 | 1 610 910 064 | Needle bearing | 1 | -,- | 1 | 14 |
| 70 | 1 903 230 013 | Ball DIN 5401-Ø7MM-III-ST | 1 | -,- | 1 | 10 |
| 71 | 1 610 101 011 | Shim washer 1,2 MM THICK | 1 | -,- | 2 | 11 |
| 72 | 2 916 540 018 | Retaining ring DIN 7993-A32 | 1 | -,- | 1 | 15 |
| 73 | 1 614 601 009 | Retaining ring DIN 9045-24 | 1 | -,- | 1 | 11 |
| 76 | 1 613 435 009 | Tapping Screw ST-4,8x57,5-TORX,T20 | 1 | -,- | 4 | 11 |
| 77 | 1 603 435 051 | Tapping Screw ST3,9x32 SILVER | 1 | -,- | 1 | 11 |
| 78 | 1 603 435 050 | Tapping Screw ST3,9x19-TORX,T20 | 1 | -,- | 4 | 11 |
| 79 | 2 910 211 005 | Tapping Screw DIN 7971-ST2,9x9,5-F | 1 | -,- | 4 | 10 |
| 80 | 2 603 435 015 | Recessed-Head Screw DIN 7981-ST3,5x9,5-F | 1 | -,- | 2 | 11 |
| 81 | 2 603 410 001 | Socket head cap screw M3x6,5-4.8 | 1 | -,- | 2 | 11 |
| 83 | 1 903 230 309 | Ball 5 MM V DIN 5401 | 1 | -,- | 1 | 11 |
| 87 | 2 916 540 012 | Retaining ring DIN 7993-A22 | 1 | -,- | 1 | 13 |
| 94 | 1 613 120 017 | Detent Pin | 1 | -,- | 1 | 11 |
| 700 | 1 617 000 154 | Drill Chuck Shank 1/2"SDS-PLUS | 2 | -,- | 1 | 31 |
| 700/20 | 2 603 421 226 | Countersunk-Head Screw M6x27 LEFTHAND THREADS | 2 | -,- | 1 | 11 |
| 701 | 1 608 571 088 | Chuck | 2 | -,- | 1 | 32 |
| 701/700 | 2 607 950 007 | Chuck Wrench SG2 | 2 | -,- | 1 | 18 |
| 711 | 1 617 000 133 | Parts Set | 2 | -,- | 1 | - |
| 711/10/2 | 2 604 601 004 | Retaining ring | 2 | -,- | 1 | 11 |
| 711/20 | 1 608 521 004 | Screwdriver Blade NR.2,1/4" | 2 | -,- | 1 | - |
| 711/30 | 2 607 000 248 | Screwdriver Bit 3 PIECE | 2 | -,- | 1 | - |
| 711/40 | 1 608 511 020 | Screwdriver Blade GR.1,0x6, 1/4" | 2 | -,- | 1 | - |
| 791 | 1 614 438 146 | Carrying Case | 2 | -,- | 1 | - |
| 802 | 2 604 220 428 | Field 110-120V | 1 | -,- | 1 | 32 |
| 803 | 1 614 010 054 | Armature With Fan 110-120V | 1 | -,- | 1 | 41 |
| 808 | 1 601 106 035 | Nameplate 26x42 MM | 1 | -,- | 1 | 13 |
| 813 | 1 617 014 132 | Carbon-Brush Set | 1 | -,- | 1 | 22 |
| 816 | 1 615 806 077 | Gear Housing BLACK | 1 | -,- | 1 | 37 |
| 821 | 1 617 000 812 | Ratchet Sleeve SDS-PLUS | 1 | -,- | 1 | 43 |
| 822 | 2 602 025 118 | Auxiliary Handle Ø43 MM | 2 | -,- | 1 | 26 |
| 822/120 | 1 612 025 019 | Auxiliary Handle M8 | 2 | -,- | 1 | 19 |
| 822/124 | 1 611 316 006 | Clamping Band Ø43 MM | 2 | -,- | 1 | 13 |
| 822/125 | 1 613 490 002 | T-Head Bolt M8x40 MM | 2 | -,- | 1 | 13 |
| 822/802 | 2 608 040 176 | index turning toolholder Ø43 MM | 2 | -,- | 1 | 19 |
| 827 | 1 617 000 338 | Striker | 1 | -,- | 1 | 28 |
| 833 | 1 617 000 163 | Protection Sleeve SDS-PLUS | 1 | -,- | 1 | 20 |
| 863 | 1 610 905 048 | Deep-Groove Ball Bearing 9x24x7 | 1 | -,- | 1 | 21 |
| 864 | 1 610 905 025 | Deep-Groove Ball Bearing 7x19x6 | 1 | -,- | 1 | 19 |
| 879 | 1 613 001 009 | Depth-Gauge SW 6x210 MM | 2 | -,- | 1 | 15 |
| 899 | 1 617 000 353 | Impact Mechanism | 1 | -,- | 1 | 50 |

Illustration - Type E



0 611 234 639
Issue | 08-04-17
Stand | **Fig./Abb. 1**

Illustration - Type E



0 611 234 639
Issue | 08-04-17 **Fig./Abb. 2**
Stand

Änderungen vorbehalten
Modifications reserved
Modificacions reservées
Salvo modificaciones

Information subject to change without further notice.