

Demolition Hammer - 0 611 311 739 - 11311EVS

www.powertools-aftersaleservice.com



BOSCH

Item	Part Number	Description	Illustration	Price	Quantity	Price Group
	1 3 615 102 507	Motor Housing BLUE	1	-,-	1	34
	2 3 614 220 509	Field 115-120V	1	-,-	1	41
	4 1 617 200 048	Switch	1	-,-	1	28
	5/1 1 900 452 003	End Splice DIN 46 228-A2,5-7	1	-,-	2	11
	6 1 610 703 053	Grommet Ø9,7-Ø12x89 MM	1	-,-	1	13
	6 3 600 703 011	Grommet Ø9,2-Ø12x120 MM	1	-,-	1	13
	7 1 601 302 018	Fastening Clamp	1	-,-	1	11
	9 2 610 994 182	Label	1	-,-	1	-
	13 2 610 909 310	Deep-Groove Ball Bearing	1	-,-	1	26
	14 1 610 910 089	Needle-Roller Bearing	1	-,-	1	30
	15 1 616 610 078	Fan	1	-,-	1	27
	16 1 610 499 022	Ratchet Sleeve	1	-,-	1	14
	17 1 610 590 004	Retaining snap ring	1	-,-	1	24
	18 1 610 119 010	Spring retaining ring	1	-,-	1	15
	18 1 610 119 010	Spring retaining ring	1	-,-	1	15
	19 1 615 700 034	Clamping-Flange	1	-,-	1	44
	20 1 618 597 067	Toolholder	1	-,-	1	47
	21 1 610 508 025	Protective Cap	1	-,-	1	16
	22 1 610 499 023	Protection Sleeve	1	-,-	1	16
	23 1 610 521 011	Stop Sleeve	1	-,-	1	28
	25 1 612 300 025	Stopping Device	1	-,-	2	22
	26 1 610 290 027	Indexing Disk	1	-,-	1	15
	27 2 910 151 246	Hex Socket Head Cap Screw DIN 912-M8x30-10.9	1	-,-	4	13
	28 1 614 621 002	Compression Spring	1	-,-	1	13
	29 1 614 621 003	Compression Spring	1	-,-	1	14
	30 1 610 210 147	O-Ring 79,5x2,65 MM	1	-,-	1	12
	31 1 610 290 026	Damping Ring	1	-,-	1	14
	34 1 610 390 029	Spacer Tube	1	-,-	1	28
	35 1 615 806 108	Hammer Pipe	1	-,-	1	43
	36 1 610 210 127	O-Ring 64,0x2,5 MM	1	-,-	1	11
	37 1 610 210 128	O-Ring 35,0x3,0 MM	1	-,-	1	11
	38 1 615 190 052	Covering hood	1	-,-	1	28
	39 1 610 283 025	Shaft Seal	1	-,-	1	26

Item	Part Number	Description	Illustration	Price	Quantity	Price Group
41	1 618 710 071	Striker Pin		1	-,-	1 30
43	1 615 808 083	Bearing cover BLUE		1	-,-	1 33
54	1 610 190 019	Control Disc		1	-,-	1 21
55	1 610 420 005	Control Bushing		1	-,-	1 30
56	1 618 700 064	Hammer Piston		1	-,-	1 24
57	1 618 710 062	Striker		1	-,-	1 40
70	1 612 001 033	Connecting Rod		1	-,-	1 24
71	1 613 101 006	Straight Pin		1	-,-	1 13
72	1 616 317 045	Eccentric Cog Wheel Z=60		1	-,-	1 44
75	1 615 132 051	Handle BLACK		1	-,-	1 35
76	1 612 026 049	Control Lever		1	-,-	1 12
77	1 612 026 048	Shift Plate GRAY		1	-,-	1 21
80	1 617 233 027	Speed governor 100-120V		1	-,-	1 39
82	1 615 510 000	Light Conductor		1	-,-	1 12
86	2 911 011 270	Hex Screw DIN 931-M8x130-8.8		2	-,-	1 13
88	1 613 349 017	Star Knob M8 BLACK		2	-,-	1 19
89	1 618 040 053	Clamping Piece		2	-,-	2 13
90	1 610 190 053	Catch Disk		2	-,-	2 10
103	1 610 210 122	O-Ring 30,0x5,0 MM		1	-,-	2 19
104	1 610 210 123	O-Ring 22,0x11,0 MM		1	-,-	1 14
111	3 610 501 500	Bushing		1	-,-	1 29
112	3 613 461 500	Threaded Ring		1	-,-	1 24
113	1 613 435 009	Tapping Screw ST-4,8x57,5-TORX,T20		1	-,-	2 11
114	1 900 210 130	O-Ring 30x2 MM		1	-,-	1 15
115	1 610 508 027	Protective Cap BLACK		1	-,-	1 14
123	1 610 913 013	Needle-Roller Assembly		1	-,-	2 21
124/1	1 610 101 608	Thrust Bearing Disc		1	-,-	1 11
125	1 613 435 010	Torx Oval-Head Screw 5,5x25		1	-,-	4 11
126	2 910 211 019	Tapping Screw DIN 7971-ST3,9x16-F		1	-,-	1 10
127	2 914 551 117	Microencapsulated Screw DIN 912-M 5x12-8.8		1	-,-	4 11
129	1 613 433 001	Screw and washer assembly 6,3x32		1	-,-	4 10
131	2 610 994 183	Warning Plate		1	-,-	1 -
136	1 613 490 029	Torx Oval-Head Screw M6x30		1	-,-	2 10
137	1 610 210 129	O-Ring 41,0x2,5 MM		1	-,-	1 15
138	1 610 210 130	O-Ring 32,0x2,5 MM		1	-,-	1 18
139	1 610 108 020	Felt Washer		1	-,-	1 19
140	1 613 435 010	Torx Oval-Head Screw 5,5x25		1	-,-	4 11
141	1 610 290 028	Rotary shaft lip seal		1	-,-	1 14
142	1 610 300 063	Bushing		1	-,-	1 27
143	2 916 540 017	Retaining ring DIN 7993 A 30		1	-,-	1 10
144	1 610 102 029	Supporting Disc		1	-,-	1 15
784	2 602 025 076	Auxiliary Handle Ø50 MM		2	-,-	1 -
801	1 617 220 075	Un. Flange-Mtd. Motor 115-120V BLUE		1	-,-	1 57
803	1 617 220 075	Un. Flange-Mtd. Motor 115-120V BLUE		1	-,-	1 57
805	1 604 460 133	Power supply cord USA/CDN 2,15m 2 x 2,08mm SJ 14/2		1	-,-	1 27
808	2 610 994 184	Nameplate		1	-,-	1 -
818	2 910 011 088	Socket head cap screw DIN 84-AM3,5x12-5.8		1	-,-	2 10
823	1 617 000 403	Needle-Roller Assembly		1	-,-	1 30
824	1 617 000 240	Ball DIN 5401-6,5MM-III-ST		1	-,-	1 13
840	1 617 000 969	Impact Mechanism Housing		1	-,-	1 52
842	1 614 336 016	Brush Holder		1	-,-	1 44
845	1 617 000 418	Housing Cover		1	-,-	1 24
883	1 604 652 015	Spiral Spring	N/A	-,-	2	11

Item	Part Number	Description	Illustration	Price	Quantity	Price Group
885	1 617 014 126	Carbon-Brush Set	2	-,-	1	26
887	1 617 000 188	Clamping Band Ø50 MM	2	-,-	1	22
889	2 910 611 012	Tapping Screw DIN 7981-ST3,5x16-C-H	2	-,-	2	10
895	3 613 344 500	Oil Return Ring	1	-,-	1	22
898	1 617 000 190	Wear and Tear Part Set	1	-,-	1	40

Illustration - Type E

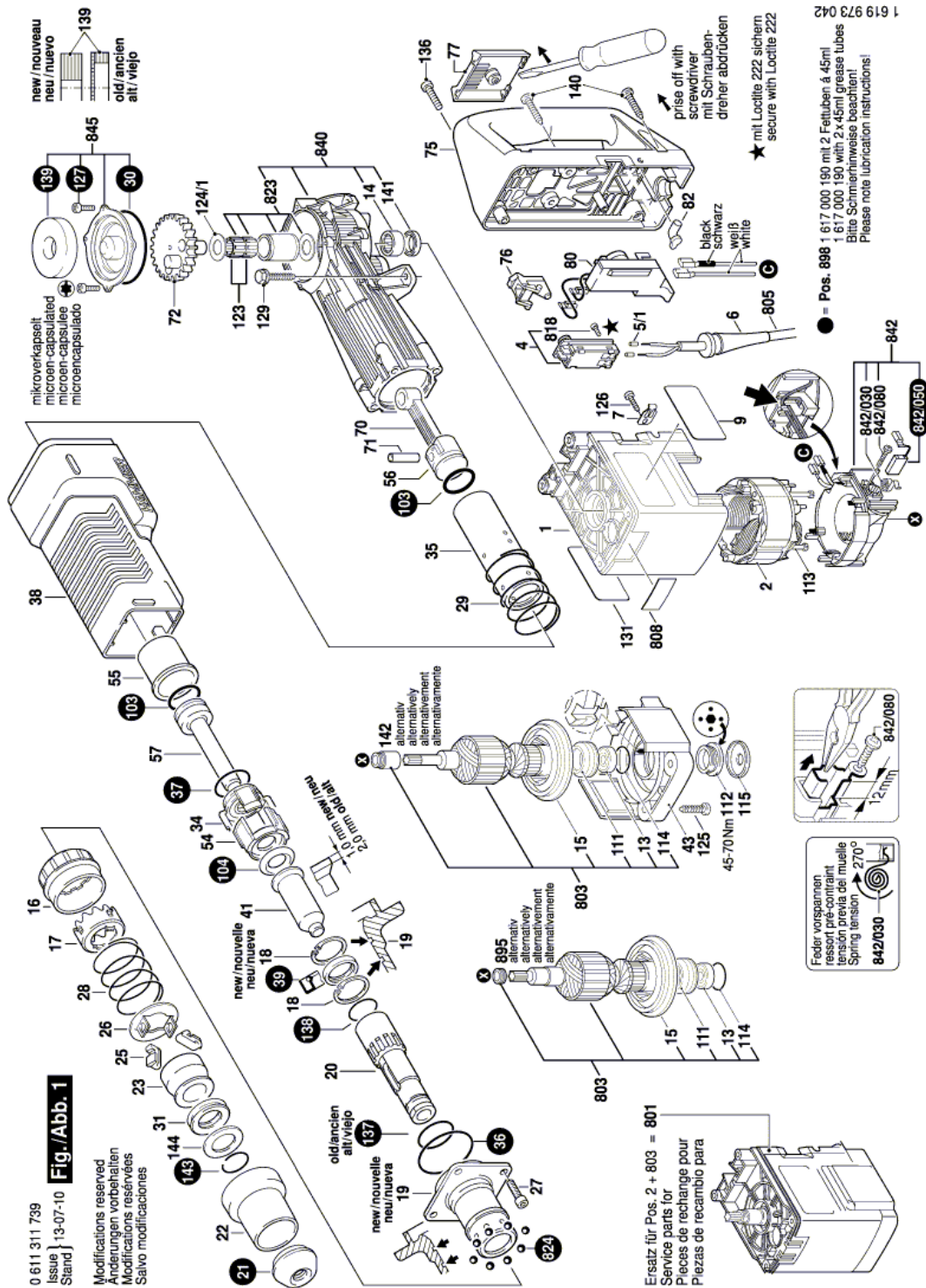
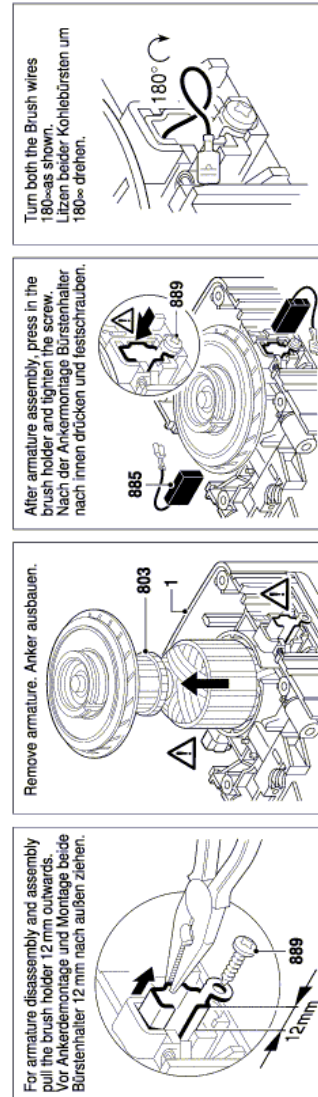
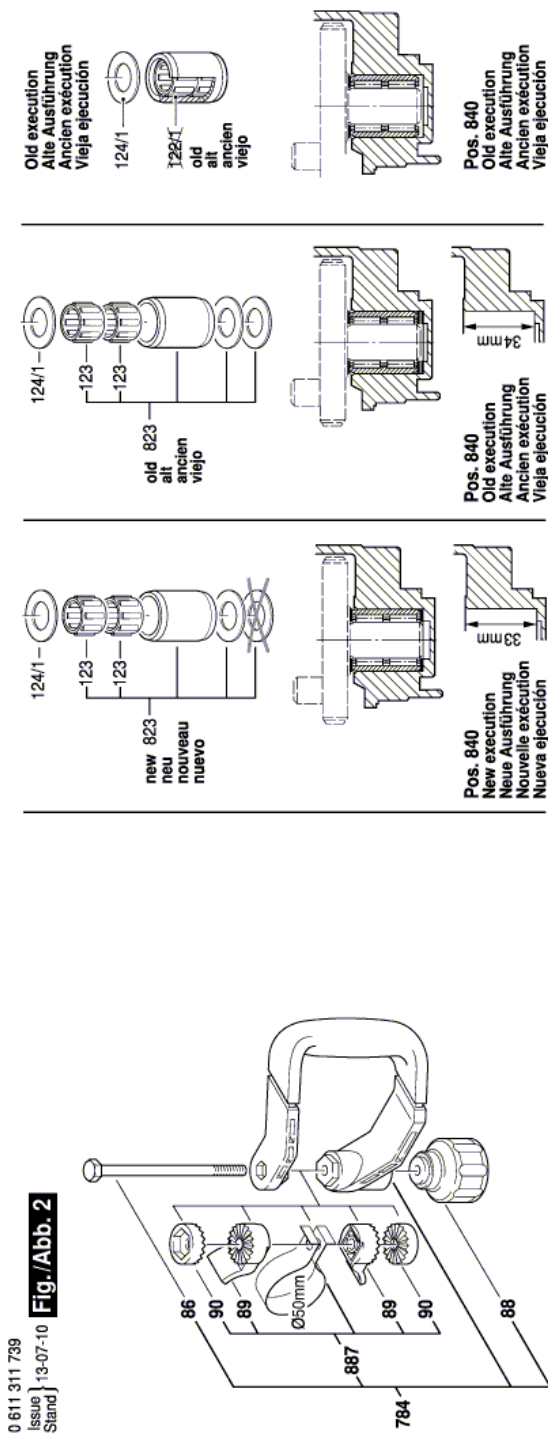


Illustration - Type E



Modifications reserved
 Änderungen vorbehalten
 Modifications réservées
 Salvo modificaciones

Information subject to change without further notice.