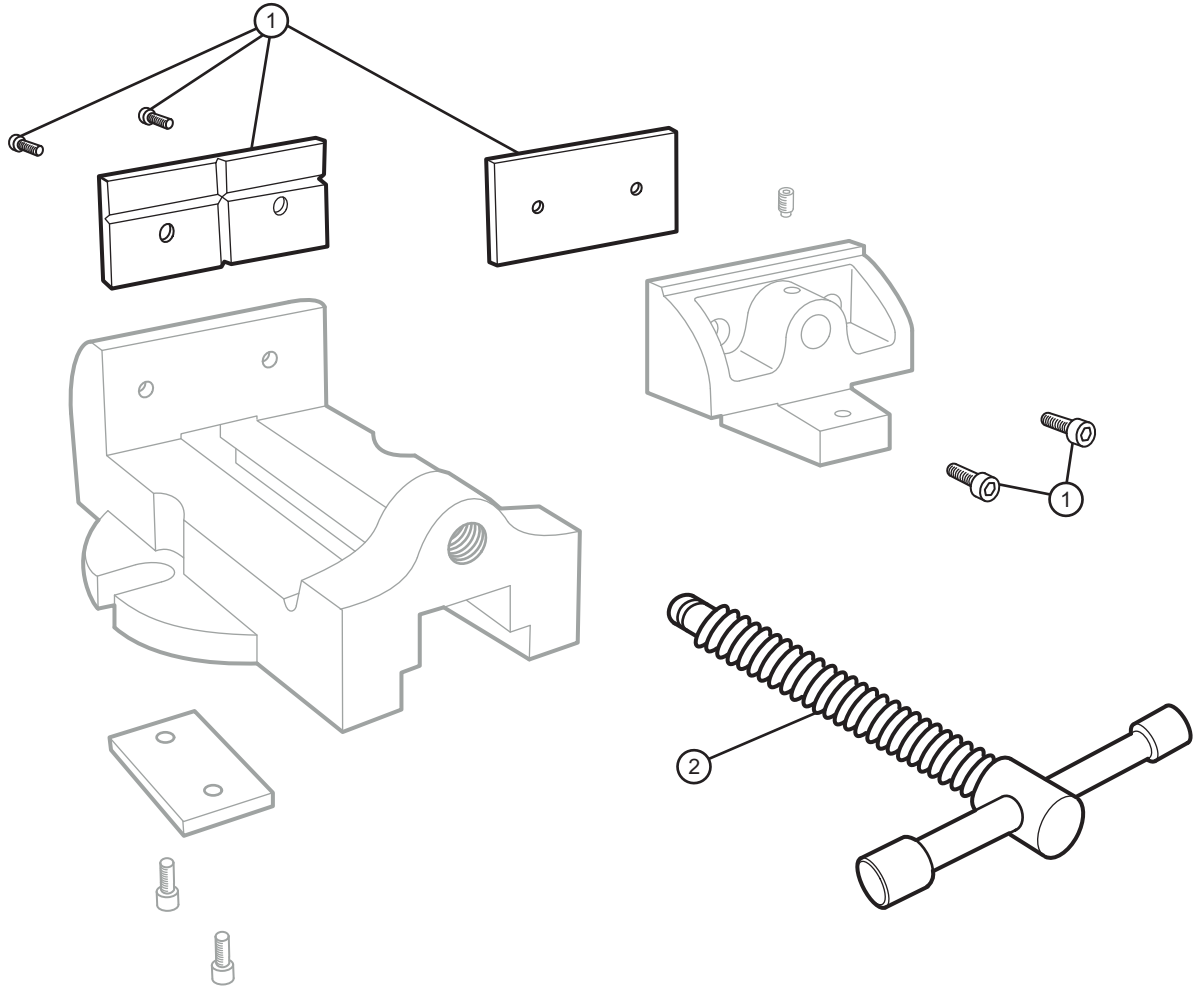




**4" Milling Machine Vise - Parts Diagram**  
4" Jaw Width, 4" Jaw Opening, 1-3/4" Jaw Depth  
Stock #: 11602 Model #: MV4



#	Part	Description
1	11602-01	Jaw Insert Assembly (4 screws)
2	11602-02	Spindle & Handle Assembly