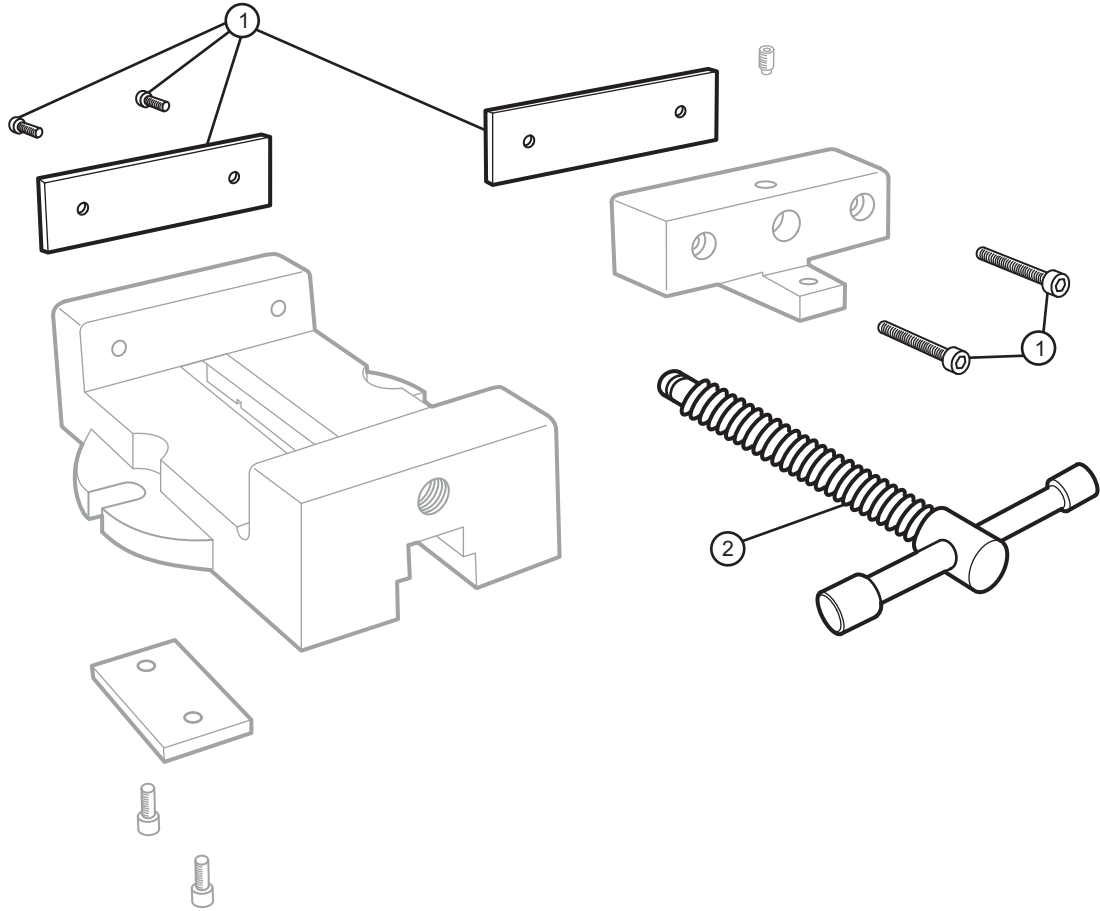




4-1/2" Low Profile Milling Machine Vise - Parts Diagram

4-1/2" Jaw Width, 4" Jaw Opening, 1-1/4" Jaw Depth

Stock #: 11614 Model #: ML45



#	Part	Description
1	11614-01	Jaw Insert Assembly (4 screws)
2	11614-02	Spindle & Handle Assembly