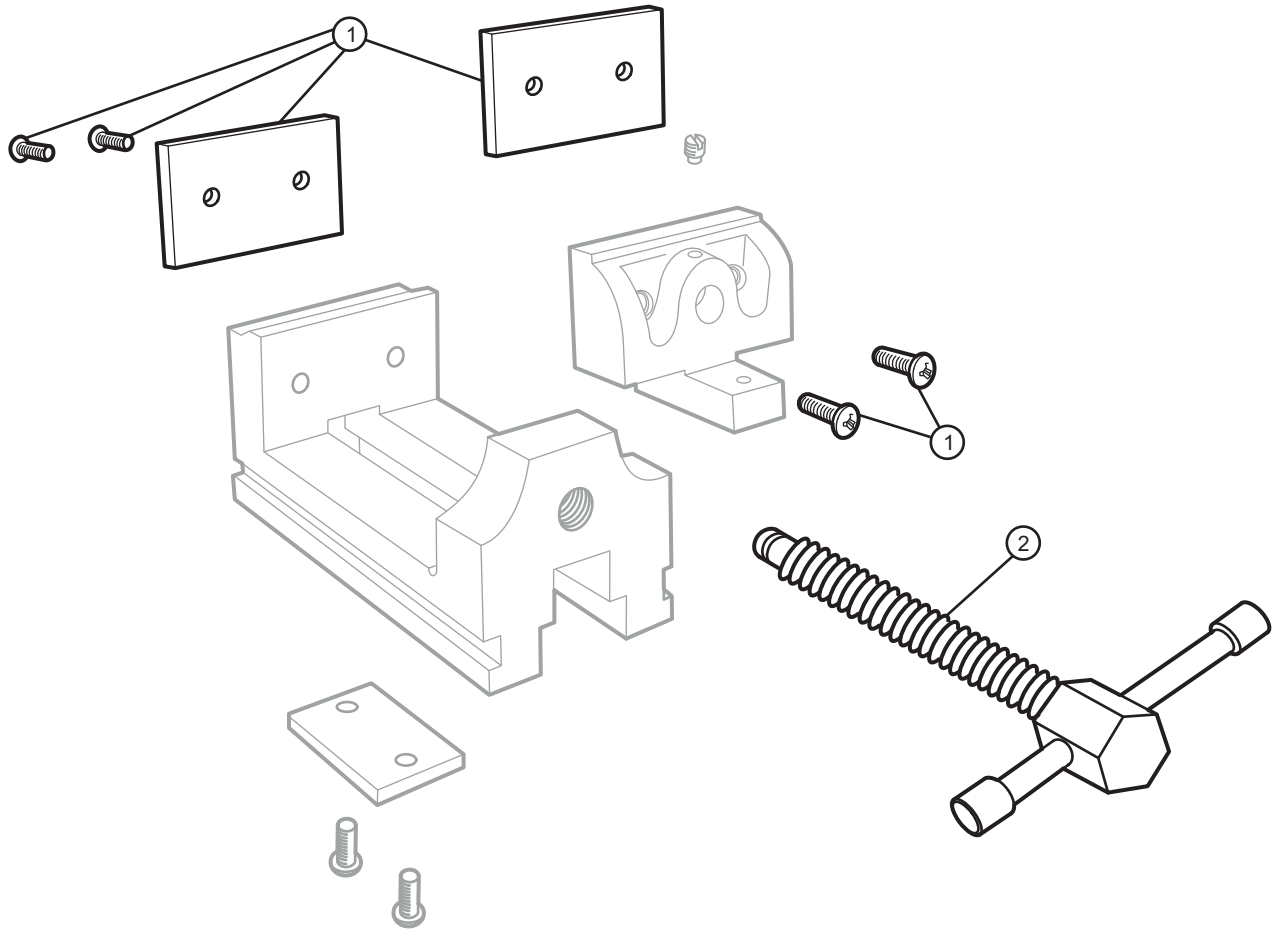




**4" Precision Drill Press Vise - Parts Diagram**

4" Jaw Width, 4" Jaw Opening, 1-3/4" Jaw Depth

Stock #: 11624 Model #: DP44



#	Part	Description
1	11624-01	Jaw Insert Assembly (4 screws)
2	11624-02	Spindle & Handle Assembly