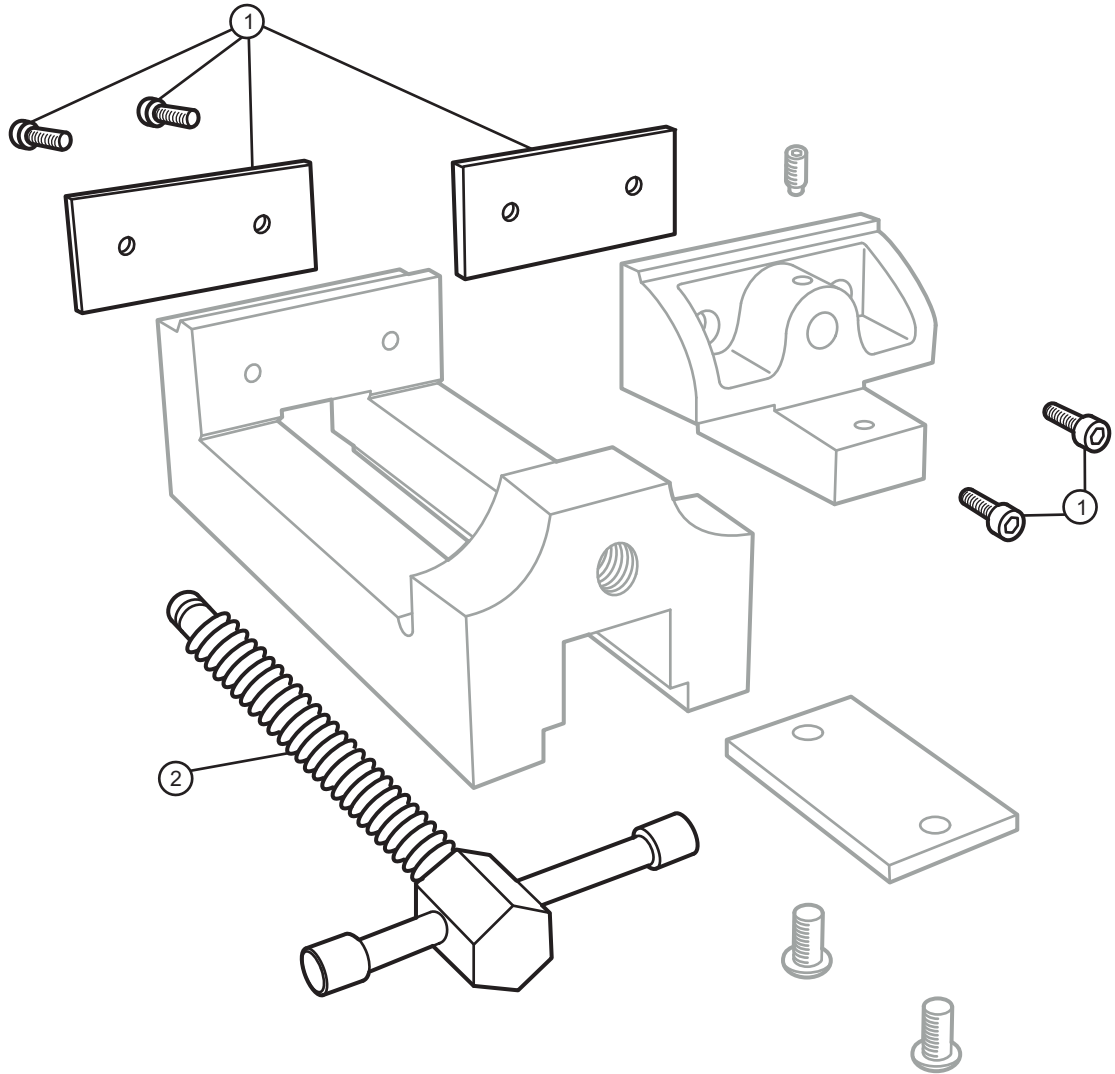




4" Ground Drill Press Vise - Parts Diagram

4" Jaw Width, 4" Jaw Opening, 1-3/4" Jaw Depth

Stock #: 11634 Model #: GR44



#	Part	Description
1	11634-01	Jaw Insert Assembly (4 screws)
2	11634-02	Spindle & Handle Assembly