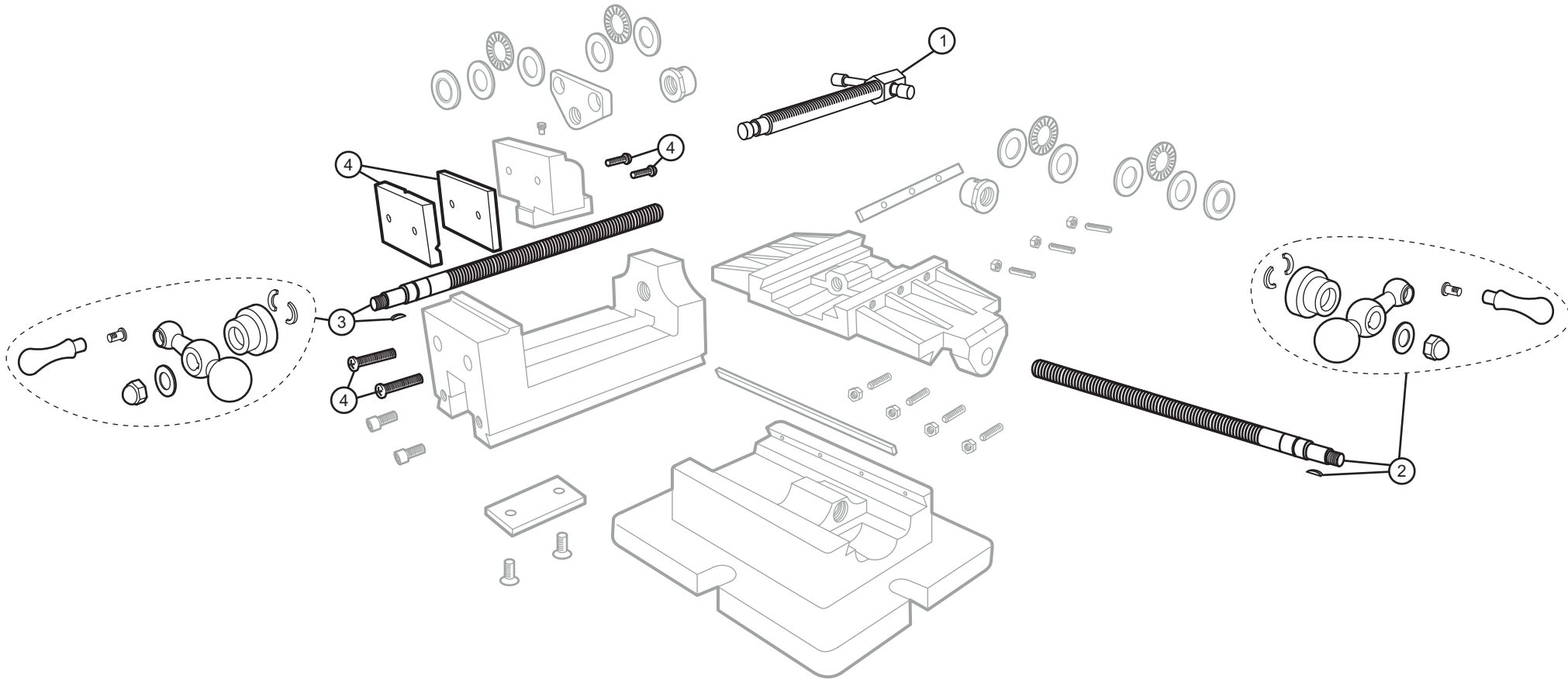




**3" Precision X/Y Axis Drill Press Vise - Parts Diagram**

3" Jaw Width, 3" Jaw Opening, 1-3/4" Jaw Depth

Stock #: 11688 Model #: DPX3



#	Part	Description
1	11688-01	Spindle & Handle Assembly -1
2	11688-02	Spindle & Handle Assembly -2
3	11688-03	Spindle & Handle Assembly -3
4	11688-04	Jaw Insert Assembly