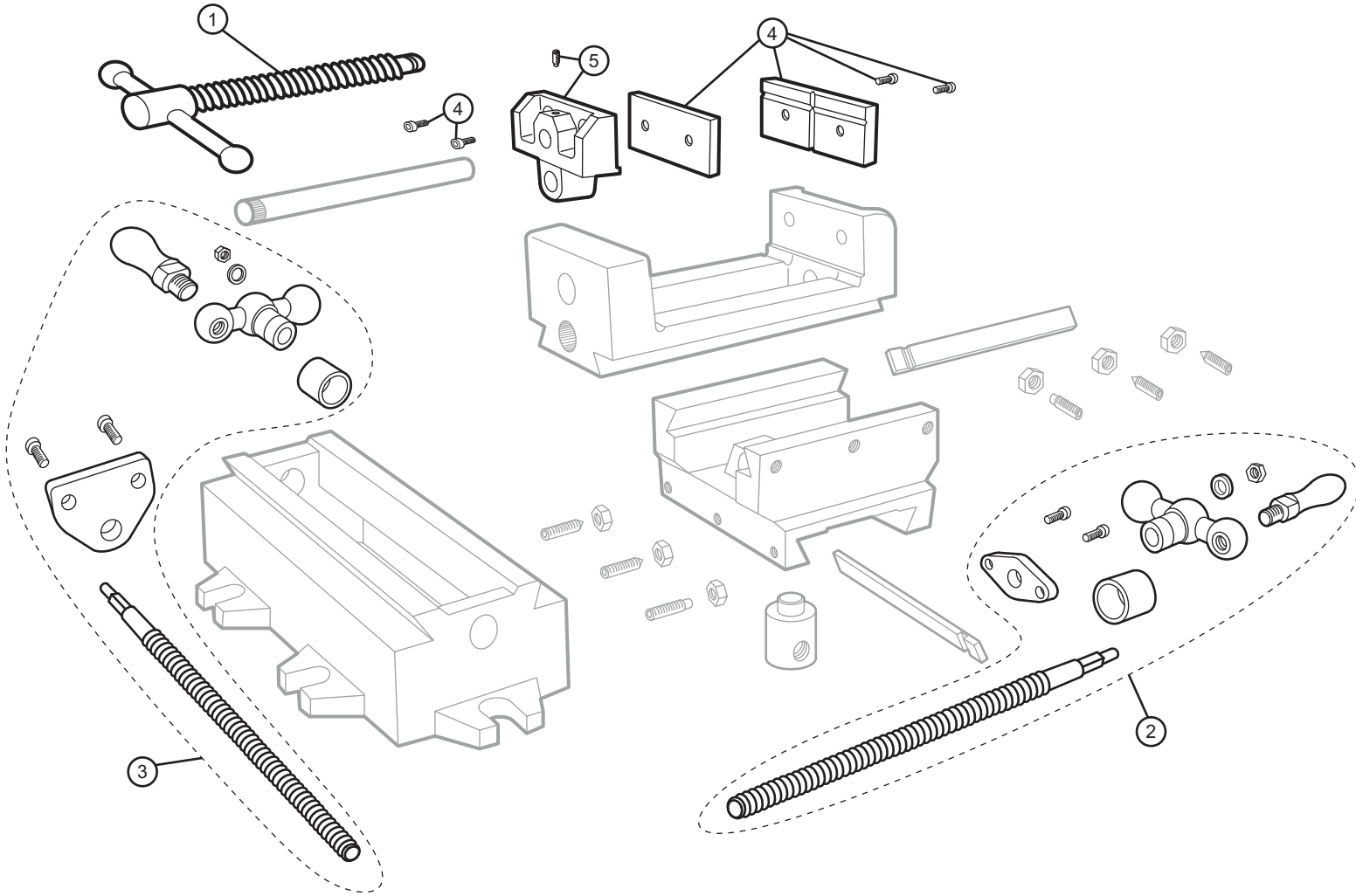




**6" Cross Slide Drill Press Vise - Parts Diagram**

6"Jaw Width, 6"Jaw Opening, 2" Jaw Depth

Stock #: 11696 Model #: CS6



#	Part	Description
1	11696-01	Handle & Spindle Assembly - 1
2	11696-02	Handle & Spindle Assembly - 2
3	11696-03	Handle & Spindle Assembly - 3
4	11696-04	Jaw Insert Assembly
5	11696-05	Moveable Jaw with Screw