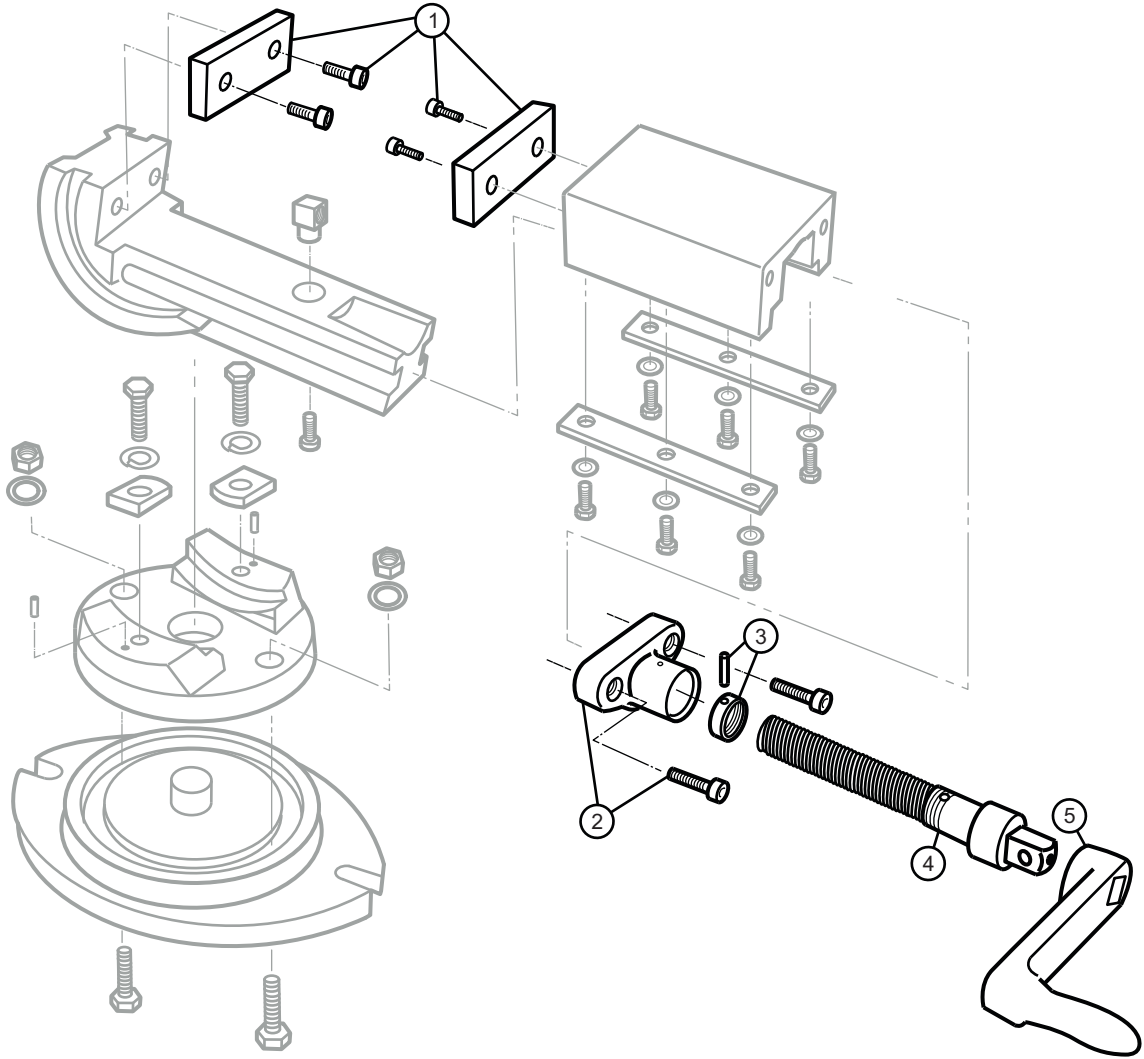




Super Precision 2-Axis Angular Machine Vise Parts Diagram

2" Jaw Width, 2" Jaw Opening, 15/16" Jaw Depth

Stock #: 111703 Model #: AMV/SP-50



#	Part	Description
1	11703-01	Jaw Insert Assembly
2	11703-02	Sleeve and Socket Head (2)
3	11703-03	Collar and Roll Pin
4	11703-04	Clamp Screw
5	11703-05	Handle