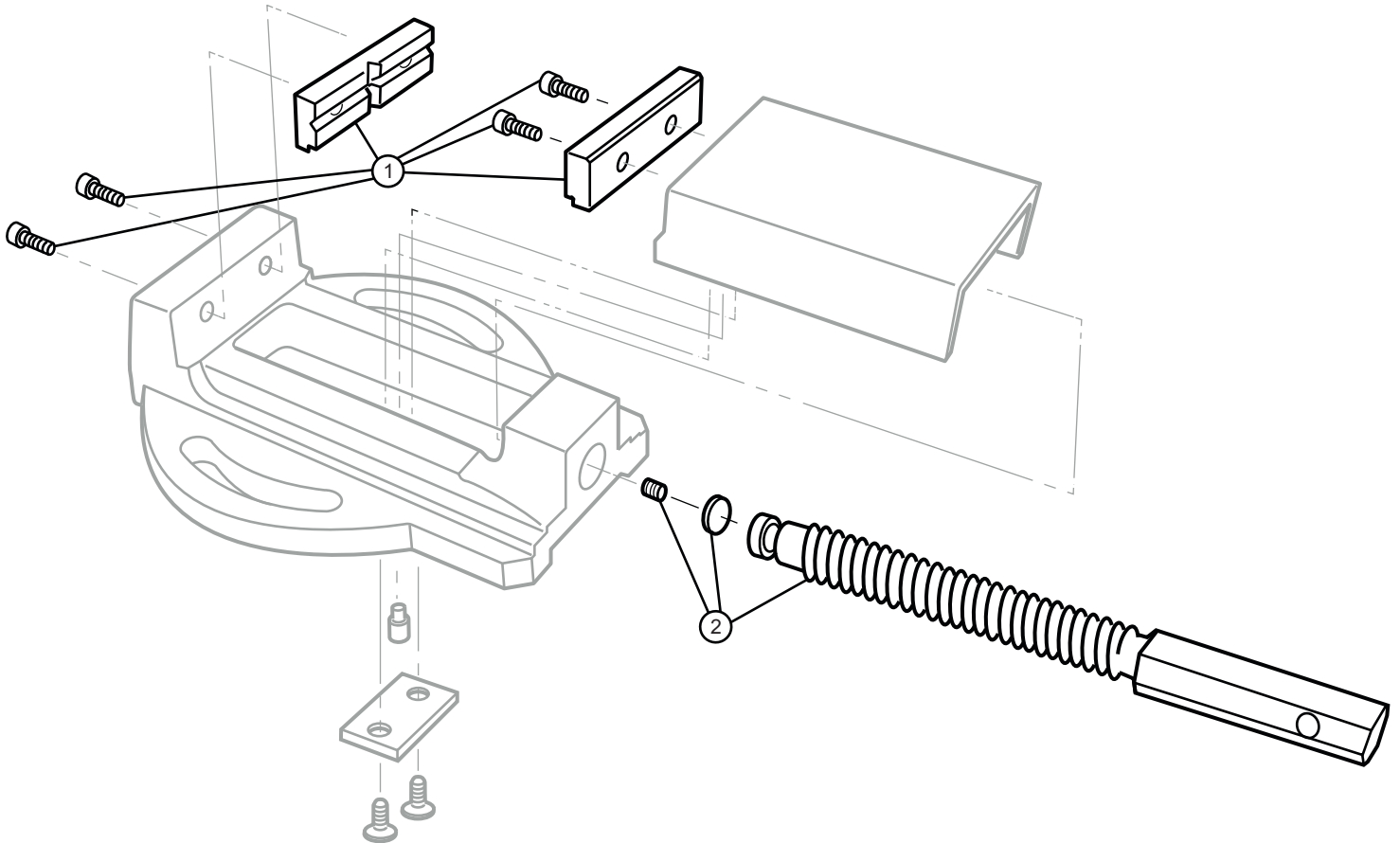


WILTON® walter meier

Super Precision Drill Press Vise Parts Diagram

3-3/16" Jaw Width, 3-1/2" Jaw Opening, 1" Jaw Depth

Stock #: 11718 Model #: DPV/80



#	Part	Description
1	11718-01	Jaw Insert Assembly
2	11718-02	Clamp Screw