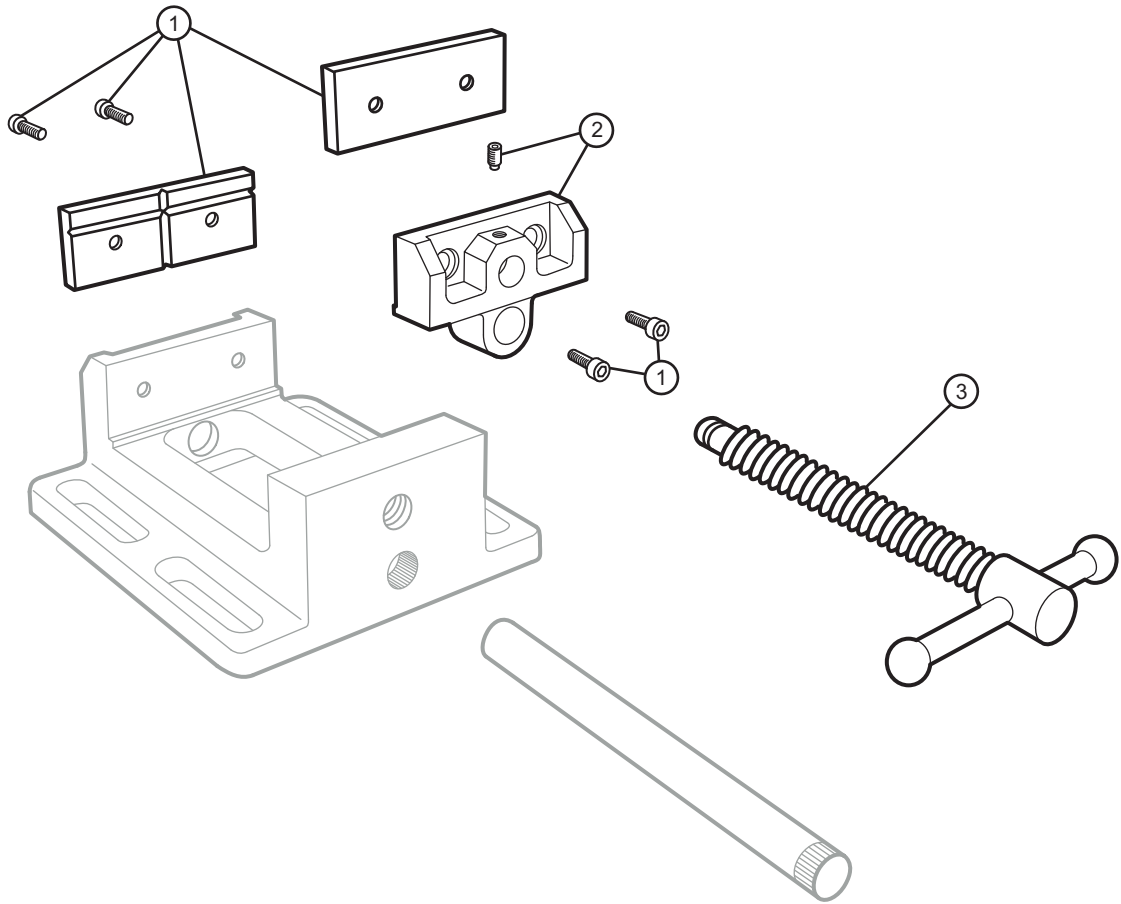




8" Low Profile Drill Press Vise - Parts Diagram

8" Jaw Width, 8" Jaw Opening, 2" Jaw Depth

Stock #: 11748 Model #: LP8



#	Part	Description
1	11748-01	Jaw Insert Assembly (4 screws)
2	11748-02	Movable Jaw & Screw
3	11748-03	Spindle & Handle Assembly