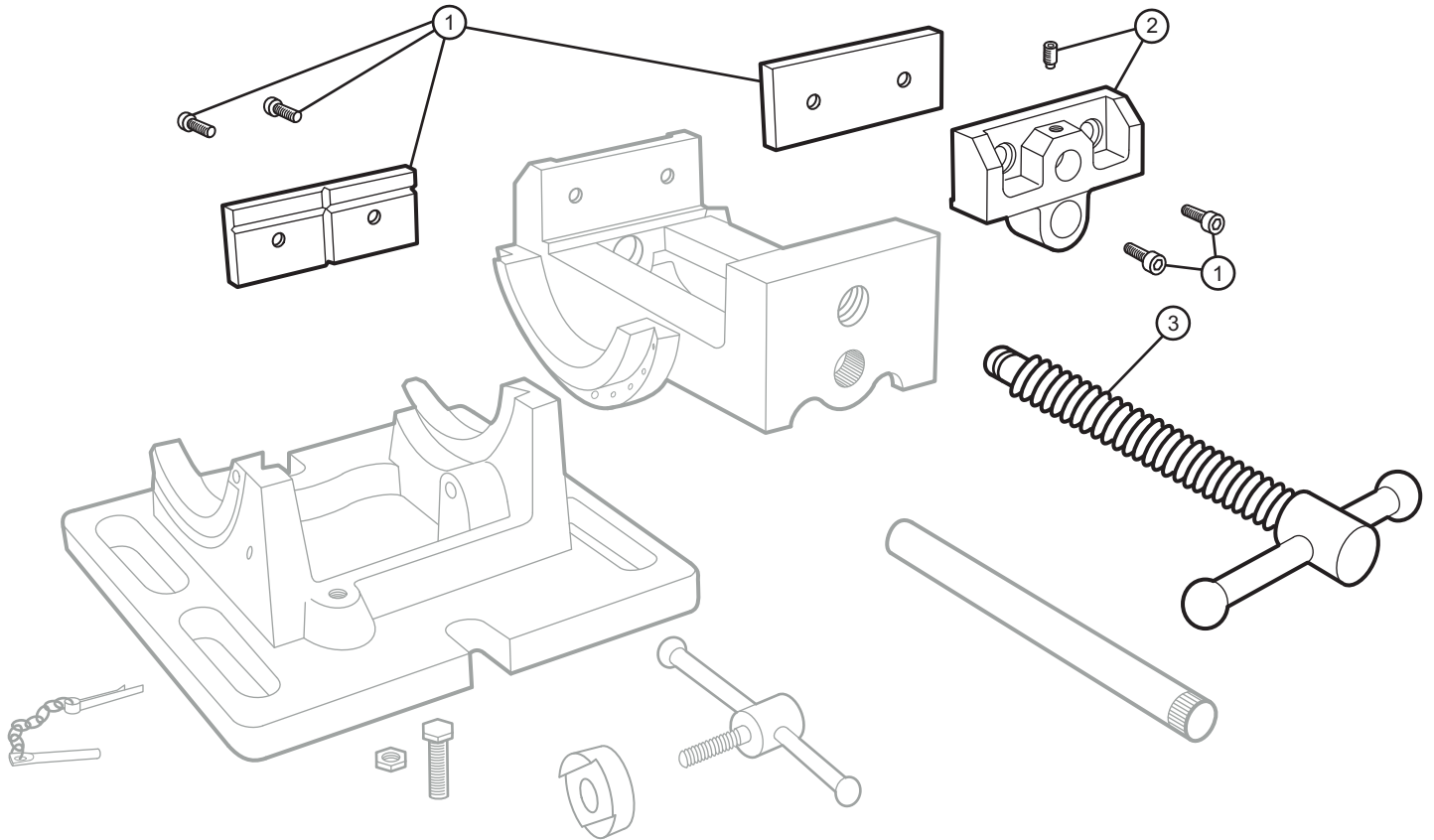




4" Cradle Style Angle Drill Press Vise - Parts Diagram

4" Jaw Width, 4" Jaw Opening, 1-1/2" Jaw Depth

Stock #: 11754 Model #: CR4



#	Part	Description
1	11754-01	Jaw Insert Assembly (4 screws)
2	11754-02	Movable Jaw & Screw
3	11754-03	Spindle & Handle Assembly