

Radial Arm Drill Press

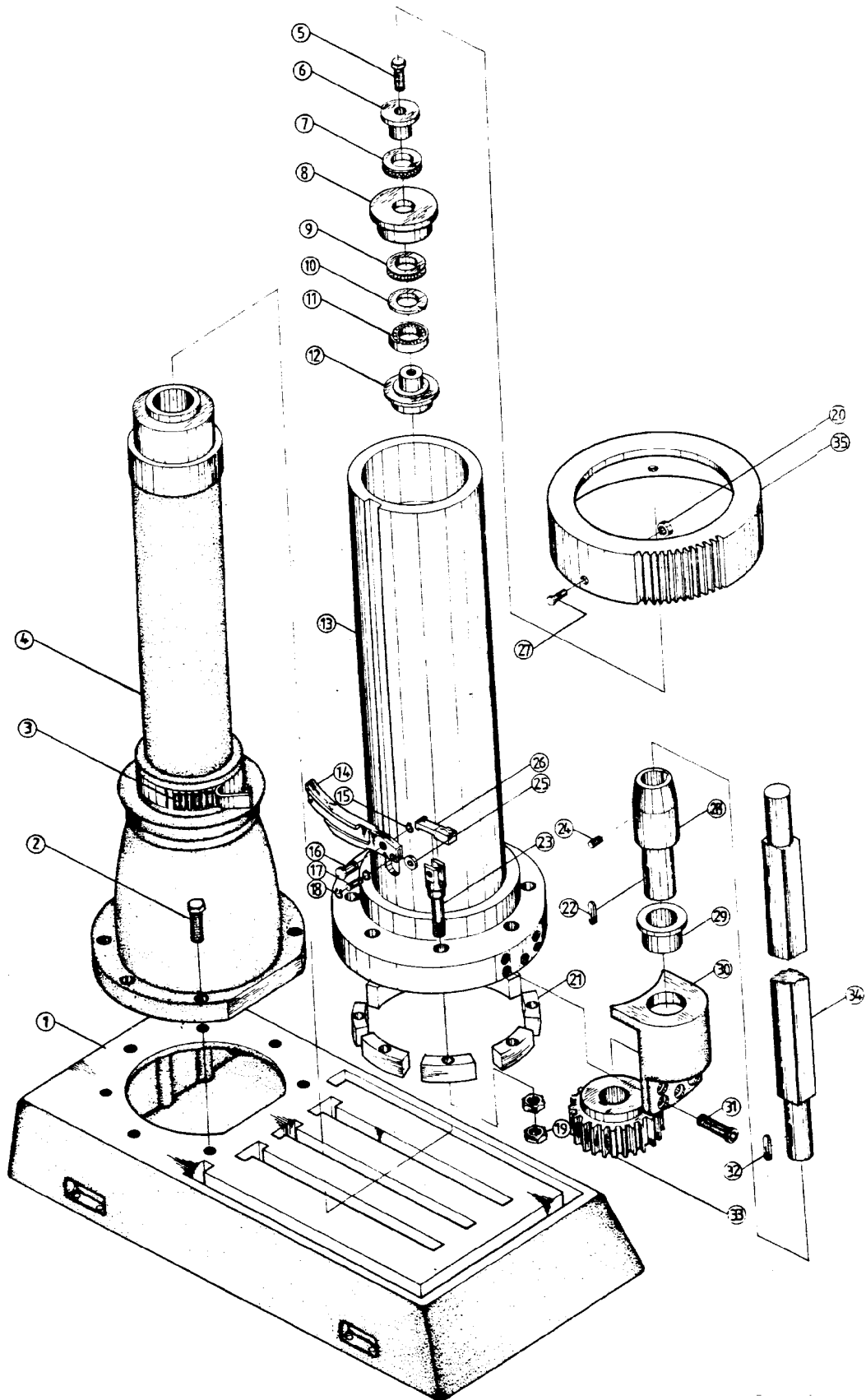
Model 1230

Operating instructions and parts manual

Part No. 9078241
Revision A



Exploded View - Column and Base



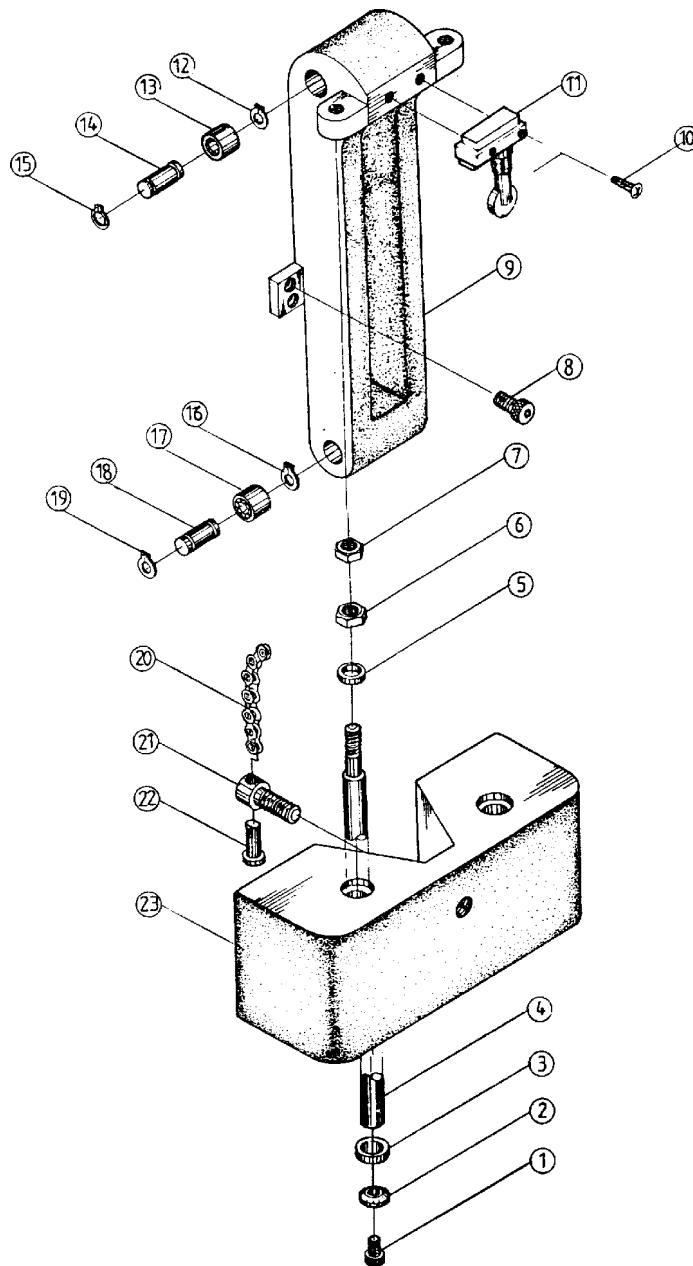
Parts List - Column and Base

Ref no.	Wilton part no.	Description
1	5232911	Base
2	5232921	Bolt
3	5232931	Needle bearing
4	5232941	Internal column
5	5232951	Bolt
6	5232961	Top bearing cover
7	5232971	Thrust bearing
8	5232981	Fixed brg. housing
9	5232991	Thrust bearing
10	5233011	Washer
11	5233021	Ball bearing
12	5233031	Top bearing cover
13	5233041	External column
14	5233051	Slip blocket
15	5233061	Retaining ring
16	5233071	Slip bar
17	5233081	Fixing shaft
18	5233091	Retaining ring
19	5233111	Nut
20	5233121	Roller
21	5233131	Wedge
22	5233141	Key
23	5233151	Elevating shaft
24	5233161	Screw
25	5233171	Roller
26	5233181	Ship blocket
27	5233191	Slip bar
28	5233211	Shaft
29	5233221	Bushing
30	5233231	Locking blocket
31	5233241	Bolt
32	5233251	Key
33	5233261	Clamping gear
34	5233271	Locking shaft
35	5233281	Locking cover

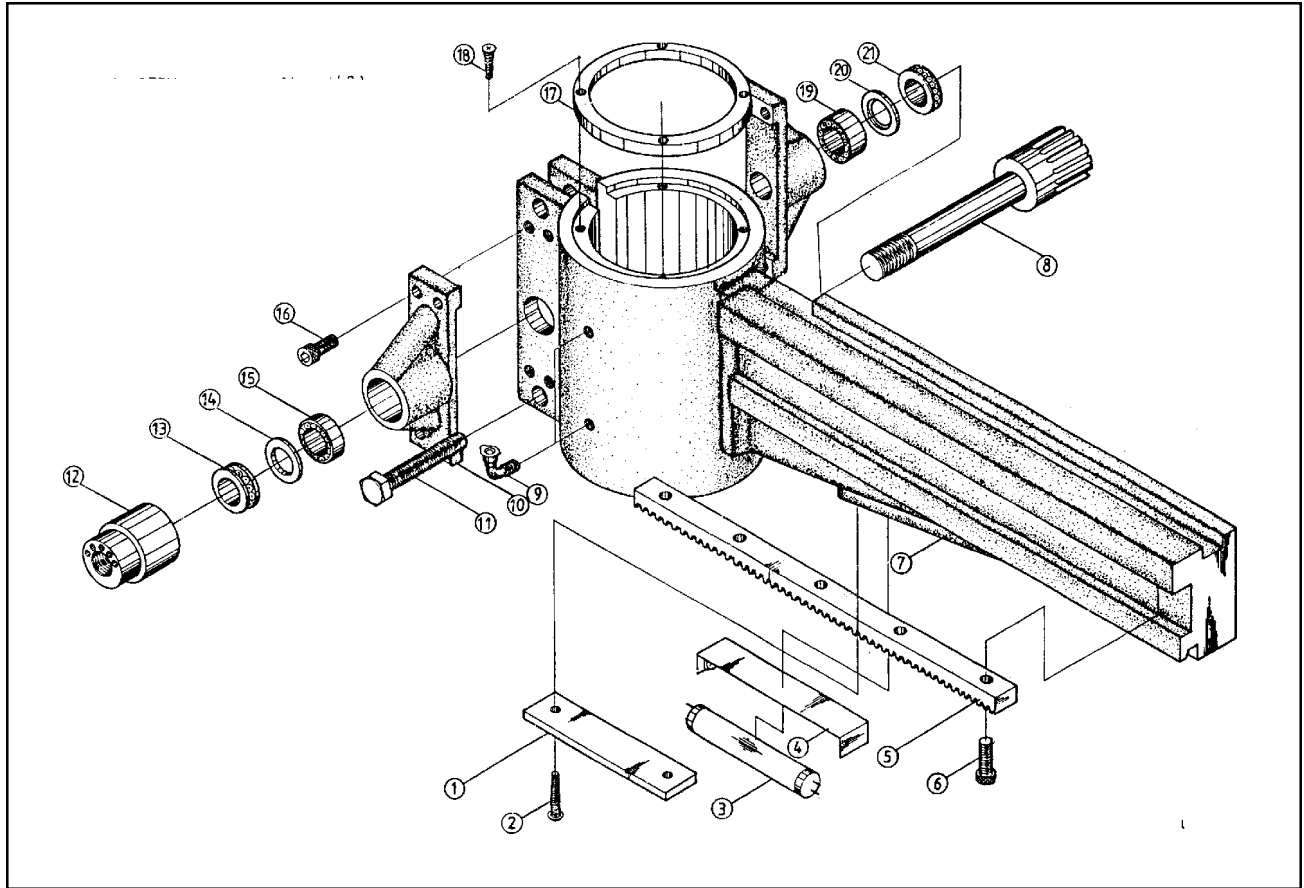
Parts List - Column Gear Box

Ref no.	Wilton part no.	Description
1	5235751	Bolt
2	5235761	Washer
3	5235771	Bushing
4	5235781	Round bar
5	5235791	Plain washer
6	5235811	Nut
7	5235821	Nut
8	5235831	Bolt
9	5235841	Chain frame
10	5235851	Screw
11	5235861	Limit switch
12	5235871	Retaining ring

Ref no.	Wilton part no.	Description
13	5235881	Needle bearing
14	5235891	Shaft
15	5235911	Retaining ring
16	5235921	Retaining ring
17	5235931	Needle bearing
18	5235941	Shaft
19	5235951	Retaining ring
20	5235961	Chain
21	5235971	Bolt
22	5235981	Chain adapter
23	5235991	Cast iron block

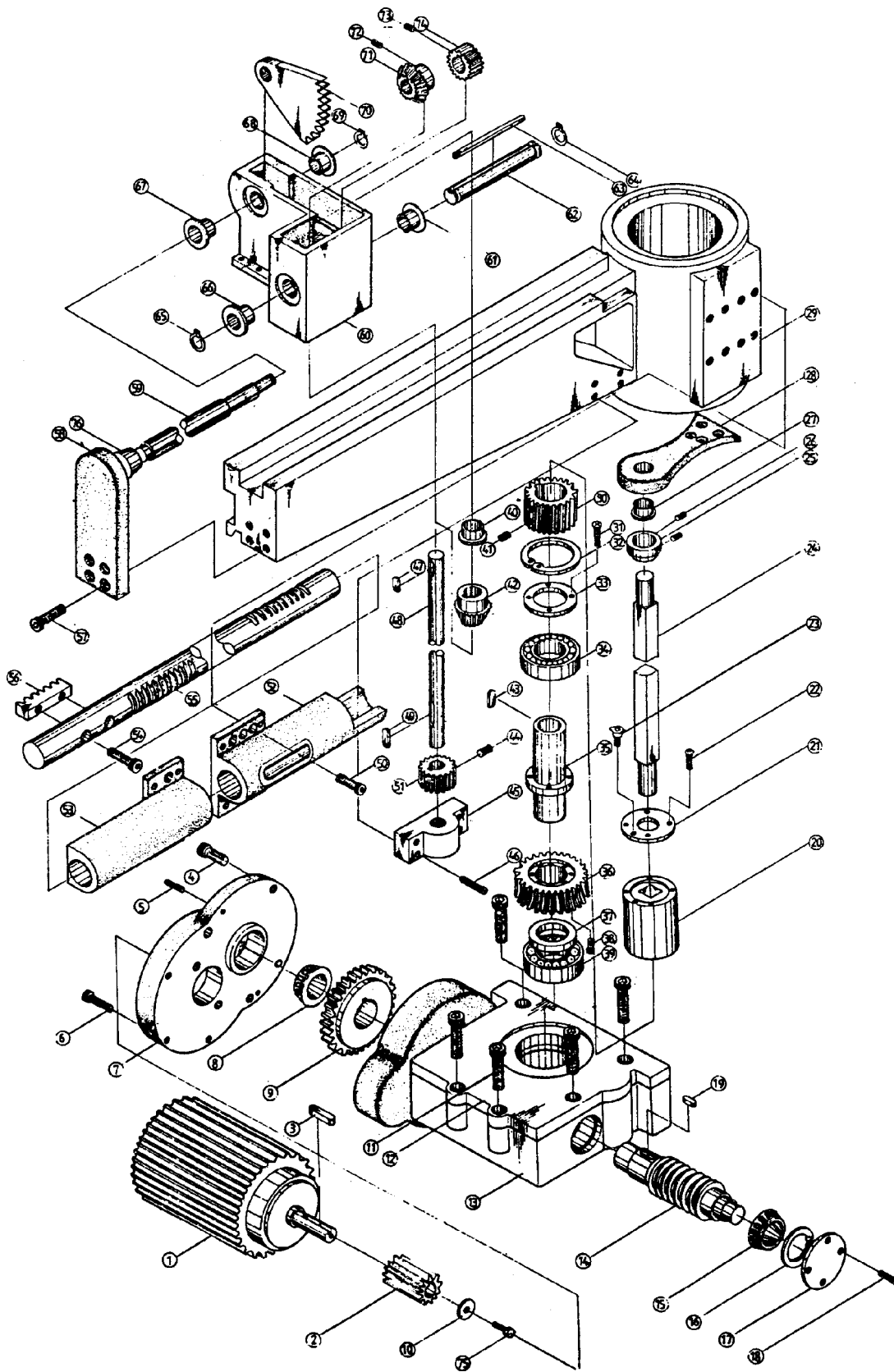


Parts List - Arm (Front)



Ref no.	Wilton part no.	Description
1	5233311	Lamp cover
2	5233321	Screw
3	5233331	Lamp
4	5233341	Lamp seat
5	5233351	Arm rack
6	5233361	Bolt
7	5233371	Arm
8	5233381	Locking shaft
9	5233391	Oil fill cup
10	5233411	Fixed clamping block
11	5233421	Bolt
12	5233431	Locking nut
13	5233441	Thrust bearing
14	5233451	Plain washer
15	5233461	Ball bearing
16	5233471	Bolt
17	5233481	Aluminum ring
18	5233491	Screw
19	5233511	Ball bearing
20	5233521	Plain washer
21	5233531	Thrust bearing

Exploded View - Arm (Rear)

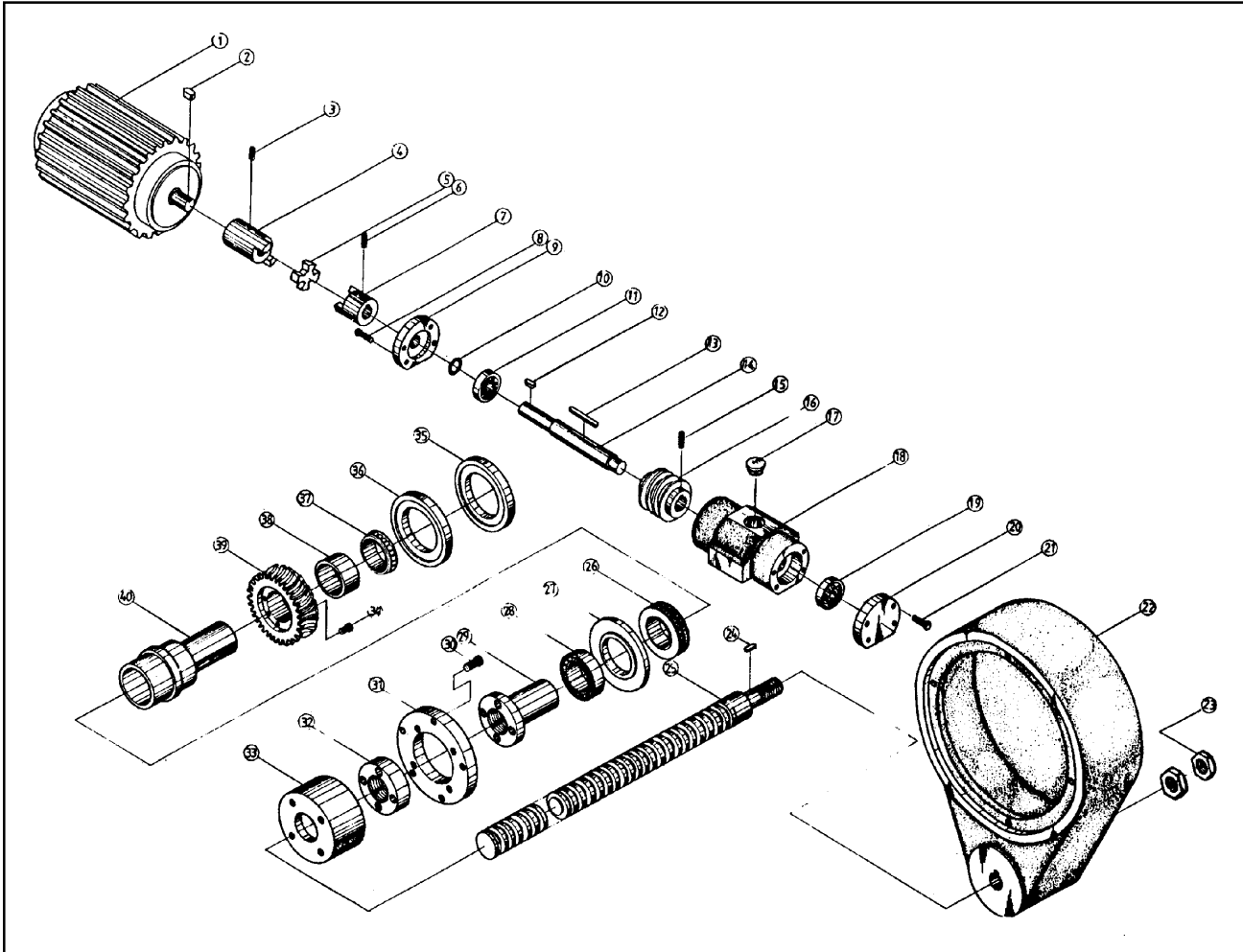


Parts List - Arm (Rear)

Ref no.	Wilton part no.	Description
1	5236011	Motor
2	5236021	Gear
3	5236031	Key
4	5236041	Bolt
5	5236051	Pin
6	5236061	Bolt
7	5236071	Upper cover
8	5236081	Taper bearing
9	5236091	Gear
10	5236111	Washer
11	5236121	Bolt
12	5236131	Gear case cover
13	5236141	Gear case
14	5236151	Worm shaft
15	5236161	Taper bearing
16	5236171	Retaining ring
17	5236181	Cover
18	5236191	Bolt
19	5236211	Key
20	5236221	Bushing
21	5236231	Cover
22	5236241	Bolt
23	5236251	Oil cup
24	5236261	Locking shaft
25	5236271	Bushing
26	5236281	Bolt
27	5236291	Bushing
28	5236311	Block
29	5236321	Arm
30	5236331	Gear
31	5236341	Bolt
32	5236351	Retaining ring
33	5236361	Cover
34	5236371	Bearing
35	5236381	Shaft
36	5236391	Worm gear
37	5236411	Plain washer
38	5236421	Bolt
39	5236431	Bearing
40	5236441	Bushing
41	5236451	Bolt
42	5236461	Gear
43	5236471	Ke
44	5236481	Bolt
45	5236491	Block
46	5236511	Bolt
47	5236521	Key
48	5236531	Shaft
49	5236541	Key

Ref no.	Wilton part no.	Description
50	5236551	Bolt
51	5236561	Gear
52	5236571	Block
53	5236581	Block
54	5236591	Bolt
55	5236611	Rack shaft
56	5236621	Rack
57	5236631	Bolt
58	5236641	Block
59	5236651	Shaft
60	5236661	Gearbox
61	5236671	Bushing
62	5236681	Shaft
63	5236691	Key
64	5236711	Retaining ring
65	5236721	Retaining ring
66	5236731	Bushing
67	5236741	Bushing
68	5236751	Bushing
69	5236761	Retaining ring
70	5236771	Gear
71	5236781	Gear
72	5236791	Bolt
73	5236811	Bolt
74	5236821	Gear
75	5236831	Bolt
76	5236841	Rubber tap

Parts List - Riser Mechanism

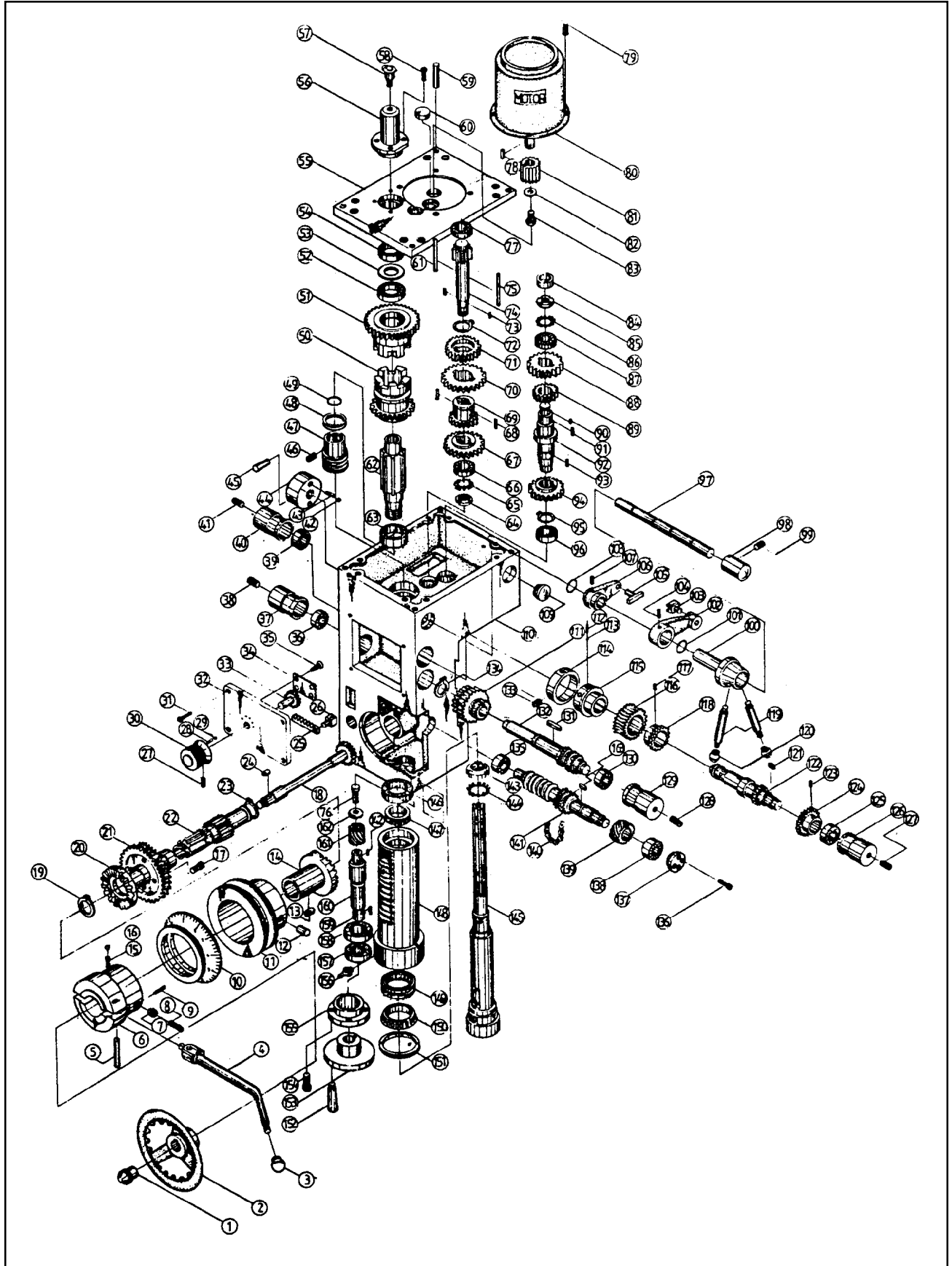


24

Ref no.	Wilton part no.	Description
1	5232451	Motor
2	5232461	Key
3	5232471	Screw
4	5232481	Adapter
5	5232491	Plastic sheet
6	5232511	Screw
7	5232521	Adapter
8	5232531	Bolt
9	5232541	Cover
10	5232551	Oil seal
11	5232561	Bearing
12	5232571	Key
13	5232581	Key
14	5232591	Shaft
15	5232611	Screw
16	5232621	Worm shaft
17	5232631	Oil level gage
18	5232641	Worm housing
19	5232651	Bearing
20	5232661	Bearing cover

Ref no.	Wilton part no.	Description
21	5232671	Bolt
22	5232681	Top cap
23	5232691	Screw nut
24	5232711	Key
25	5232721	Lead screw
26	5232731	Thrust bearing
27	5232741	Collar
28	5232751	Ball bearing
29	5232761	Brass sleeve
30	5232771	Bolt
31	5232781	Cover
32	5232791	Safety device nut
33	5232811	Safety device cover
34	5232821	Bolt
35	5232831	Collar
36	5232841	Collar
37	5232851	Tapered bearing
38	5232861	Collar
39	5232871	Worm gear
40	5232881	Up/Down rolling shaft

Exploded View - Head



Parts List - Head

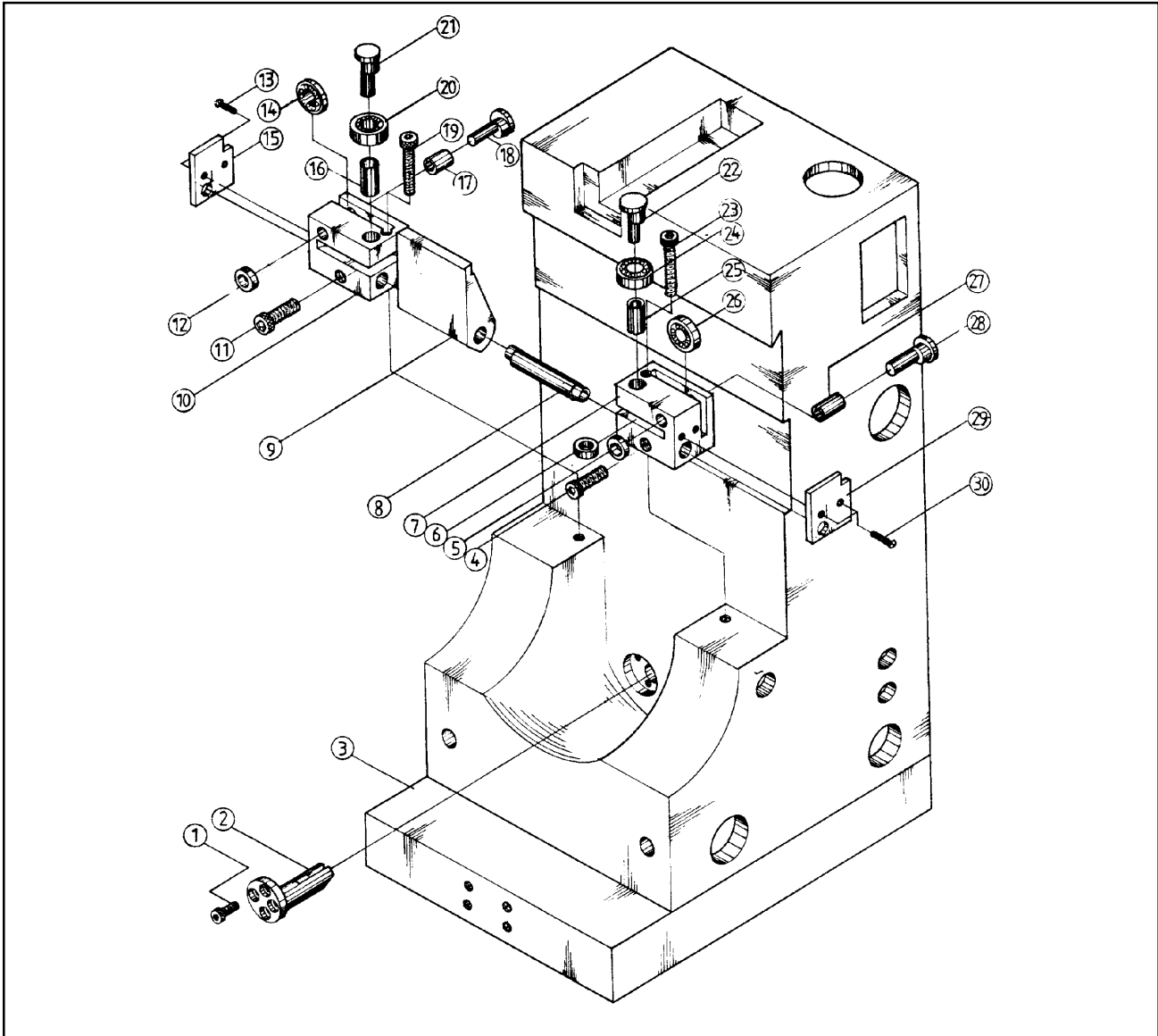
Ref no.	Wilton part no.	Description
1	5233551	Hand wheel lock nut
2	5233561	Hand wheel
3	5233571	Plastic knob
4	5233581	Feed handle
5	5233591	Pin
6	5233611	Clutch housing
7	5233621	Stopper cotter
8	5233631	Spring
9	5233641	Pin
10	5233651	Dial
11	5233661	Dial seat
12	5233671	Pin
13	5233681	Key
14	5233691	Clutch
15	5233711	Spring
16	5233721	Steel ball
17	5233731	Bolt
18	5233741	Pinion shaft
19	5233751	Retaining ring
20	5233761	Clutch
21	5233771	Worm gear
22	5233781	Gear shaft
23	5233791	Retaining ring
24	5233811	Key
25	5233821	Feed speed change rack
26	5233831	Copper block
27	5233841	Screw
28	5233851	Spring
29	5233861	Steel ball
30	5233871	Feed speed selector
31	5233881	Bolt
32	5233891	Gear box front plate
33	5233911	Feed speed change gear
34	5233921	Plate
35	5233931	Screw
36	5233941	Ball bearing
37	5233951	Bushing
38	5233961	Bolt
39	5233971	Ball bearing
40	5233981	Bushing
41	5233991	Bolt
42	5234011	Steel ball
43	5234021	Spring
44	5234031	Speed change shaft
45	5234041	Taper pin
46	5234051	Screw
47	5234061	Shaft
48	5234071	Oil seal
49	5234081	Oil seal
50	5234091	Clutch lower gear
51	5234111	Clutch upper gear
52	5234121	Ball bearing
53	5234131	Washer
54	5234141	Ball bearing

Ref no.	Wilton part no.	Description
55	5234151	Gear box cover
56	5234161	Aluminum cover
57	5234171	Oil cup
58	5234181	Bolt
59	5234191	Taper pin
60	5234211	Gasket
61	5234221	Key
62	5234231	Spindle shaft
63	5234241	Ball bearing
64	5234251	Lock nut
65	5234261	Lock washer
66	5234271	Ball bearing
67	5234281	Gear
68	5234291	Key
69	5234311	Gear
70	5234321	Gear
71	5234331	Gear
72	5234341	Retaining ring
73	5234351	Key
74	5234361	Gear shaft
75	5234371	Key
76	5234381	Gear shaft
77	5234391	Ball bearing
78	5234411	Key
79	5234421	Bolt
80	5234431	Motor
81	5234441	Gear
82	5234451	Plain washer
83	5234461	Bolt
84	5234471	Bushing
85	5234481	Lock nut
86	5234491	Lock washer
87	5234511	Ball bearing
88	5234521	Gear
89	5234531	Gear
90	5234541	Key
91	5234551	Key
92	5234561	Gear shaft
93	5234571	Key
94	5234581	Gear
95	5234591	Retaining ring
96	5234611	Ball bearing
97	5234621	Shaft
98	5234631	Shaft cover
99	5234641	Screw
100	5234651	3-step change lvr. adapter
101	5234661	Oil seal
102	5234671	Speed change rocker arm
103	5234681	Copper block
104	5234691	Bolt
105	5234711	Copper block
106	5234721	Speed change rocker arm
107	5234731	Screw
108	5234741	Oil seal

Parts List - Head

Ref no.	Wilton part no.	Description
109	5234751	Oil level gage
110	5234761	Gear box
111	5234771	Gear
112	5234781	Spring
113	5234791	Steel ball
114	5234811	Sleeve
115	5234821	Worm gear sleeve
116	5234831	Worm gear
117	5234841	Bolt
118	5234851	Gear
119	5234861	3-step speed change lever
120	5234871	Plastic knob
121	5234881	Key
122	5234891	Lower feed gear shaft
123	5234911	Screw
124	5234921	Middle gear
125	5234931	Ball bearing
126	5234941	Bushing
127	5234951	Bolt
128	5234961	Bolt
129	5234971	Bushing
130	5234981	Ball bearing
131	5234991	Key
132	5235011	Lower feed gear shaft
133	5235021	Screw
134	5235031	Retaining ring
135	5235041	Ball bearing
136	5235051	Bolt
137	5235061	Bearing cover
138	5235071	Ball bearing
139	5235081	Helical tooth
140	5235091	Chain
141	5235111	Sprocket shaft
142	5235121	Key
143	5235131	Lock nut
144	5235141	Lock washer
145	5235151	Spindle
146	5235161	Ball bearing
147	5235171	Thrust bearing
148	5235181	Quill
149	5235191	Needle bearing
150	5235211	Taper bearing
151	5235221	Set screw
152	5235231	Handle
153	5235241	Handle wheel
154	5235251	Bolt
155	5235261	Bearing housing
156	5235271	Grease inlet
157	5235281	Ball bearing
158	5235291	Ball bearing
159	5235311	Key
160	5235321	Shaft
161	5235331	Helical tooth
162	5235341	Plain washer
163	5235351	Key

Parts List - Rear of Head



28

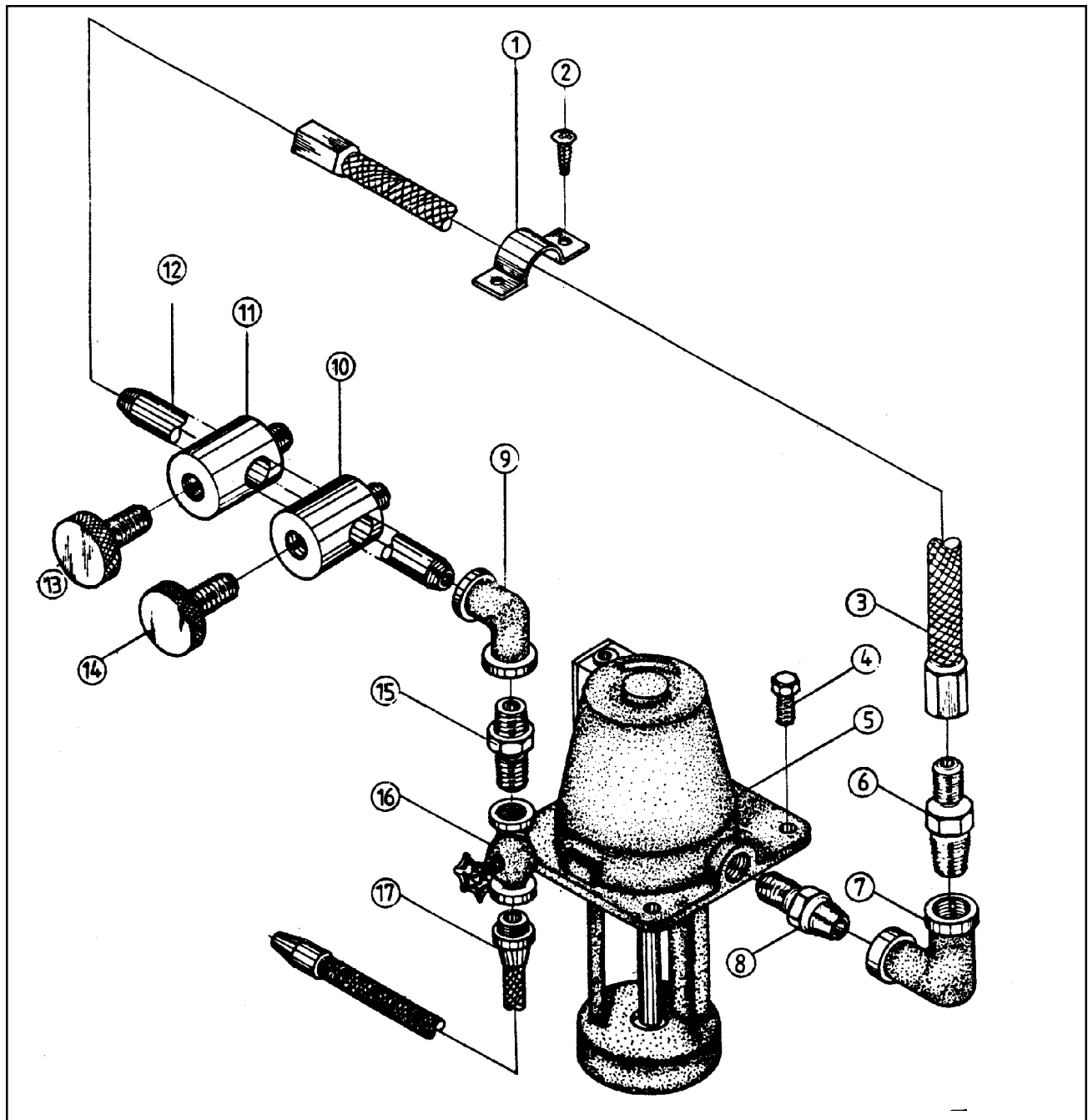
Ref no.	Wilton part no.	Description
1	5235411	Bolt
2	5235421	Eccentric shaft
3	5235431	Gear box
4	5235441	Bolt
5	5235451	Adjustable collar
6	5235461	Adjustable collar
7	5235471	Bearing bracket
8	5235481	Cam shaft
9	5235491	Cam shaft sleeve
10	5235511	Bearing bracket
11	5235521	Bolt
12	5235531	Adjustable collar
13	5235541	Bolt
14	5235551	Bearing
15	5235561	Aluminum plate

Ref no.	Wilton part no.	Description
16	5235571	Bushing
17	5235581	Bushing
18	5235591	Adjustable cam
19	5235611	Bolt
20	5235621	Bearing
21	5235631	Adjustable cam
22	5235641	Adjustable cam
23	5235651	Bolt
24	5235661	Bearing
25	5235671	Bushing
26	5235681	Bearing
27	5235691	Bushing
28	5235711	Adjustable cam
29	5235721	Aluminum plate
30	5235731	Bolt

Parts list - Flood Coolant System

Ref no.	Wilton part no.	Description
1	5232251	Fixed blade
2	5232261	Cross screw
3	5232271	Hose
4	5232281	HH Screw
5	5232291	Coolant pump
6	5232311	Fitting
7	5232321	Elbow
8	5232331	Fitting
9	5232341	Elbow

Ref no.	Wilton part no.	Description
10	5232351	Tube sleeve
11	5232361	Tube sleeve
12	5232371	Tube
13	5232381	Screw
14	5232391	Screw
15	5232411	Fitting
16	5232421	Brass valve
17	5232431	Coolant hose



Notes:

Wilton Corporation
300 South Hicks Road
Palatine, IL 60067
TEL: 1-888-594-5866
FAX: 1-800-626-9676