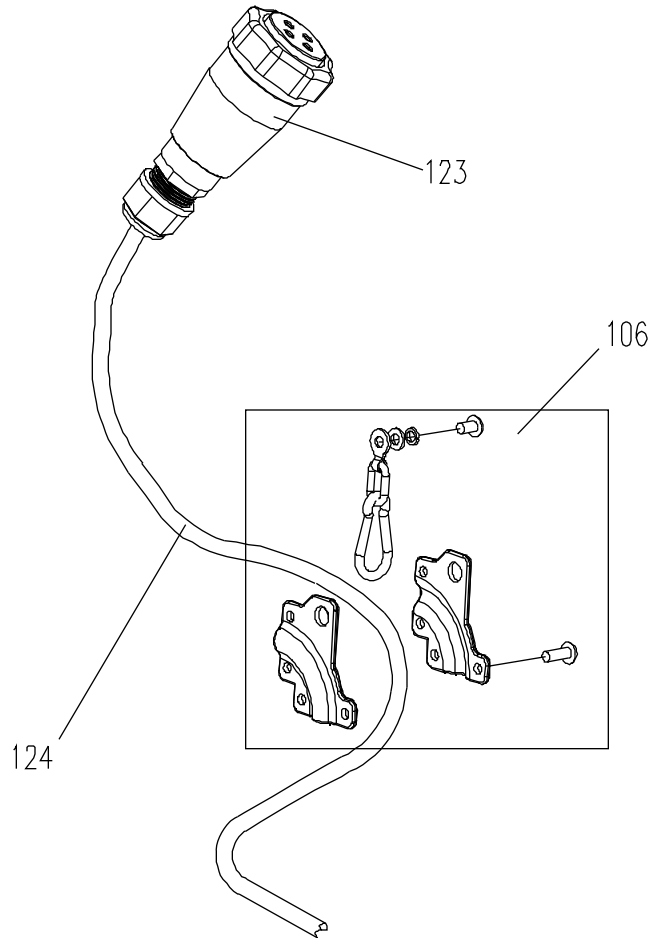


Replacement Parts

Replacement parts are listed on the following pages. To order parts or reach our service department, call 1-800-274-6848 Monday through Friday (see our website for business hours, www.jettools.com). Having the Model Number and Serial Number of your machine available when you call will allow us to serve you quickly and accurately.

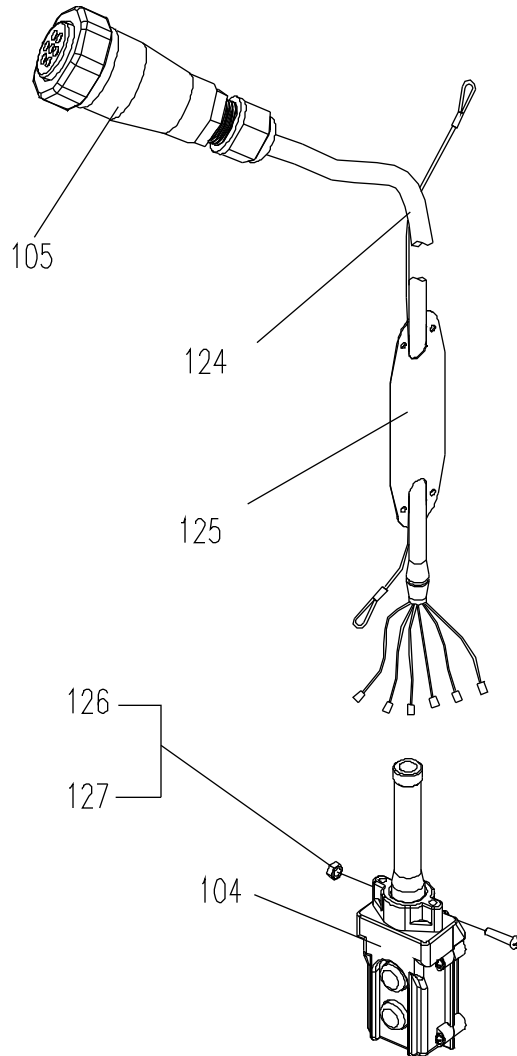
Power Cord Assembly

Index No.	Part No.	Description	Size	Qty
106	1/2SS-3C-106	Cord Holder Assembly		1
123	1/2SS-3C-123UG	Male Plug	4P	1
124	1/2SS-1C-124	Power Cord for 1 Phase		1
	1/2SS-3C-124	Power Cord for 3 Phase		1

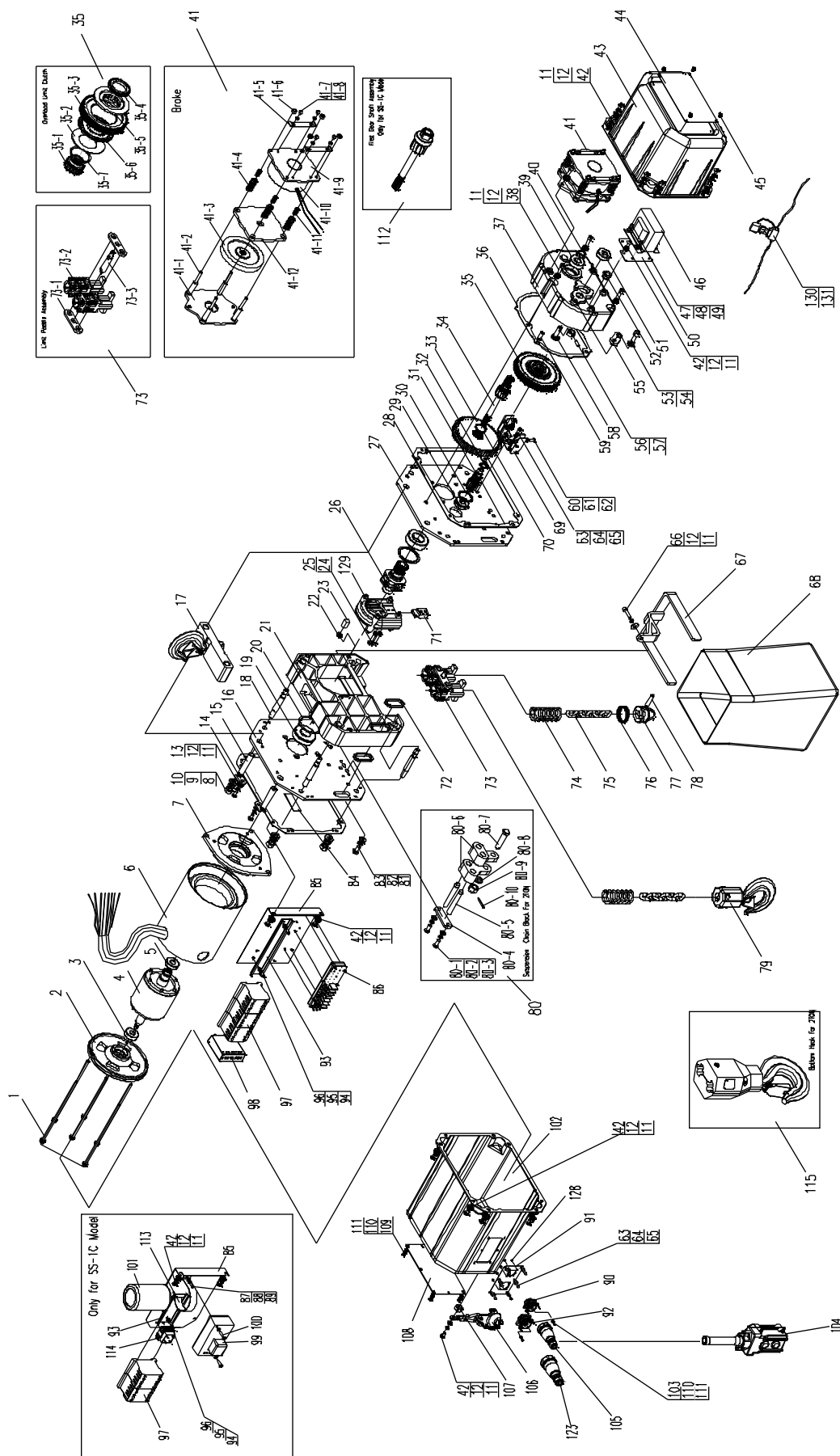


Control Pendant Assembly

Index No.	Part No.	Description	Size	Qty
104	1/2SS-3C-104	Pushbutton Control (1 and 3 Phase, Single Speed)		1
	1/2DS-3C-104	Pushbutton Control (3 Phase, Dual Speed)		1
105	1/2SS-3C-105UG	Male Plug	7P	1
124	1/2SS-3C-124A	Pushbutton Cord		1
125	1/2SS-3C-125	Caution Tag		1
126	1/2SS-3C-126	Phillips Pan Head Machine Screw	M4x25	1
127	TS-1541001	Nylon Lock Hex Nut	M4	1



1/2-Ton, 1-Ton and 2-Ton Chain Hoists



Parts List: 1/2-Ton Chain Hoist

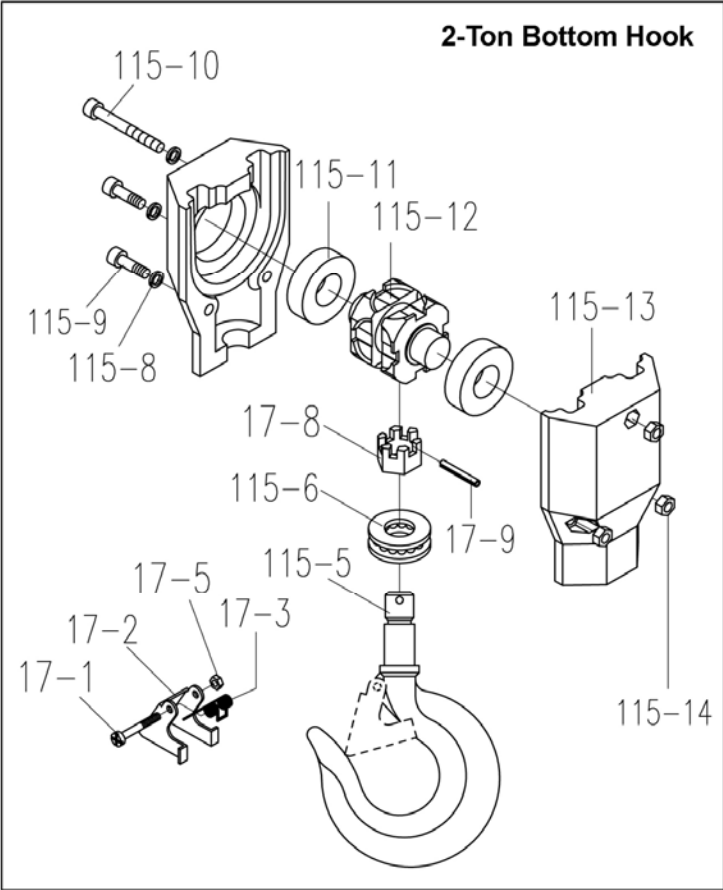
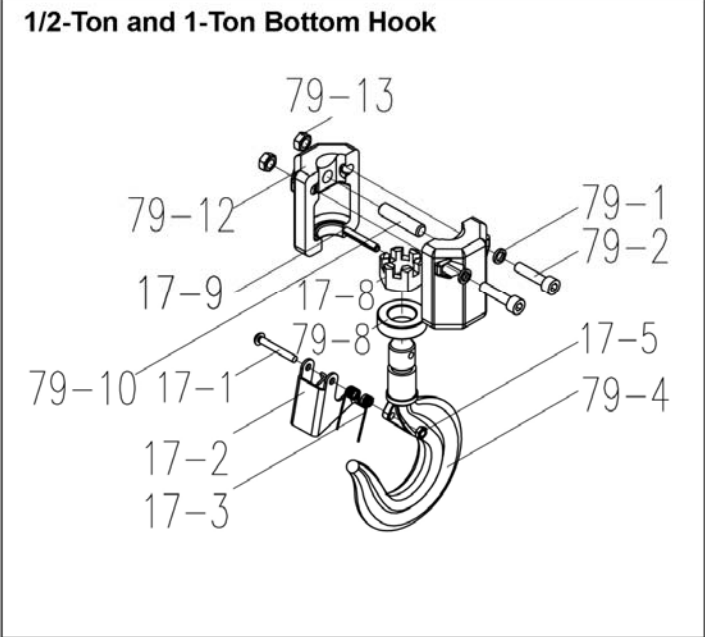
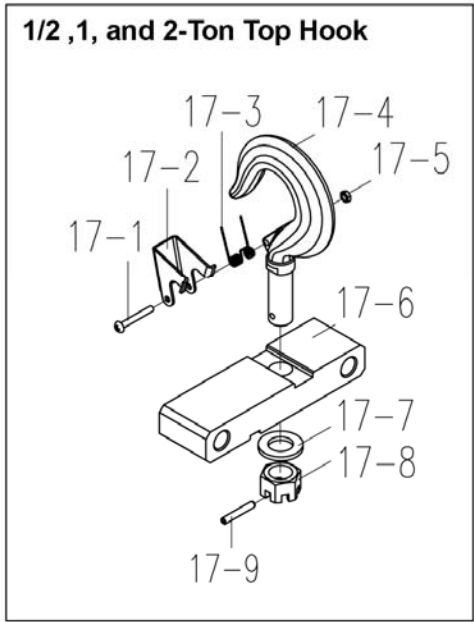
Index No.	Part No.	Description	Size	Qty
1	1/2SS-3C-001	Motor Stay Bolt		3
2	1/2SS-1C-002	Motor Bracket for 1 Phase		1
	1/2SS-3C-002	Motor Bracket for 3 Phase		1
3	1/2SS-3C-003	Ball Bearing	180201kz1	1
4	1/2SS-1C-004	Rotor Assembly for 1 Phase		1
	1/2SS-3C-004	Rotor Assembly for 3 Phase, Single Speed		1
	1/2DS-3C-004	Rotor Assembly for 3 Phase, Dual Speed		1
5	1/2SS-3C-005	Ball Bearing	180204kz1	1
6	1/2SS-1C-006	Motor Case Assembly for 1 Phase		1
	1/2SS-3C-006	Motor Case Assembly for 3 Phase, Single Speed		1
	1/2DS-3C-006	Motor Case Assembly for 3 Phase, Dual Speed		1
7	1/2SS-1C-007	Motor Right-End Cover for 1 Phase		1
	1/2SS-3C-007	Motor Right-End Cover for 3 Phase		1
8	1/2SS-3C-008	Hex Nut	M10	8
9	1/2SS-3C-009	Lock Washer	10mm	8
10	1/2SS-3C-010	Plain Washer	10mm	8
11	1/2SS-3C-011	Plain Washer	6mm	30
12	1/2SS-3C-012	Lock Washer	6mm	30
13	1/2SS-3C-013	Phillips Pan Head Machine Screw	M6x12	2
14	1/2SS-3C-014	Stay Bolt Block for Top Hook Assembly		2
15	1/2SS-3C-015	Stay Bolt for Top Hook Assembly		2
16	1/2SS-3C-016	Motor Side Plate		1
17	1/2SS-3C-017	Top Hook Assembly		1
18	1/2SS-3C-018	Stay Bolt for Motor Side Plate		4
19	1/2SS-3C-019	Ball Bearing with Retainer	150205	2
20	1/2SS-3C-020	Stop Ring	52/57.9	2
21	1/2SS-3C-021	Sheave Cover		1
22	1/2SS-3C-022	Locknut	M6	1
23	1/2SS-3C-023	Rubber Plug		2
24	1/2SS-3C-024	Socket Head Cap Screw	M5x25	2
25	1/2SS-3C-025	Lock Washer	5mm	2
26	1/2SS-3C-026	Lift Wheel		1
27	1/2SS-3C-027	Gear Side Plate		1
28	1/2SS-3C-028	Gear Side Plate Gasket		2
29	1/2SS-3C-029	Ball Bearing with Retainer	150201	1
30	1/2SS-3C-030	Stop Ring	32/36.6	1
31	1/2SS-3C-031	Second Gear Shaft		1
32	1/2SS-3C-032	Snap Ring	16mm	1
33	1/2SS-3C-033	Lift Gear		1
34	1/2SS-3C-034	First Gear Shaft for 3 Phase		1
35	1/2SS-3C-035	Overload Limit Clutch		1
35-1	1/2SS-3C-03501	Spline Sleeve		1
35-2	1/2SS-3C-03502	Wing Spring		1
35-3	1/2SS-1C-03503	Middle Gear for 1 Phase		1
	1/2SS-3C-03503	Middle Gear for 3 Phase		1
35-4	1/2SS-3C-03504	Adjust Round Nut		1
35-5	1/2SS-3C-03505	Clutch Support		1
35-6	1/2SS-3C-03506	Friction Disc		1
35-7	1/2SS-3C-03507	Adjust Washer		1
36	1/2SS-3C-036	Gear Case Seal		1
37	1/2SS-3C-037	Gear Case		1
38	1/2SS-3C-038	Socket Head Cap Screw	M6x20	5
39	1/2SS-3C-039	Ball Bearing	180202kz1	1
40	1/2SS-3C-040	Snap Ring (for 3 Phase only)	15mm	1
41	1/2SS-1C-041	DC Brake for 1 Phase		1
	1/2SS-3C-041	DC Brake for 3 Phase		1
41-1	1/2SS-3C-04101	Brake Bracket		2

41-2	1/2SS-3C-04102	Brake Stay Bolt	2
41-3	1/2SS-1C-04103	Friction Pad for 1 Phase	1
	1/2SS-3C-04103	Friction Pad for 3 Phase	1
41-4	1/2SS-1C-04104	Brake Spring for 1 Phase	4
	1/2SS-3C-04104	Brake Spring for 3 Phase	4
41-5	1/2SS-3C-04105	Locking Plate	2
41-6	1/2SS-3C-022	Lock Nut M6	4
41-7	1/2SS-3C-04107	Pan Head Screw M5x6	4
41-8	1/2SS-3C-04108	Lock Washer 5mm	4
41-9	1/2SS-3C-04109	Brake Housing	1
41-10	1/2SS-1C-04110	Brake Coil for 1 Phase	1
	1/2SS-3C-04110	Brake Coil for 3 Phase	1
41-11	1/2SS-3C-04111	Brake Spring	4
41-12	1/2SS-3C-04112	Brake Armature	1
42	1/2SS-3C-042	Phillips Pan Head Machine Screw M6x10	20
43	1/2SS-3C-043	Gear Side Cover (Include Balance Block)	1
44	1/2SS-3C-044	Capacity Label for 1/2T	1
45	1/2SS-3C-045	Socket Head Cap Screw M3x6	4
46	1/2SS-1C-046UG	Transformer for 1 Phase	1
	1/2SS-3C-046UG	Transformer for 3 Phase	1
47	1/2SS-3C-047	Phillips Pan Head Machine Screw M4x6	4
48	TS-2361041	Lock Washer 4mm	4
49	TS-1550021	Plain Washer 4mm	4
50	1/2SS-3C-050	Transformer Bracket	1
51	1/2SS-3C-051	Ball Bearing 180201kz1	1
52	1/2SS-3C-052	Steel Collar	1
53	TS-1550061	Plain Washer 8mm	1
54	1/2SS-3C-054	Socket Head Cap Screw M8x20	1
55	1/2SS-3C-055	Lock Plate for Clutch	1
56	1/2SS-3C-056	Round Pin A5x16	1
57	1/2SS-3C-057	Adjust Round Nut	1
58	1/2SS-3C-058	Adjust Shaft	1
59	1/2SS-3C-059	Round Pin A6x12	2
60	1/2SS-3C-060	Phillips Pan Head Machine Screw M4x16	1
61	TS-1550021	Plain Washer 4mm	1
62	1/2SS-3C-062	Hex Nut M4	1
63	1/2SS-3C-063	Phillips Pan Head Machine Screw M5x10	8
64	TS-2361051	Lock Washer 5mm	8
65	TS-1550031	Plain Washer 5mm	8
66	1/2SS-3C-066	Socket Head Cap Screw M6x25	1
67	1/2SS-3C-067	Chain Container Bracket	1
68	1/2SS-3C-068	Chain Container	1
69	1/2SS-3C-069UG	Limit Switch Set	1
70	1/2SS-3C-070	Snap Ring 25mm	1
71	1/2SS-3C-071	Block	1
72	1/2SS-3C-072	Cable Input Seal	2
73	1/2SS-3C-073	Limit Paddle Assembly	1
73-1	1/2SS-3C-07301	Side Plate	2
73-2	1/2SS-3C-07302	Chain Guide Block	1
73-3	1/2SS-3C-07303	Chain Guide Shaft	1
74	1/2SS-3C-074	Limit Spring	2
75	1/2SS-3C-075	Load Chain for 1/2T * \varnothing 6.3x19mm	1
76	1/2SS-3C-076	Retainer Ring	1
77	1/2SS-3C-077	Chain Stop	1
78	1/2SS-3C-078	Pin	1
79	1/2SS-3C-079	Bottom Hook Assembly for 1/2T	1
81	1/2SS-3C-081	Phillips Pan Head Machine Screw M8x16	1
82	1/2SS-3C-082	Lock Washer 8mm	1

* Specify length of Load Chain when ordering.

83	TS-1550061	Plain Washer	8mm	1
84	1/2SS-3C-084	Motor Cover Packing		2
85	1/2SS-1C-085	Electric Component Board for 1 Phase		1
	1/2SS-3C-085	Electric Component Board for 3 Phase		1
86	1/2SS-3C-086	Volts Conversion (for 3 Phase Single Speed)		1
	1/2DS-3C-086A	Volts Conversion (for 3 Phase Dual Speed)		1
87	1/2SS-3C-047	Phillips Pan Head Machine Screw (1 Phase only)	M4x6	1
88	TS-2361041	Lock Washer (1 Phase only)	4mm	1
89	TS-1550021	Plain Washer (1 Phase only)	4mm	1
90	1/2SS-3C-090UG	Female Connector for Push Button Cord	7P	1
91	1/2SS-3C-091UG	Quick Connector Board		1
92	1/2SS-3C-092UG	Female Connector for Power Cord	4P	1
93	1/2SS-1C-093	Contactor Holder for 1 Phase		1
	1/2SS-3C-093	Contactor Holder for 3 Phase		1
94	TS-2284082	Phillips Pan Head Machine Screw	M4x8	2
95	TS-2361041	Lock Washer	4mm	2
96	TS-1550021	Plain Washer	4mm	2
97	1/2SS-1C-097UG	Magnetic Contactor for 1 Phase		2
	1/2SS-3C-097UG	Magnetic Contactor for 3 Phase (Single Speed 2pcs, Dual Speed 4 pcs)		2
98	1/2SS-3C-098	Reverse Phase Inspector (3 Phase only)	230V/460V/3Ph/60Hz	1
99	1/2SS-1C-099-A	Solid State Switch (1 Phase only)		1
100	TS-2284352	Phillips Pan Head Machine Screw	M4x35	2
101	1/2SS-1C-101	Capacitor (1 Phase only)	Ø65, 600uF	1
102	1/2SS-3C-102UG	Motor Side Cover		1
103	1/2SS-3C-103UG	Phillips Pan Head Machine Screw	M3x12	8
104	1/2SS-3C-104	Pushbutton Control for 1 Phase and 3 Phase, Single Speed		1
	1/2DS-3C-104	Pushbutton Control for 3 Phase, Dual Speed		1
105	1/2SS-3C-105UG	Male Plug	7P	1
106	1/2SS-3C-106	Cable Holder		1
107	1/2SS-3C-022	Lock Nut	M6	1
108	1/2SS-3C-108	ID Label		1
109	1/2SS-3C-109	Phillips Pan Head Machine Screw	M3x6	4
110	1/2SS-3C-110	Lock Washer	3mm	12
111	1/2SS-3C-111	Plain Washer	3mm	12
112	1/2SS-1C-112	First Gear Shaft Assembly(for 1 Phase only)		1
113	1/2SS-1C-113	Capacitor Holder (for 1 Phase only)	Ø 65	1
114	1/2SS-1C-114	Rectifier (for 1 Phase only)	50A	1
123	1/2SS-3C-123UG	Male Plug	4P	1
128	1/2SS-3C-128	Lock Nut	M3	8
129	1/2SS-3C-129	Chain Guide		1
130	1/2SS-3C-130	Fuse	2A	1
131	1/2SS-3C-131	Fuse Cover		1

Hook Assemblies (1/2-Ton, 1-Ton and 2-Ton)



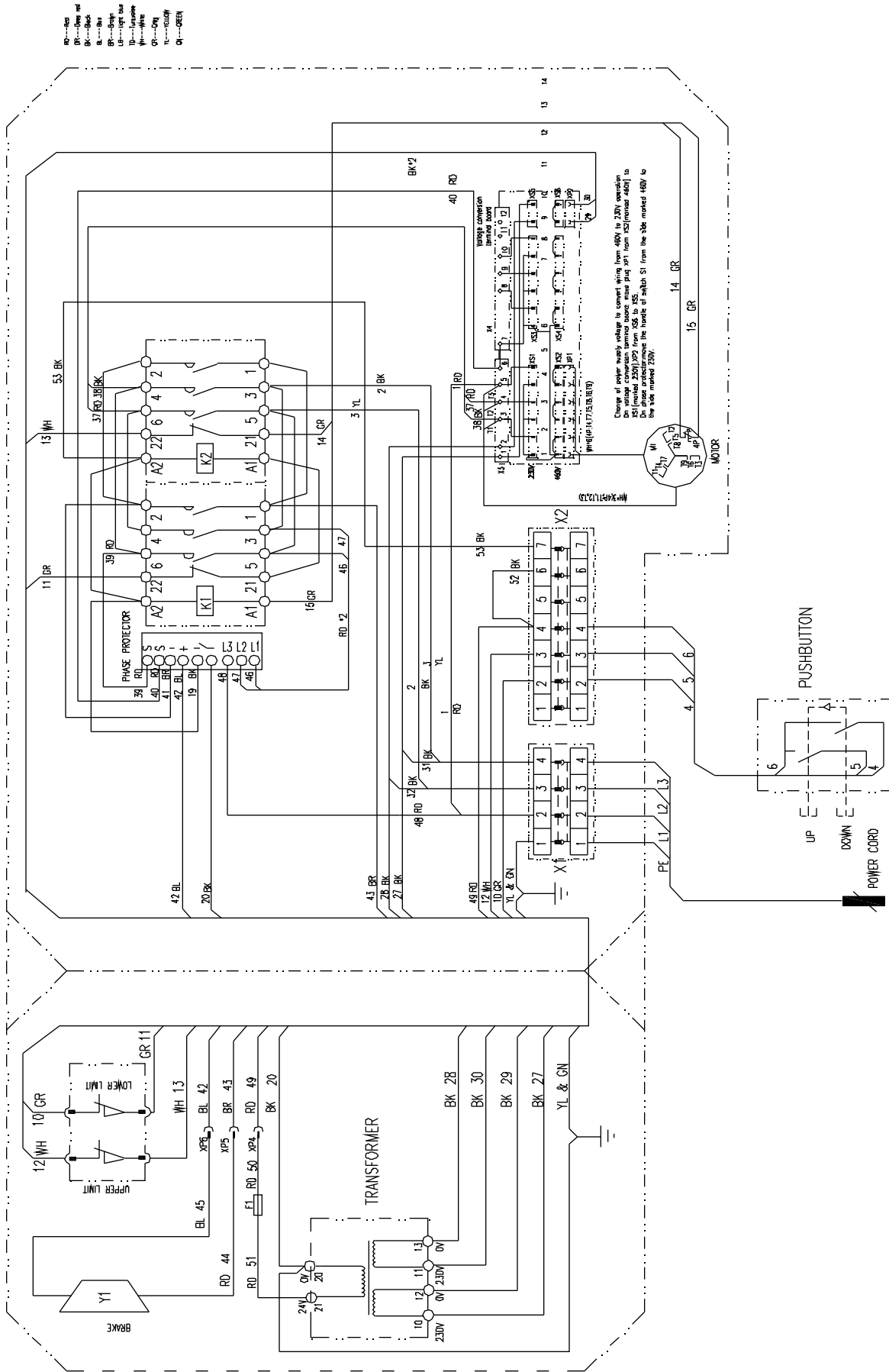
Parts List: Hook Assemblies (1/2-Ton only)

Index No.	Part No.	Description	Size	Qty
17	1/2SS-3C-017	Top Hook Assembly for 1/2 Ton		1
17-1	TS-2284302	Phillips Pan Head Machine Screw	M4x30	1
17-2	1/2SS-3C-01702	Hook Latch		1
17-3	1/2SS-3C-01703	Latch Spring		1
17-4	1/2SS-3C-01704	Top Hook		1
17-5	1/2SS-3C-01705	Lock Nut	M4	1
17-6	1/2SS-3C-01706	Connecting Bar		1
17-7	1/2SS-3C-01707	Plain Washer	16mm	1
17-8	1/2SS-3C-01708	Slotted Hex Nut	M16	1
17-9	1/2SS-3C-01709	Roll Pin	4x28mm	1
79	1/2SS-3C-079	Bottom Hook Assembly for 1/2 Ton		1
17-0	1/2SS-3C-01700	Hook Latch Assembly (index # 17-1,17-2,17-3,17-5)		1
17-1	TS-2284302	Phillips Pan Head Machine Screw	M4x30	1
17-2	1/2SS-3C-01702	Hook Latch		1
17-3	1/2SS-3C-01703	Latch Spring		1
17-5	1/2SS-3C-01705	Lock Nut	M4	1
17-8	1/2SS-3C-01708	Slotted Hex Nut	M16	1
17-9	1/2SS-3C-01709	Roll Pin	4x28mm	1
79-1	1/2SS-3C-012	Lock Washer	6mm	2
79-2	1/2SS-3C-066	Socket Head Cap Screw	M6x25	2
79-4	1/2SS-3C-07904	Bottom Hook		1
79-8	1/2SS-3C-07908	Thrust Ball Bearing	8103	1
79-10	1/2SS-3C-078	Bottom Hook Pin		1
79-12	1/2SS-3C-07912	Bottom Hook Housing		2
79-13	1/2SS-3C-022	Lock Nut	M6	2

Parts List: Hook Assemblies (1-Ton only)

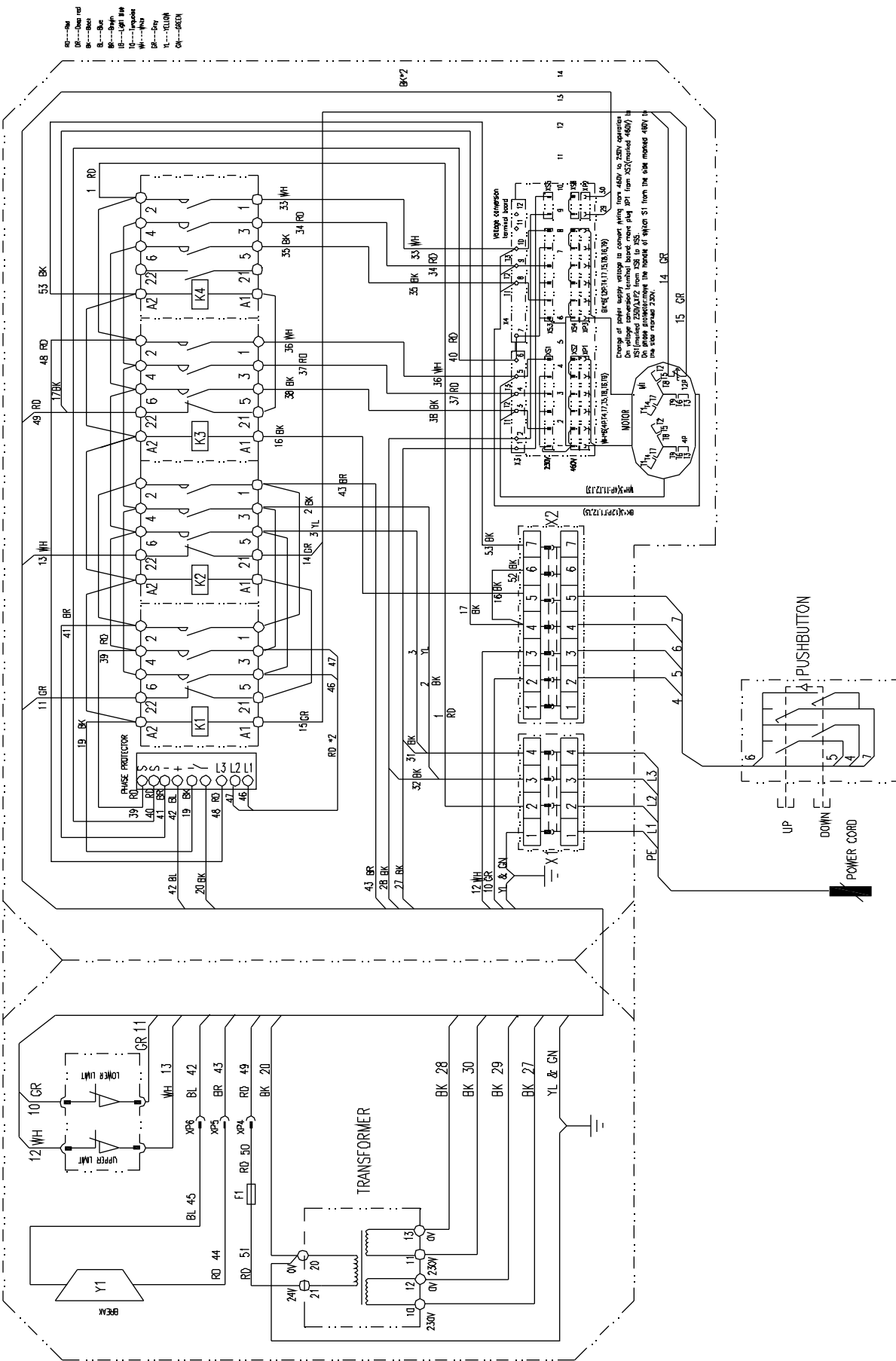
Index No.	Part No.	Description	Size	Qty
17	1SS-3C-017	Top Hook Assembly for 1 Ton		1
17-1	TS-2284302	Phillips Pan Head Machine Screw	M4x30	1
17-2	1SS-3C-01702	Hook Latch		1
17-3	1SS-3C-01703	Latch Spring		1
17-4	1SS-3C-01704	Top Hook		1
17-5	1/2SS-3C-01705	Lock Nut	M4	1
17-6	1SS-3C-01706	Connecting Bar		1
17-7	1/2SS-3C-01707	Plain Washer	16mm	1
17-8	1/2SS-3C-01708	Slotted Hex Nut	M16	1
17-9	1/2SS-3C-01709	Roll Pin	M4x28	1
79	1SS-3C-079	Bottom Hook Assembly for 1 Ton		1
17-0	1SS-3C-01700	Hook Latch Assembly (index #17-1,17-2,17-3,17-5)		1
17-1	TS-2284302	Phillips Pan Head Machine Screw	M4x30	1
17-2	1SS-3C-01702	Hook Latch		1
17-3	1SS-3C-01703	Latch Spring		1
17-5	1/2SS-3C-01705	Lock Nut	M4	1
17-8	1/2SS-3C-01708	Slotted Hex Nut	M16	1
17-9	1/2SS-3C-01709	Roll Pin	4x28mm	1
79-1	1/2SS-3C-082	Lock Washer	8mm	2
79-2	1SS-3C-07902	Socket Head Cap Screw	M8x35	2
79-4	1SS-3C-07904	Bottom Hook		1
79-8	1SS-3C-07908	Thrust Ball Bearing	8203	1
79-10	1SS-3C-078	Bottom Hook Pin		1
79-12	1SS-3C-07912	Bottom Hook Housing		2
79-13	1SS-3C-07913	Lock Nut	M8	2

Electrical Connections: 3-Phase, Single Speed Only



WIRING DIAGRAM FOR ELECTRIC HOISTS IN 3 PHASE WITH SINGLE SPEED

Electrical Connections: 3-Phase, Dual Speed Only



WIRING DIAGRAM FOR ELECTRIC HOISTS IN 3 PHASE WITH DUAL SPEED