

Orbital Sander - 0 601 297 039 - 1297D

www.powertools-aftersaleservice.com



BOSCH

Item	Part Number	Description	Illustration	Price	Quantity	Price Group
1	2 609 100 680	Housing	1	-,-	1	30
2	1 604 220 413	Field 120V	1	-,-	1	29
3	1 604 010 A31	Armature 120V	1	-,-	1	36
4	1 607 200 190	Switch	1	-,-	1	22
5	2 610 920 616	Power supply cord	1	-,-	1	25
7	2 601 035 001	Cable Clip	1	-,-	1	11
8	2 610 919 909	Nameplate	1	-,-	1	-
9	2 610 919 910	Manufacturer's nameplate	1	-,-	1	10
13	2 610 917 489	Ball Bearing	1	-,-	1	22
14	2 610 917 489	Ball Bearing	1	-,-	1	22
15	2 610 920 618	Fan	1	-,-	1	20
19	2 610 315 386	Screw ST3,9x19	1	-,-	6	11
20	2 610 919 914	Warning Label	1	-,-	1	10
22	2 610 920 623	Cable	1	-,-	2	11
23	2 610 920 620	Fan Cover	1	-,-	1	19
24	2 610 920 622	Cable	1	-,-	1	10
27	2 916 649 005	Spring retaining ring DIN471-8	1	-,-	1	10
28	2 609 110 748	Ball Bearing	1	-,-	1	20
29	2 610 921 132	Vibration Foot	1	-,-	2	18
30	2 610 915 161	Screw	1	-,-	4	15
31	2 610 991 395	Screw	1	-,-	1	10
33	2 610 920 628	Label	1	-,-	1	23
34	2 610 920 634	Counterweight	1	-,-	1	15
35	2 610 920 635	Felt	1	-,-	1	11
39	2 610 925 983	Clamp Handle	1	-,-	1	27
40	2 603 490 020	Torx Oval-Head Screw 4x8	1	-,-	3	10
42	2 609 101 232	Rubber Bar	1	-,-	1	11
45	2 610 350 103	Pin	1	-,-	2	11
48	2 610 920 651	Push Button	1	-,-	1	12
49	2 610 920 652	O-Ring	1	-,-	1	10
654	2 610 920 650	Punching Tool	1	-,-	1	21
810	2 609 120 199	Carbon-Brush Set	1	-,-	1	22
832	2 609 100 684	Swing-Plate	1	-,-	1	33

Item	Part Number	Description	Illustration	Price	Quantity	Price Group
855	2 609 199 178	Dust container	1	-,-	1	28

Product information Orbital Sander - 0 601 297 039 - 1297D

Product No	0 601 297 039
Description	251.720; Orbital Sander
DIN-Text	
ID_Text_Ext	0
Trading_Description	1297D
Voltage_1	120 V
ID_Country_Product	USA

Illustration - Type E

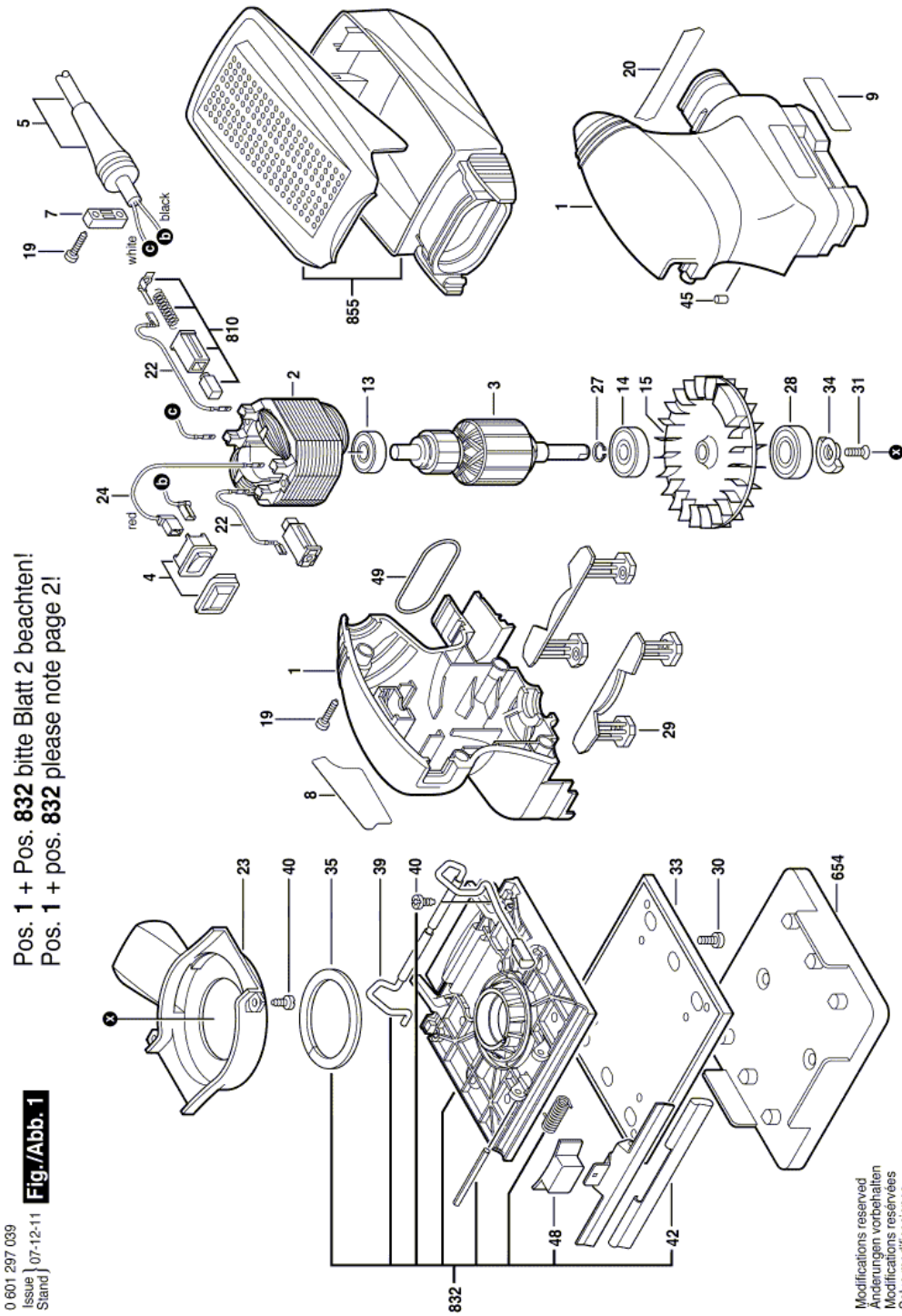
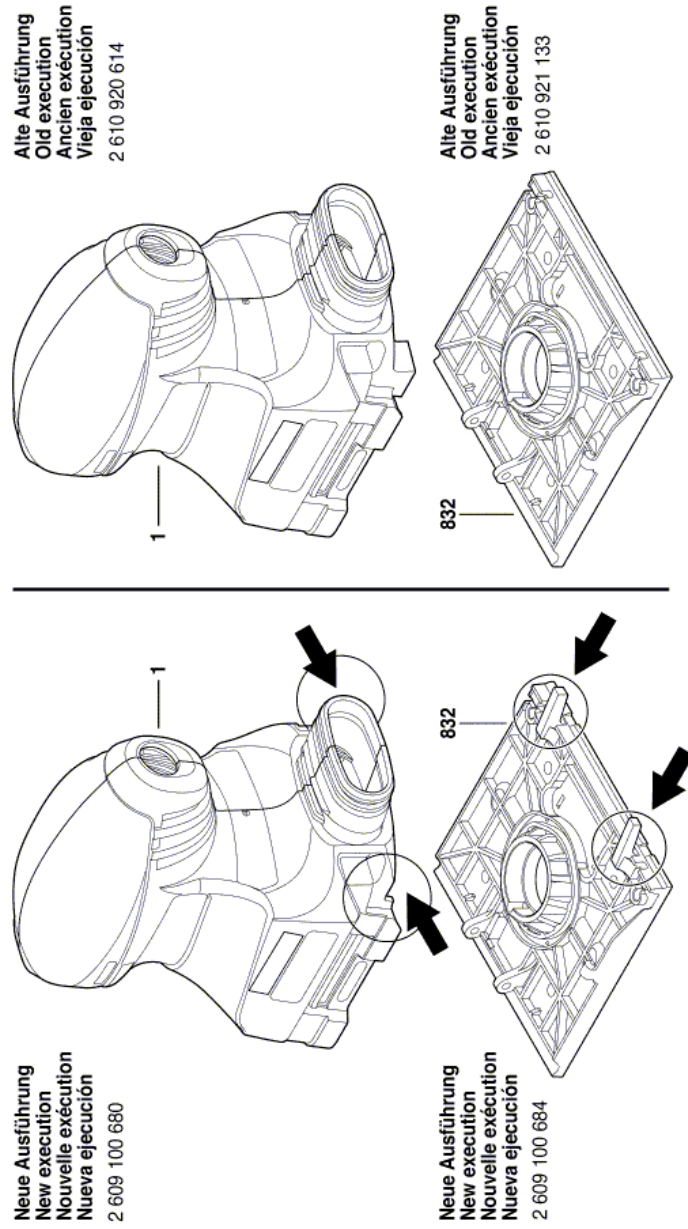


Illustration - Type E

0 601 297 039
Issue | 07-12-11
Stand | **Fig./Abb. 2**



Modifications reserved
Änderungen vorbehalten
Modifications réservées
Salvo modificaciones

Information subject to change without further notice.