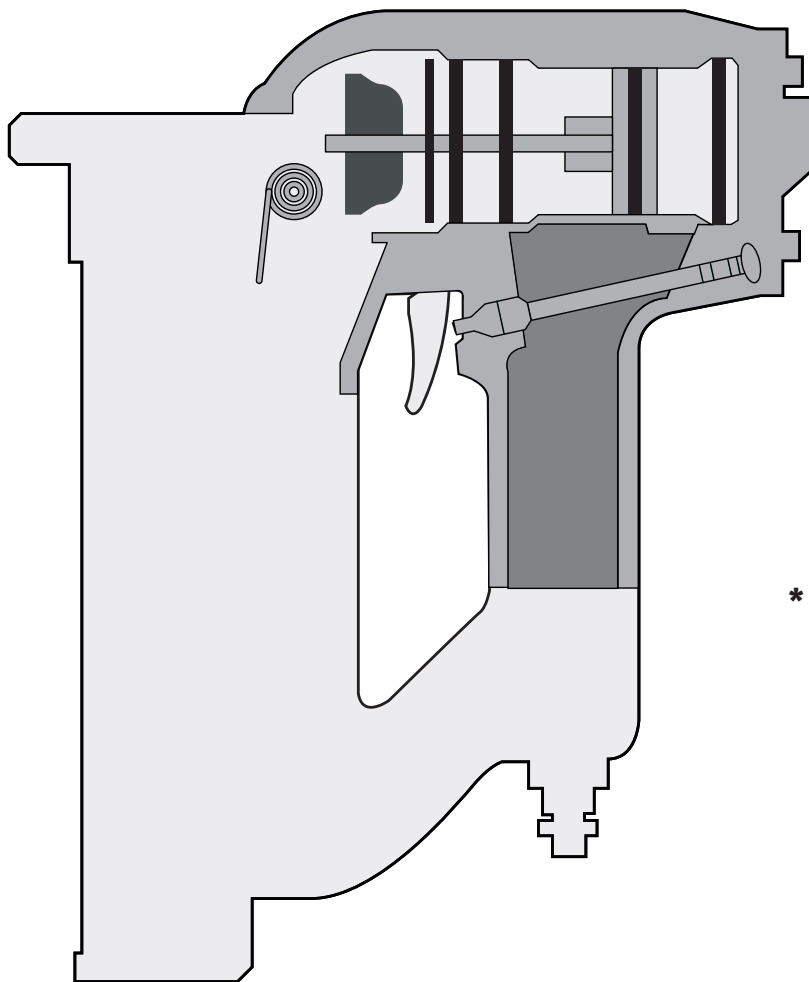


PW-2

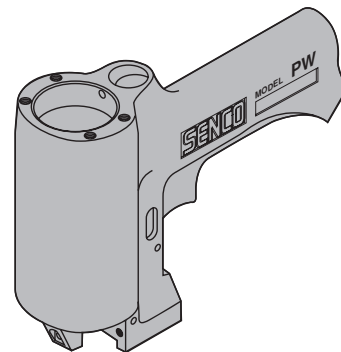


Parts Reference Guide



Repair Kit

YK0378



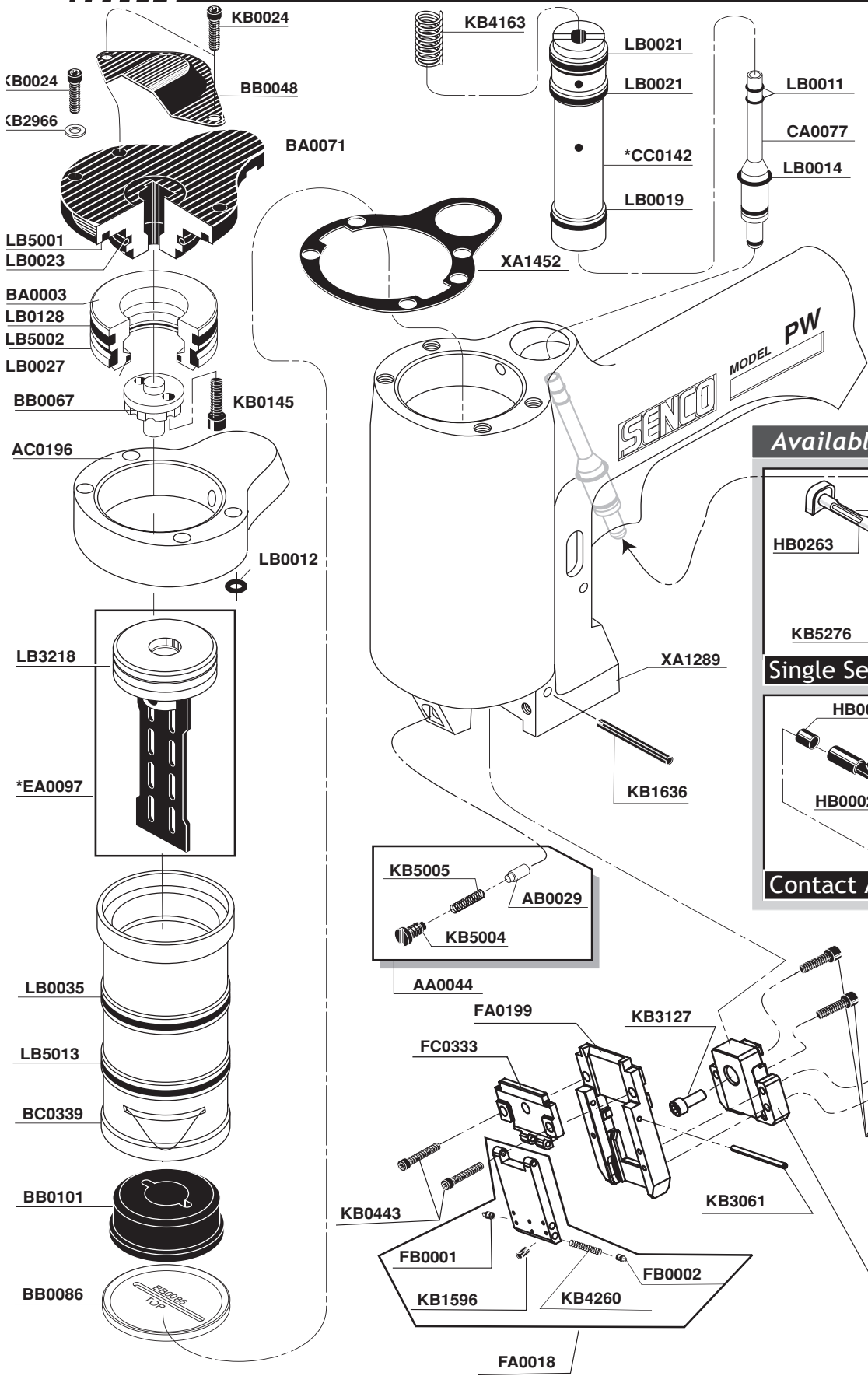
* Schematic Drawings inside

Senco Products, Inc.
8485 Broadwell Rd.
Cincinnati, OH 45244

Questions? Comments? call Senco's toll-free Action-line:
1-800-543-4596 or e-mail: toolprof@senco.com

Visit our Website: www.senco.com

PW-2



Model	
130063N	Contact Actuation
130064N	Single Sequential

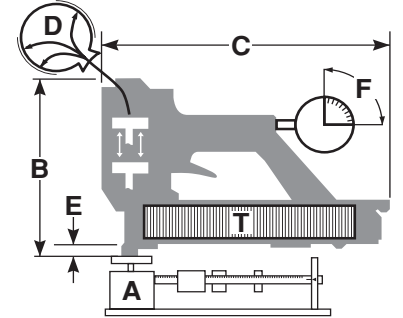
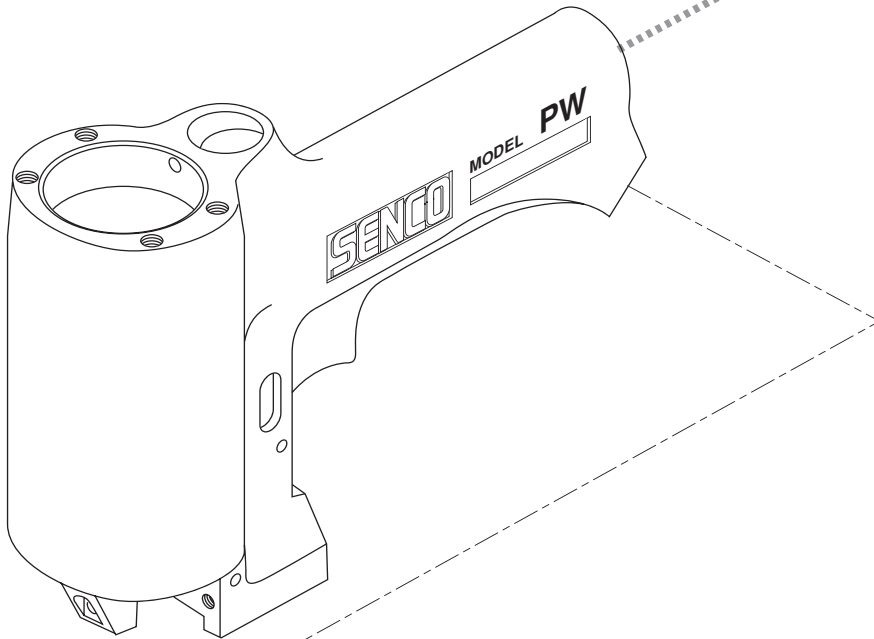
- * Does Not Include O-rings
- * No incluye sellos de gomas
- * Ohne Dichtringe
- * Joints exclus

Available Triggers

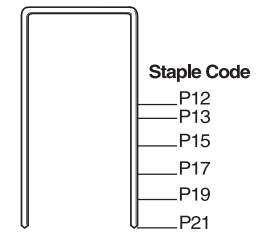
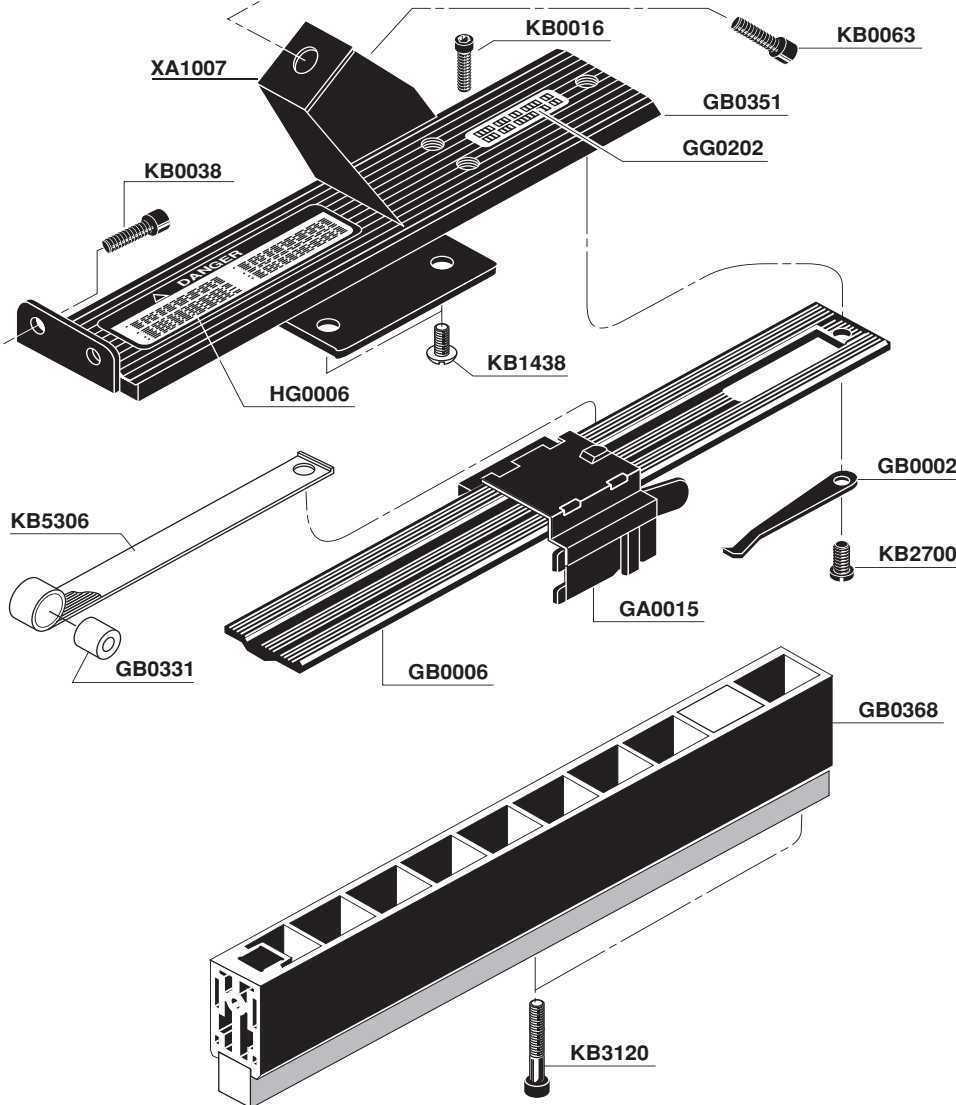
Single Sequential

Contact Actuation

PW-2



A	5.2 lbs.	2,4kg
B	9 1/2 in.	241mm
C	12 1/2 in.	317mm
D	3.1 scfm	87,8 liter (60 cycles per minute)
E	5/8 in.	16mm
F	80-110 P.S.I.G.	5,5-7,5 bar
T	140	140



Staple Code

- P12
- P13
- P15
- P17
- P19
- P21

H	1 in.	25mm
J	.062 in.	1,57mm
K	.055 in.	1,40mm
L	7/8 in.- 2 in.	22mm- 50mm

Available Plugs (Not Included with Tool)

	PC0479 ✓
1/4" Body	
Ind. Interchange 1/4" MPT	
	PC0486
3/8" Body	
Ind. Interchange 1/4" MPT	
	PC0468 ✓
1/4" Body	
Tru-Flate 1/4" MPT	
	PC0474
3/8" Body	
Tru-Flate 1/4" MPT	

✓ **Recommended Plugs**
Plugs shown smaller than actual size

PART NO.	DESCRIPTION	DESCRIPCIÓN	BESCHREIBUNG	DÉSIGNATION
AA0044	DETENT ASSEMBLY	ASAMBLE DE FRENO	BREMSE-ZUSAMMENBAU	FREIN D'ASSEMBLEE
AB0029	DETENT	FRENO	BREMSE	FREIN
AC0196	SPACER	SEPARADOR	DISTANZSTÜCK	ENTRETOISE
BA0003	VALVE ASSEMBLY	ASAMBLE DE VÁLVULA	VENTIL-ZUSAMMENBAU	VALVE D'ASSEMBLEE
BA0071	CAP ASSEMBLY	ASAMBLE DE TAPA	KAPPE-ZUSAMMENBAU	BOUCHON D'ASSEMBLEE
BB0048	DEFLECTOR	DESVIADOR	ABWEISER	DÉFLECTEUR
BB0067	VALVE	VÁLVULA	VENTIL	VALVE
BB0086	SEAL	SELLO	DICHTUNG	JOINT
BB0101	STOP	TOPE	PUFFER	ARRÊT
BC0339	CYLINDER	CILINDRO	ZYLINDER	CYLINDRE
CA0077	CORE ASSEMBLY	ASAMBLE DE VÁSTAGO	VENTILSTIFT-ZUSAMMENBAU	NOYAU D'ASSEMBLEE
CC0142	HOUSING	ALOJAMIENTO	GEHÄUSE	CORPS
EA0097	PISTON ASSEMBLY	ASAMBLE DE PISTON	KOLBEN-ZUSAMMENBAU	ENSEMBLE PISTON-COUTEAU
FA0018	PLATE	PLACA	PLATTE	PLAQUE
FA0199	PLATE	PLACA	PLATTE	PLAQUE
FB0001	PIN	PASADOR	STIFT	GOUPILLE
FB0002	PIN	PASADOR	STIFT	GOUPILLE
FC0333	PLATE	PLACA	PLATTE	PLAQUE
FC0376	PLATE	PLACA	PLATTE	PLAQUE
GA0015	FEEDER SHOE	ALIMENTADOR	NAGELSCHIEBER	POUSSOIR
GB0002	RETAINER	JUNTA TÓRICA	SICHERUNGSRING	RETENUE
GB0006	GUIDE	GUÍA	FÜHRUNG	GUIDE
GB0331	ROLLER	RODILLO	ROLLE	GALET
GB0351	SHROUD	CUBIERTA	ABDECKUNG	RETENUE
GB0368	RAIL ASSEMBLY	ASAMBLE DE CARRIL	SCHIENE-ZUSAMMENBAU	RAIL D'ASSEMBLEE
GG0202	LABEL	ETIQUETA	AUFKLEBER	ÉTIQUETTE
HB0002	BUSHING	CASQUILLO	HÜLSE	DOUILLE
HB0003	TRIGGER	GATILLO	AUSLÖSER	GÂCHETTE
HB0004	TRIGGER	GATILLO	AUSLÖSER	GÂCHETTE
HB0043	PIN	PASADOR	STIFT	GOUPILLE
HB0260	TRIGGER	GATILLO	AUSLÖSER	GÂCHETTE
HB0263	BUSHING	CASQUILLO	HÜLSE	DOUILLE
HG0006	LABEL (SAFETY PRECAUTIONS)	ETIQUETA (NORMAS DE SEGURIDAD)	AUFKLEBER (SICHERHEITSHINWEISE)	ÉTIQUETTE (PRÉCAUTIONS DE SÉCURITÉ)
KB0016	SCREW	TORNILLO	SCHRAUBE	VIS
KB0024	SCREW	TORNILLO	SCHRAUBE	VIS
KB0038	SCREW	TORNILLO	SCHRAUBE	VIS
KB0063	SCREW	TORNILLO	SCHRAUBE	VIS
KB0145	SCREW	TORNILLO	SCHRAUBE	VIS
KB0280	SCREW	TORNILLO	SCHRAUBE	VIS
KB0443	SCREW	TORNILLO	SCHRAUBE	VIS
KB1438	SCREW	TORNILLO	SCHRAUBE	VIS
KB1550	PIN	PASADOR	STIFT	GOUPILLE
KB1636	PIN	PASADOR	STIFT	GOUPILLE
KB2700	SCREW	TORNILLO	SCHRAUBE	VIS
KB2714	NUT	TUERCA	MUTTER	ÉCROU
KB2966	WASHER	ARANDELA	SCHEIBE	RONDELLE
KB3061	PIN	PASADOR	STIFT	GOUPILLE
KB3120	SCREW	TORNILLO	SCHRAUBE	VIS
KB3127	SCREW	TORNILLO	SCHRAUBE	VIS
KB4163	SPRING	RESORTE	FEDER	RESSORT
KB4542	SPRING	RESORTE	FEDER	RESSORT
KB5276	SPRING	RESORTE	FEDER	RESSORT
KB5306	SPRING	RESORTE	FEDER	RESSORT
LB0011	SEAL	SELLO	DICHTUNG	JOINT
LB0014	SEAL	SELLO	DICHTUNG	JOINT
LB0019	SEAL	SELLO	DICHTUNG	JOINT
LB0021	SEAL	SELLO	DICHTUNG	JOINT
LB0023	SEAL	SELLO	DICHTUNG	JOINT
LB0027	SEAL	SELLO	DICHTUNG	JOINT
LB0035	SEAL	SELLO	DICHTUNG	JOINT
LB0128	SEAL	SELLO	DICHTUNG	JOINT
LB3218	SEAL	SELLO	DICHTUNG	JOINT
LB5001	SEAL	SELLO	DICHTUNG	JOINT
LB5002	SEAL	SELLO	DICHTUNG	JOINT
LB5013	SEAL	SELLO	DICHTUNG	JOINT
XA1007	BRACKET	SOPORTE	HALTERUNG	CAVALIER
XA1012	SAFETY ELEMENT	SEGURO	SICHERHEITSVORRICHTUNG	PALPEUR DE SÉCURITÉ
XA1289	MAIN BODY	CARCASA	GEHÄUSE	CORPS
XA1452	SEAL	SELLO	DICHTUNG	JOINT