

Angle Grinder - 0 601 340 039 - 1340

www.powertools-aftersaleservice.com



BOSCH

Item	Part Number	Description	Illustration	Price	Quantity	Price Group
1	1 605 108 103	Motor Housing	1	-,-	1	-
2	1 604 220 247	Field 115V	1	-,-	1	49
2/8	1 901 350 003	Terminal lug 1,5-4x4	1	-,-	2	10
3	1 604 012 048	Armature 115V	1	-,-	1	52
4	1 609 200 060	On-Off Switch	1	-,-	1	34
5	1 604 460 133	Power supply cord USA/CDN 2,15m 2 x 2,08mm SJ 14/2	1	-,-	1	27
5/20	1 900 452 003	End Splice DIN 46 228-A2,5-7	1	-,-	2	11
6	3 600 703 011	Grommet Ø9,2-Ø12x120 MM	1	-,-	1	13
7	1 601 302 013	Fastening Clamp	1	-,-	1	11
8	1 601 106 032	Nameplate 26x52 MM	1	-,-	1	13
9	1 601 110 003	Manufacturer's nameplate	1	-,-	1	11
16	1 604 336 008	Brush Holder	1	-,-	2	18
20	1 605 808 054	Bearing cover	1	-,-	1	14
21	1 600 102 012	Cover Disc	1	-,-	1	11
22	1 603 523 088	Grinding Spindle 5/8"	1	-,-	1	36
23	1 600 108 055	Sealing disk	1	-,-	2	11
24	1 607 000 229	Bearing Flange	1	-,-	1	27
27	1 600 910 010	Needle bearing Ø22x11,3 MM	1	-,-	1	36
28	1 600 206 022	Rubber Ring	1	-,-	1	12
29	1 600 502 013	Guide Pulley	1	-,-	1	11
30	1 600 119 004	Spring retaining ring	1	-,-	1	14
31	1 604 652 015	Spiral Spring	1	-,-	2	11
32	1 600 290 008	Rotary shaft lip seal WHITE	1	-,-	1	13
34	1 600 190 004	Shim 0,1 MM THICK	1	-,-	1	11
34	1 600 190 005	Shim 0,2 MM THICK	1	-,-	1	11
35	1 601 030 022	Tab Washer	1	-,-	2	11
36	1 600 206 015	Rubber Ring	1	-,-	1	11
39	1 601 110 358	Reference Plate CAUTION	1	-,-	1	11
40	1 600 150 009	Spring Washer Ø32,3xØ43,5x0,6 MM	1	-,-	1	14
41	1 605 500 089	Sealing cap BLUE	1	-,-	2	11
42	1 609 251 029	Handle	1	-,-	1	-
43	1 601 110 058	Reference Plate DOUBLE INSULATION	1	-,-	1	11
45	1 601 331 032	Holding Bracket	1	-,-	2	11

Item	Part Number	Description	Illustration	Price	Quantity	Price Group
50	1 900 905 227	Deep-Groove Ball Bearing 6203-2 Z DIN 625	1	-,-	1	27
51	2 916 620 011	Retaining ring Ø22 MM	1	-,-	1	11
52	1 900 900 413	Deep-Groove Ball Bearing 6203-TH/C3 DIN 625	1	-,-	1	33
53	1 600 900 029	Deep-Groove Ball Bearing	1	-,-	1	21
54	2 910 021 118	Socket head cap screw DIN 84-AM4x8-8.8	1	-,-	4	10
55	2 910 211 028	Tapping Screw DIN 7971 BZ4,2x22	1	-,-	2	11
57	2 910 011 157	Socket head cap screw DIN 84-AM5x15-5.8	1	-,-	4	10
58	2 915 011 005	Hex Nut DIN 934 -M4-m-8	1	-,-	2	10
59	3 603 415 560	Thread-forming tap. Screw B 4,8x45 MM	1	-,-	4	11
60	1 603 412 007	Tapping Screw B4,8x29 MM	1	-,-	4	11
61	2 910 011 162	Socket head cap screw DIN 84-AM5x20-5.8	1	-,-	3	10
63	1 603 429 001	Tapping Screw B4,8x85 MM	1	-,-	2	11
66	2 910 211 226	Tapping Screw DIN 7971-B4,2x16	1	-,-	2	10
69	2 910 211 011	Tapping Screw DIN 7971-BZ3,5x13	1	-,-	2	10
70	1 611 331 007	Tab Washer	1	-,-	2	11
73	1 600 200 022	Retaining snap ring	1	-,-	1	-
78	1 900 452 003	End Splice DIN 46 228-A2,5-7	1	-,-	6	11
86	1 601 110 073	Sticker DOUBLE INSULATION	1	-,-	1	14
90	2 911 061 388	Hex Screw M 14x25 DIN 933-8.8	1	-,-	1	19
91	1 608 040 104	Mounting Piece	1	-,-	1	-
92	1 604 413 000	Connecting Cable	1	-,-	2	11
93	1 901 091 110	Strip Terminal	1	-,-	1	11
94	2 910 011 203	Socket head cap screw DIN 84-AM6x25-5.8	1	-,-	1	-
98	2 915 051 006	Hex Nut AM 6 DIN 439-04	1	-,-	1	11
100	1 600 390 010	Grooved Ring	1	-,-	1	-
106	1 610 113 005	Cover Disc Ø12xØ26x2,0 MM	N/A	-,-	2	11
650	1 600 793 004	Strap-Shaped Handle	2	-,-	1	36
651/11	1 907 950 007	Offset Screwdriver DIN 911;SW6	2	-,-	1	15
651/12	1 605 703 078	Clamping-Flange	2	-,-	1	39
651/13	1 605 703 077	Conical Spring Washer	2	-,-	1	40
651/14	1 603 340 011	Round Nut 5/8"-11-UNC-3B, 1"(Ø 25,4 MM), SW 28,6, SW 9,6	2	-,-	1	-
651/15	3 607 950 013	Offset Screwdriver 3/8", SW9	2	-,-	1	22
651/16	2 603 450 007	Hex Screw M14x16x1,5 MM	2	-,-	2	17
652	1 605 510 149	Protective Cover Ø 300 MM	2	-,-	1	-
652/40	2 910 141 240	Hex Socket Head Cap Screw DIN 912-M8x18-8.8	2	-,-	1	11
653	1 608 190 005	Guide Block	2	-,-	1	-
653/30	2 910 281 246	Round-Head Bolt M 8x30 DIN 603	2	-,-	2	11
650/40	2 915 191 007	Wing Nut DIN 315-M8-GT-C	N/A	-,-	2	15
653/50	2 600 100 041	Plain Washer DIN 315-M8-GT-C	2	-,-	4	11
653/60	1 604 643 003	Compression Spring	2	-,-	2	17
703	1 607 000 140	Parts Set	2	-,-	1	-
703/11	2 603 450 007	Hex Screw M14x16x1,5 MM	2	-,-	2	17
800	1 607 014 103	Carbon-Brush Set	1	-,-	1	26
802	1 606 333 213	Crown Gear Z=50	1	-,-	1	46
803	1 606 333 212	Bevel Gear Z=9	1	-,-	1	-
807	1 607 000 904	Parts Set	1	-,-	1	-
813	1 607 000 161	Parts Set	1	-,-	1	17

Illustration - Type E

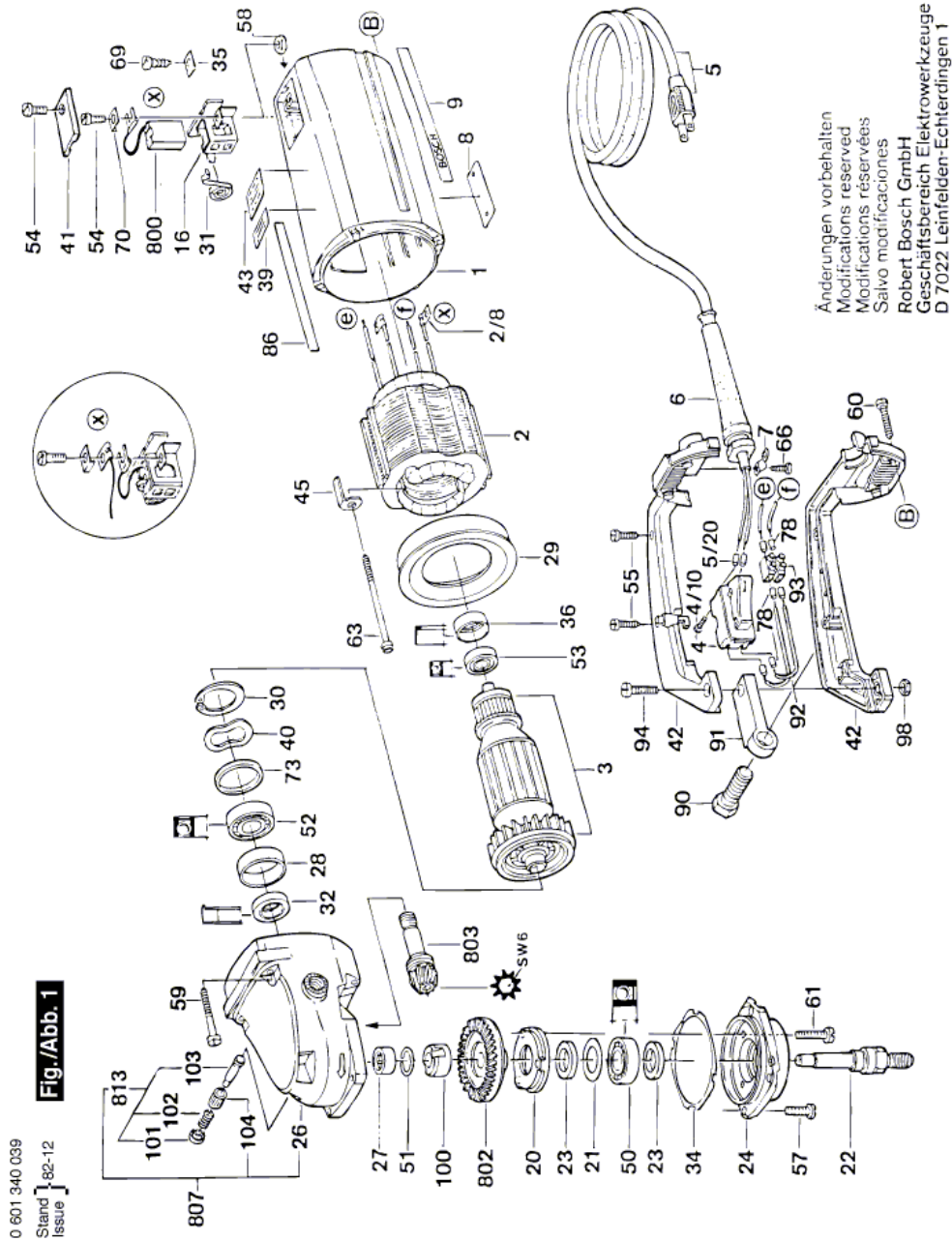
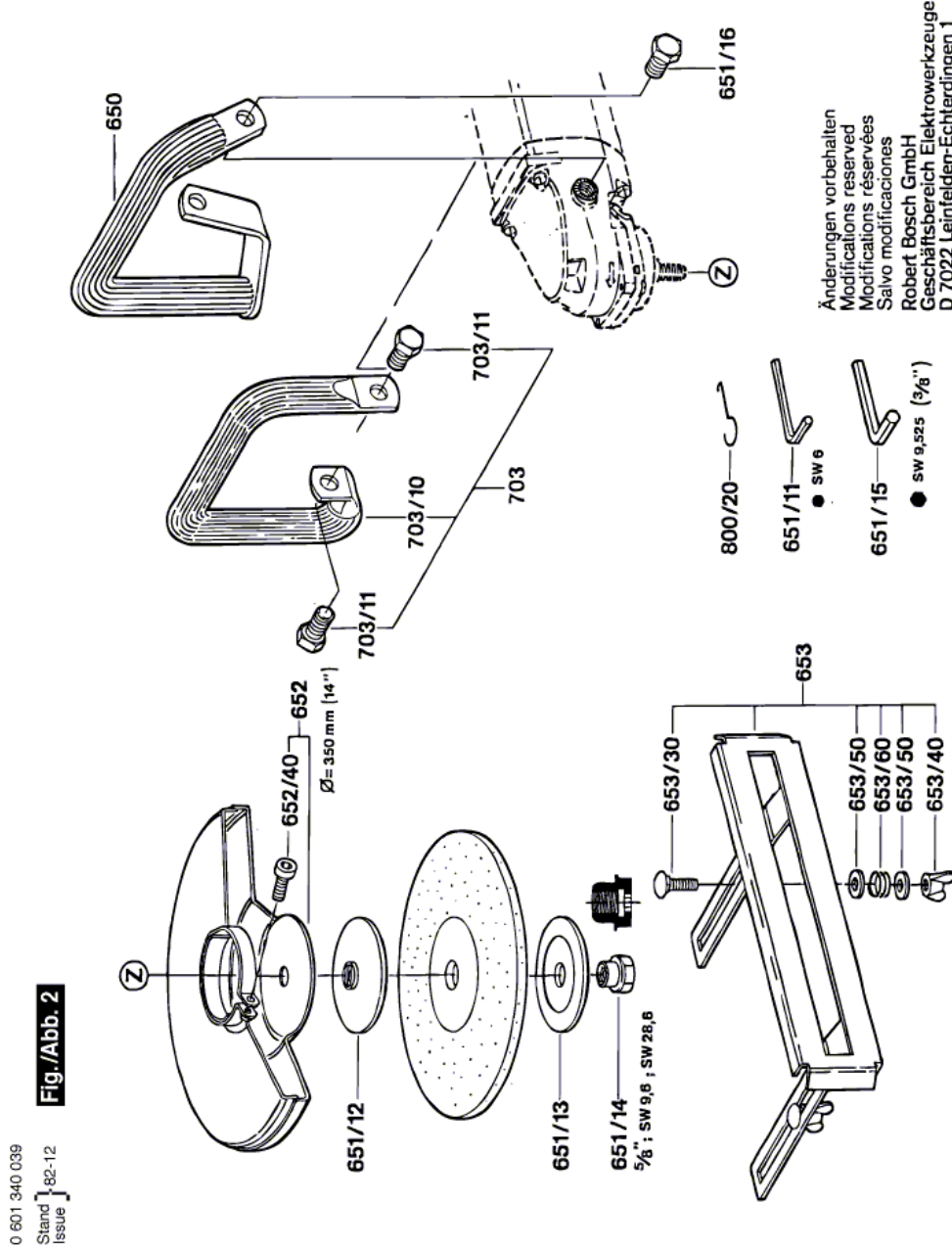


Illustration - Type E



Information subject to change without further notice.