

Cordless Impact Drill - 0 601 913 370 - 13618

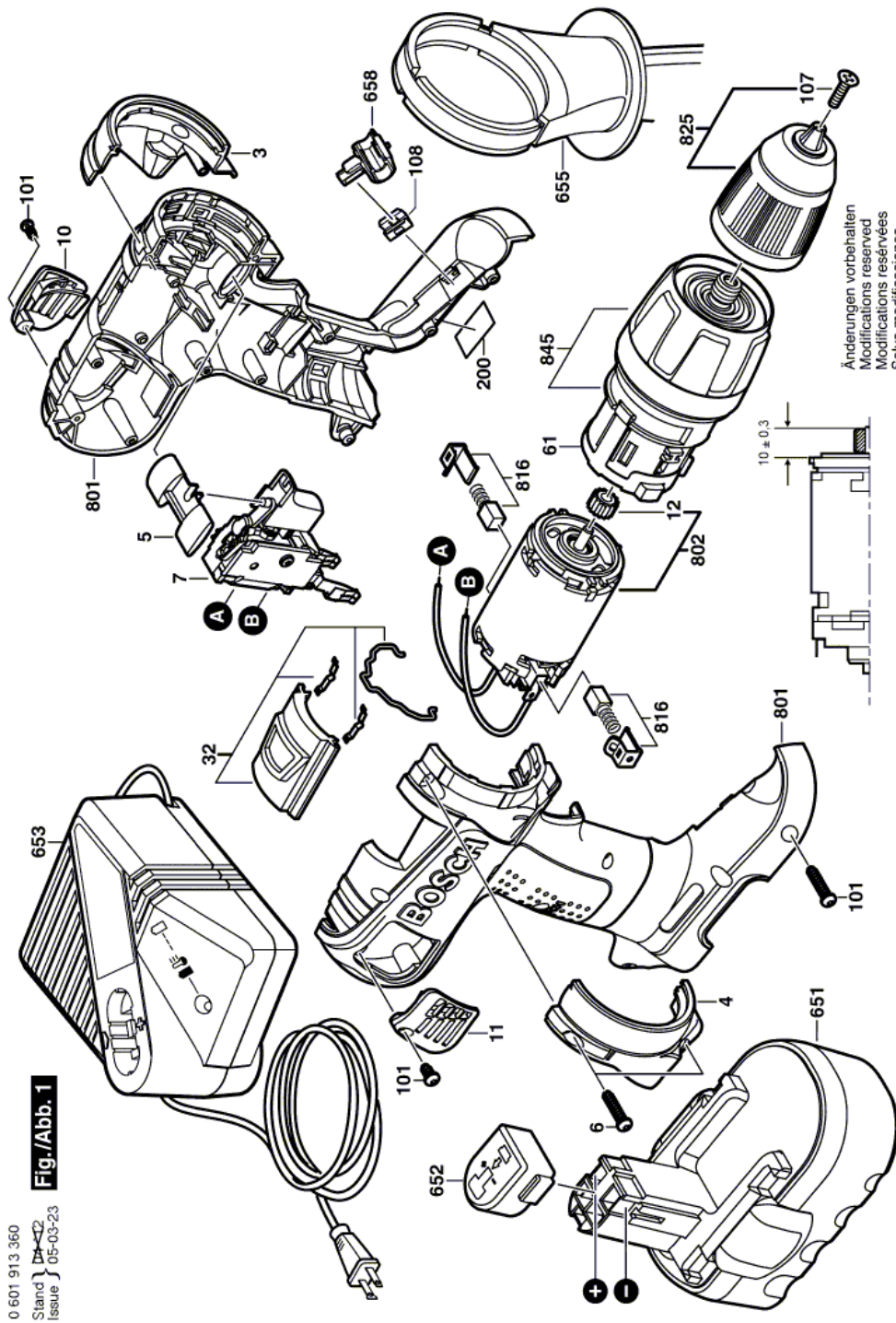
www.powertools-aftersaleservice.com



BOSCH

Item	Part Number	Description	Illustration	Price	Quantity	Price Group
3	2 605 500 168	Protective Cap	1	-,-	1	24
4	2 605 500 169	Protective Cap	1	-,-	1	24
5	2 601 099 112	Adjusting Slide RED	1	-,-	1	12
6	2 603 410 052	Thread-forming tap. Screw M3x20	1	-,-	2	10
7	2 607 200 457	On-Off Switch	1	-,-	1	40
10	2 600 508 051	Cover BLACK	1	-,-	1	16
11	2 600 508 052	Cover BLACK	1	-,-	1	16
12	2 606 316 222	Pinion	1	-,-	1	19
32	2 601 099 127	Adjusting Slide	1	-,-	1	20
61	2 608 040 190	Support	1	-,-	1	21
101	2 603 490 018	Torx Oval-Head Screw 3x18	1	-,-	10	10
107	2 603 421 229	Countersunk-Head Screw M6x23	1	-,-	1	11
108	2 604 690 027	Spring Element	1	-,-	1	11
200	2 601 116 995	Reference Plate	1	-,-	1	15
651	2 607 335 717	Accumulator Battery 18V,2,4Ah, HD	1	-,-	1	52
652	2 609 100 101	Protective Cap	1	-,-	1	16
653	2 607 225 033	Fast Charger USA 120/7,2-24V, 30 MIN.	1	-,-	1	46
655	2 602 025 135	Auxiliary Handle	1	-,-	1	27
658	2 608 040 208	Auxiliary Support	1	-,-	1	11
801	2 605 105 920	Housing Section BLUE	1	-,-	1	39
802	2 607 022 858	DC motor 18V	1	-,-	1	46
816	2 607 034 904	Carbon-Brush Set	1	-,-	1	23
825	2 608 572 900	Keyless Chuck	1	-,-	1	41
845	2 606 200 937	Planetary Gear Train	1	-,-	1	48

Illustration - Type E



0 601 913 360
Stand } 12
Issue } 05-03-23
Fig./Abb. 1

Information subject to change without further notice.