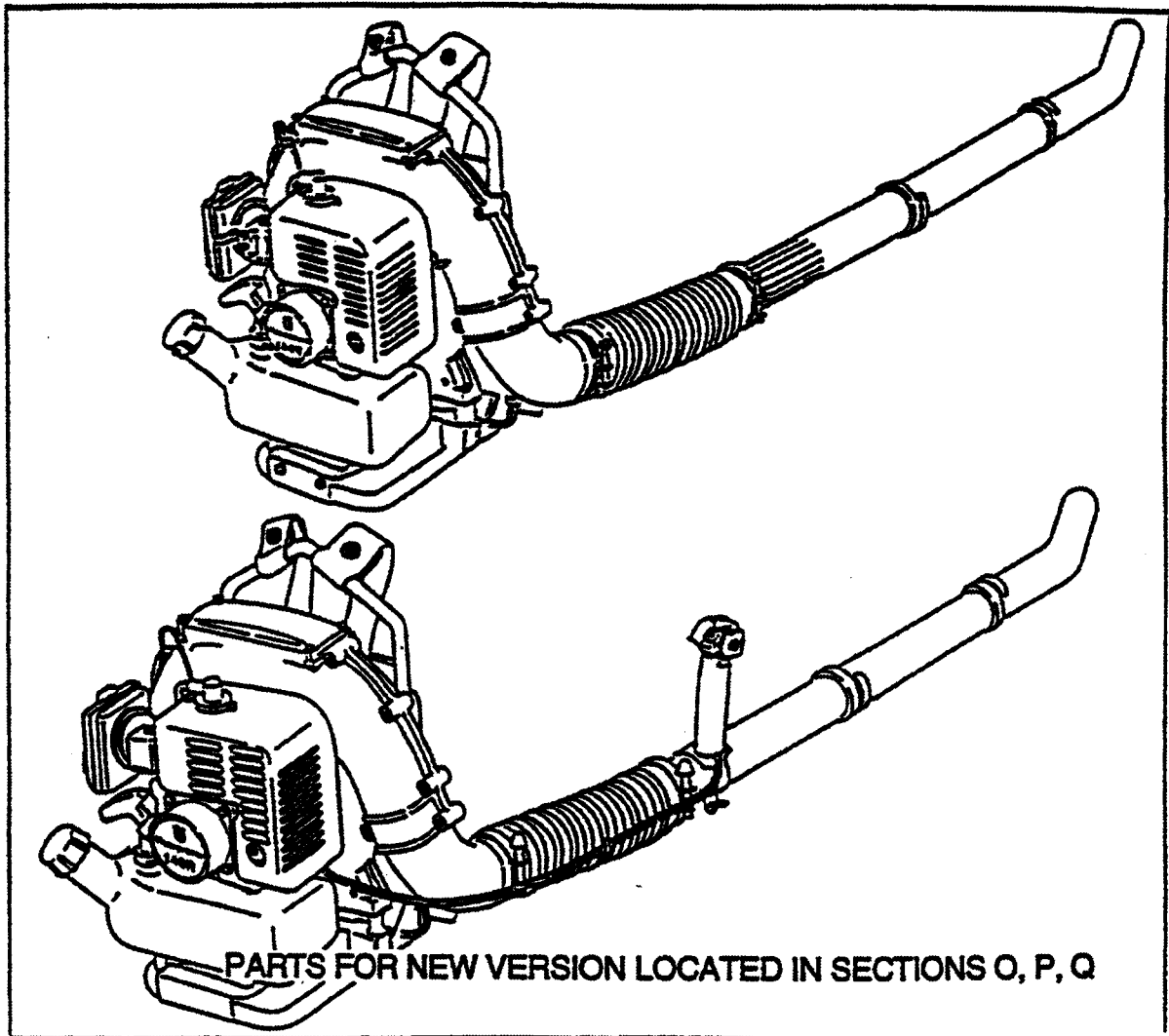


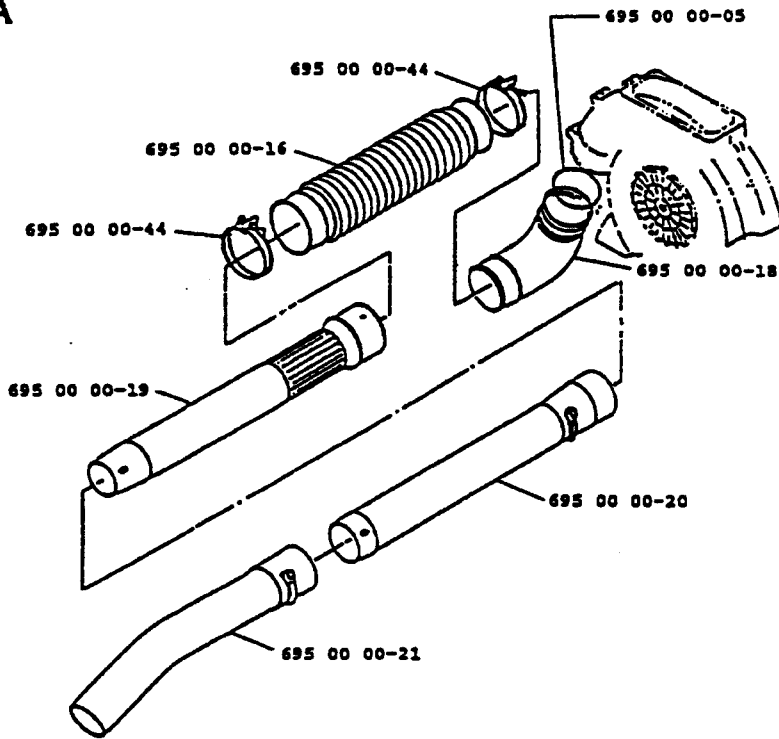
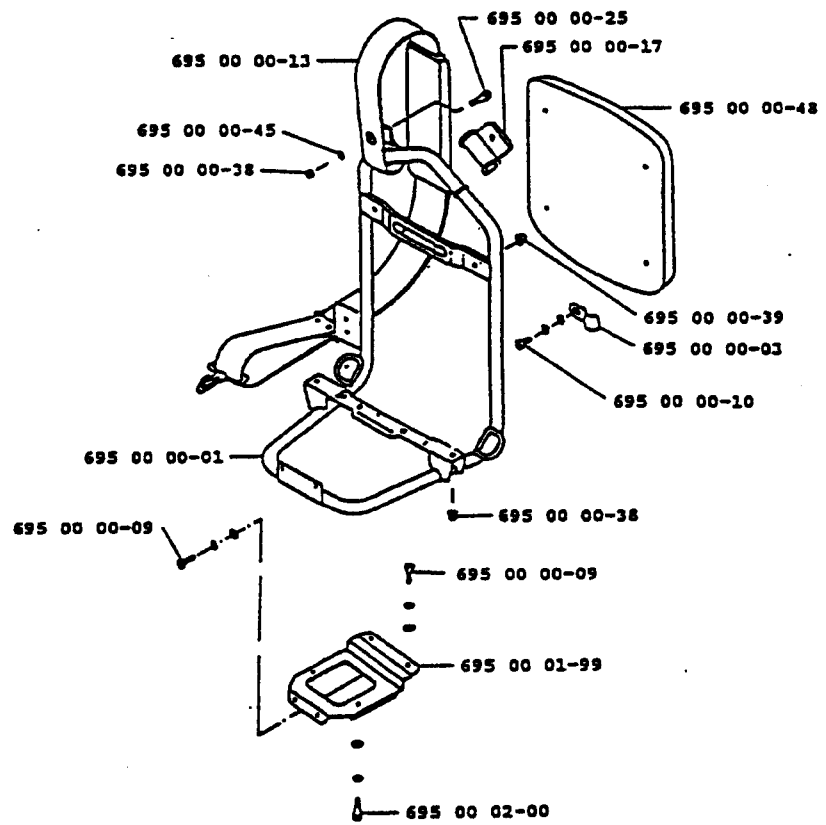
140B



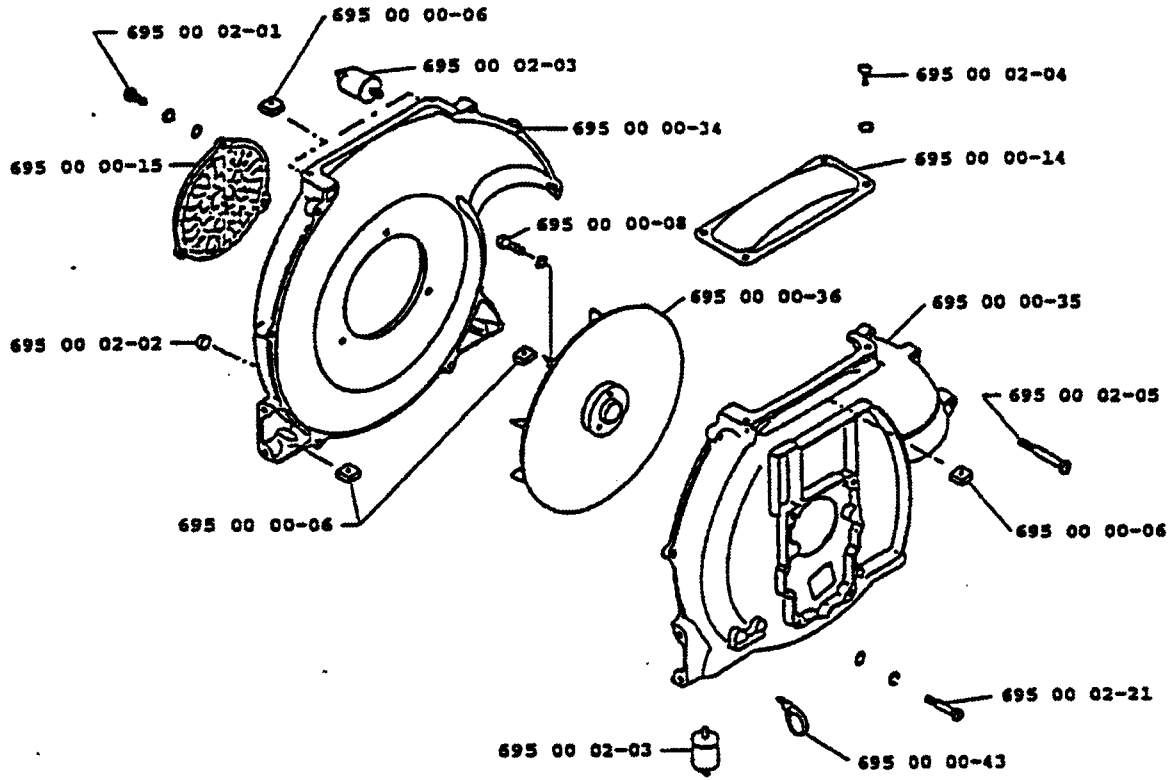
1.1996
Spare parts

PART NUMBER	SQ.	DESCRIPTION	PART NUMBER	SQ.	DESCRIPTION	PART NUMBER	SQ.	DESCRIPTION
500 52 01-15	J	SCREW	695 00 02-07	D	STAY	695 00 02-57	H	KEY
501 46 78-01	J	SPRING	695 00 02-08	D	SPACER	695 00 02-58	H	TUBE .6X7.4X300 MM
501 46 84-01	J	SPRING	695 00 02-09	D	O RING	695 00 02-59	H	SPARK PLUG
501 46 85-01	J	BALL	695 00 02-10	D	BOLT 8X2.5 MM	695 00 02-60	H	GROMMET
501 46 87-01	J	SCREW	695 00 02-11	D	NUT 8 MM	695 00 02-61	H	BOLT
501 46 88-01	J	SCREW	695 00 02-12	D	LOCK WASHER 8 MM	695 00 02-62	H	SCREW
501 66 61-01	J	FILTER	695 00 02-13	D	WASHER 8 MM	695 00 02-63	H	HEX NUT
501 66 62-01	J	PUMP COVER	695 00 02-14	D	SCREW 5X12 MM	695 00 02-64	E	BRACKET
501 66 63-01	J	DIAPHRAGM COVER	695 00 02-15	D	THROTTLE LEVER	695 00 02-65	E	CABLE ADJUSTER
501 66 67-01	J	PLATE	695 00 02-16	D	NUT 5 MM	695 00 02-66	E	THROTTLE CABLE
501 66 68-01	J	INLET NEEDLE	695 00 02-17	D	LOCK WASHER 5 MM	695 00 02-67	E	HEX NUT
501 66 69-01	J	FUEL PUMP GASKET	695 00 02-18	D	WASHER 5 MM	695 00 02-68	I	GASKET
501 66 72-01	J	PUMP DIAPHRAGM	695 00 02-19	D	STOP SWITCH	695 00 02-69	I	GASKET
501 66 73-01	J	DIAPHRAGM	695 00 02-20	D	TUBE	695 00 02-71	J	GASKET
501 66 77-01	J	SPRING	695 00 02-21	C	TAPPING SCREW	695 00 02-72	J	GASKET
501 66 83-01	J	METERING LEVER	695 00 02-22	G	CYLINDER	695 00 02-74	J	CHOKE SHAFT ASSY.
695 00 00-01	B	KNAPSACK FRAME	695 00 02-23	G	CRANKCASE GASKET	695 00 02-78	I	CARBURETOR ASSY.
695 00 00-03	B	PAD FITTING	695 00 02-24	G	GASKET	695 00 02-79	J	CABLE FITTING
695 00 00-05	A	O RING	695 00 02-25	G	CRANKCASE HALF	695 00 02-80	J	LOW SPEED NEEDLE
695 00 00-06	C	NUT	695 00 02-26	G	CRANKCASE HALF	695 00 02-81	J	HIGH SPEED NEEDLE
695 00 00-08	C	BOLT	695 00 02-27	G	BOLT	695 00 02-82	J	THROTTLE VALVE
695 00 00-09	B	BOLT	695 00 02-28	G	BALL BEARING	695 00 02-84	J	THROTTLE SHAFT
695 00 00-10	B	BOLT HEX	695 00 02-29	G	SEAL	695 00 02-86	I	INSULATOR
695 00 00-13	B	SHOULDER STRAP	695 00 02-30	G	SCREW	695 00 02-87	J	CHOKE VALVE
695 00 00-14	C	COVER	695 00 02-31	G	SCREW	695 00 02-88	I	ADAPTER
695 00 00-15	C	FAN COVER	695 00 02-32	G	DOWEL PIN	695 00 02-89	I	ADAPTER
695 00 00-16	A	FLEX PIPE	695 00 02-33	G	GASKET	695 00 02-93	J	SCREW
695 00 00-17	B	BAND SUPPORT	695 00 02-34	F	PISTON	695 00 02-96	J	SCREW
695 00 00-18	A	ELBOW PIPE	695 00 02-35	F	PISTON PIN	695 00 02-97	I	NUT
695 00 00-19	A	BASE PIPE	695 00 02-36	F	PISTON RING SET	695 00 02-98	J	SNAP RING
695 00 00-20	A	MIDDLE PIPE	695 00 02-37	F	CRANKSHAFT ASSY.	695 00 02-99	J	PIN
695 00 00-21	A	BEND PIPE	695 00 02-38	F	SHIM T=0.10 MM	695 00 03-01	J	SPRING
695 00 00-25	B	TRUSS SCREW	695 00 02-39	F	SHIM T=0.20 MM	695 00 03-04	J	SPRING
695 00 00-34	C	FAN CASE	695 00 02-40	F	SHIM T=0.40 MM	695 00 03-06	I	PAN SCREW
695 00 00-35	C	FAN CASE	695 00 02-41	F	SHIM T=0.60 MM	695 00 03-07	I	PAN SCRW
695 00 00-36	C	FAN	695 00 02-42	F	SNAP RING	695 00 03-08	L	GASKET
695 00 00-38	B	NUT NYLON	695 00 02-43	F	NEEDLE BEARING	695 00 03-09	L	AIR FILTER CASE
695 00 00-39	B	NUT	695 00 02-44	M	ENGINE SHROUD	695 00 03-10	L	AIR FILTER CAP
695 00 00-43	C	WIRE BAND	695 00 02-45	M	ENGINE SHROUD	695 00 03-11	L	AIR FILTER
695 00 00-44	A	HOSE BAND	695 00 02-46	M	SCREW	695 00 03-12	L	AIR FILTER
695 00 00-45	B	WASHER	695 00 02-47	M	WASHER	695 00 03-13	L	SPARK ARRESTER
695 00 00-48	B	KNAPSACK PAD	695 00 02-48	M	BOLT	695 00 03-14	L	MUFFLER COMPLETE
695 00 01-99	B	BRACKET	695 00 02-49	H	FLYWHEEL	695 00 03-15	L	GRATE
695 00 02-00	B	SCREW	695 00 02-50	H	IGNITER	695 00 03-16	L	BOLT
695 00 02-01	C	TAPPING SCREW	695 00 02-51	H	SPARK PLUG CAP	695 00 03-17	L	PAN SCREW
695 00 02-02	C	CAP	695 00 02-52	H	TERMINAL	695 00 03-18	L	O RING
695 00 02-03	C	ANTI-VIBE RING	695 00 02-53	H	IGNITION COIL ASSY.	695 00 03-19	K	BREATHER
695 00 02-04	C	SCREW	695 00 02-54	H	LEAD WIRE	695 00 03-20	K	FUEL FILTER
695 00 02-05	C	TAPPING SCREW	695 00 02-55	H	BOOT	695 00 03-21	K	FUEL FILTER
695 00 02-06	D	STAY	695 00 02-56	H	WASHER	695 00 03-22	K	FUEL TANK

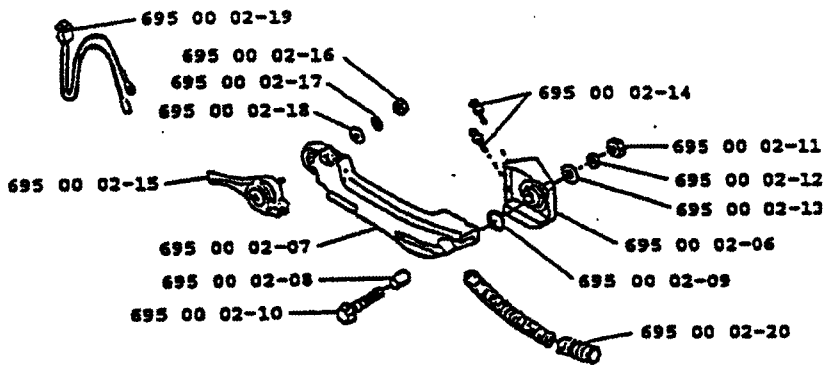
PART NUMBER	SQ.	DESCRIPTION	NOTES
695 00 03-23	K	FUEL TANK CAP	
695 00 03-24	K	JOINT	
695 00 03-25	K	CLAMP	
695 00 03-26	K	CLAMP	
695 00 03-27	K	TUBE 2.5X6.5X260 MM	
695 00 03-28	K	WASHER	
695 00 03-29	N	ROPE GUIDE	
695 00 03-30	N	STARTER PAWL	
695 00 03-31	N	RECOIL PLATE	
695 00 03-32	N	STARTER HOUSING	
695 00 03-33	N	STARTER HANDLE	
695 00 03-34	N	STARTER PAWL ASSY.	
695 00 03-35	N	STARTER ASSEMBLY	
695 00 03-36	N	STARTER PULLEY	
695 00 03-37	N	STARTER ROPE	
695 00 03-38	N	SCREW	
695 00 03-39	N	SNAP RING	
695 00 03-40	N	RECOIL SPRING	
695 00 03-41	N	STARTER PAWL SPRING	
695 00 03-42	N	WASHER	
695 00 03-43	N	PAN SCREW	
695 00 03-44	N	HEX NUT FINE THREAD	
695 00 03-45	N	WASHER	
695 00 03-46	K	WEIGHT	
695 00 04-02	O	ELBOW CPL	
695 00 00-05	O	O-RING	
695 00 00-18	O	ELBOW PIPE	
695 00 05-27	O	HOSE CLAMP	
695 00 04-21	O	WIRE CLAMP	
695 00 00-16	O	FLEX PIPE	
695 00 00-19	O	BASE PIPE	
695 00 05-24	O	STOP SWITCH	
695 00 04 -15	O	THROTTLE ASSY.	
695 00 05-28	O	HANDLE ASSY.	
695 00 05-25	O	WIRE BOLT	
695 00 00-45	O	WASHER	
695 00 00-20	O	MIDDLE PIPE	
695 00 00-21	O	BEND PIPE	
695 00 05-29	O	TUBE	
695 00 01-10	O	WIRE BAND	
695 00 04-13	Q	FAN CASE	
695 00 04-89	O	THROTTLE CABLE	
695 00 04-29	P	IGNITION	

A**B**

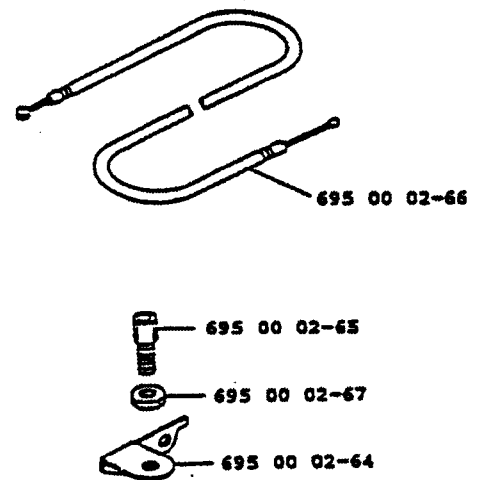
C



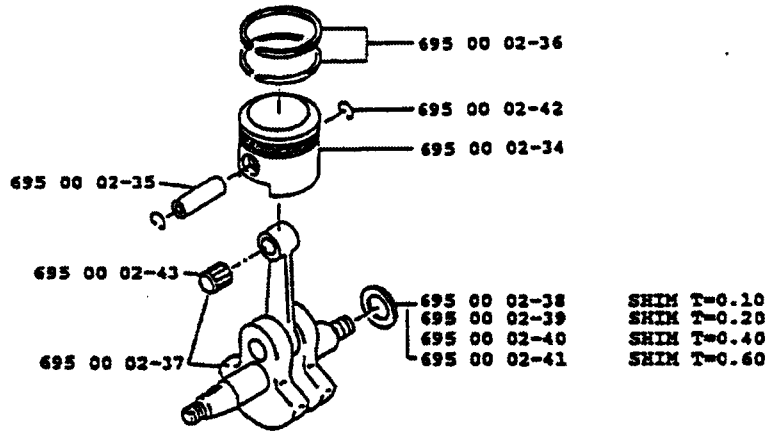
D



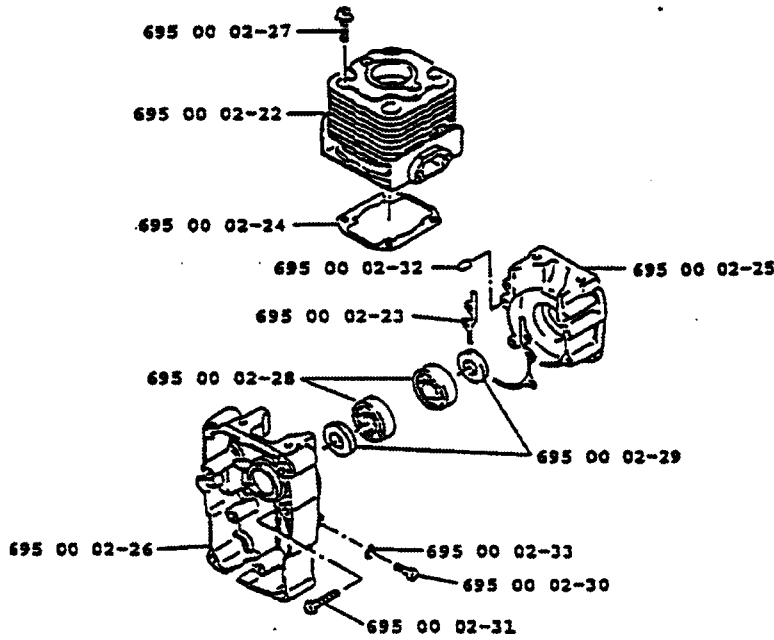
E



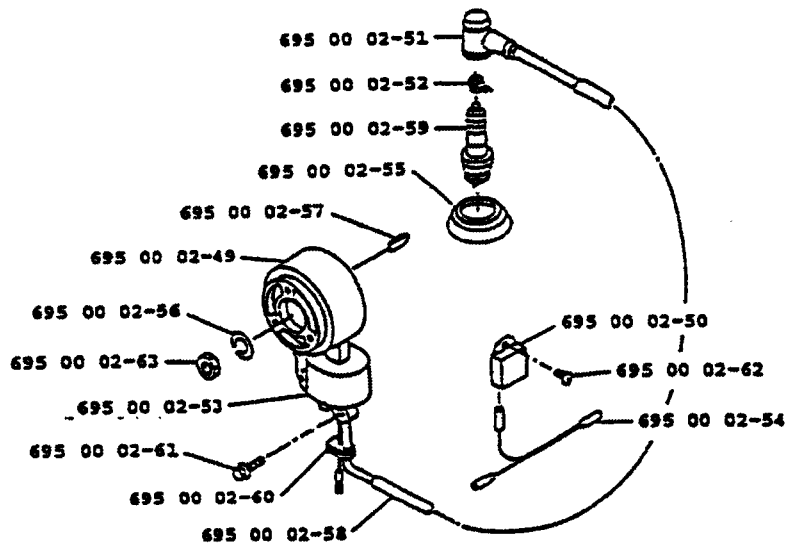
F



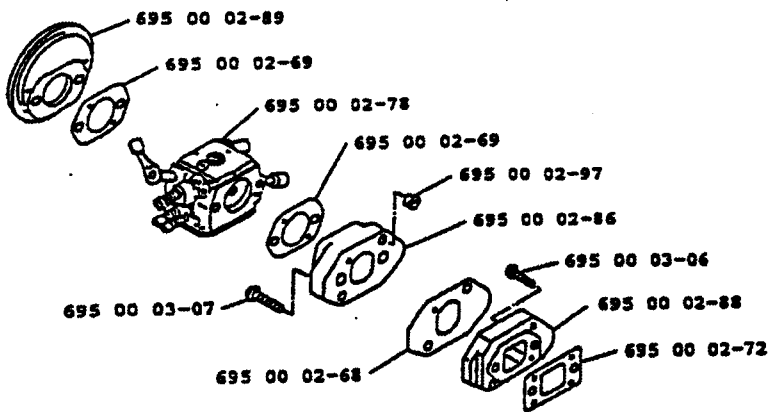
G



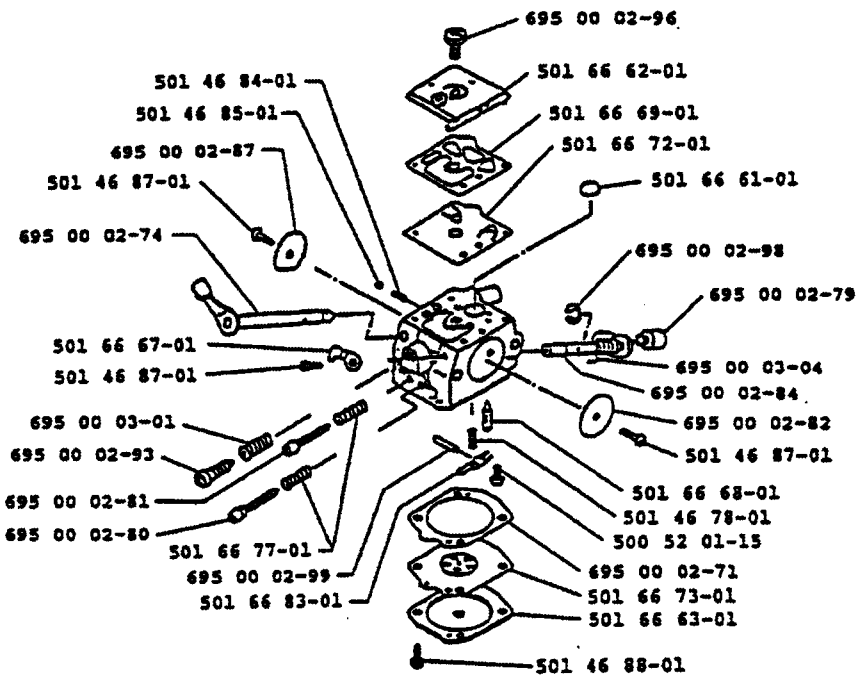
H



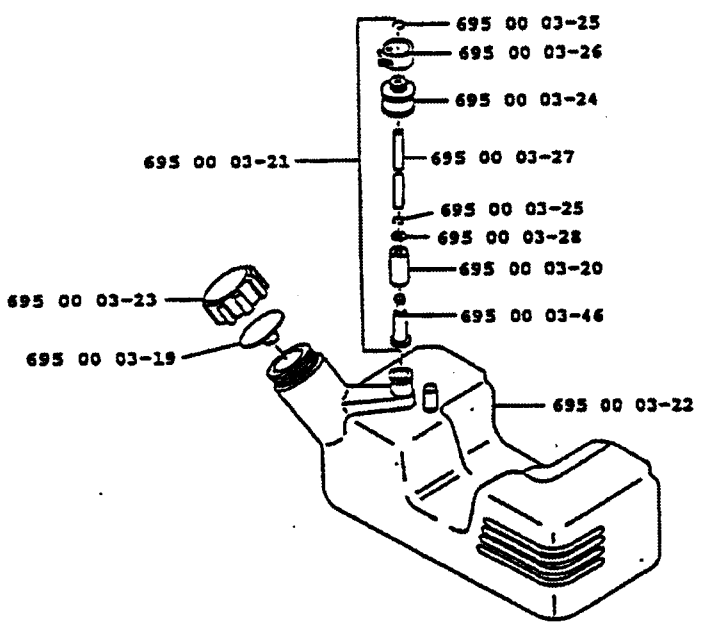
I



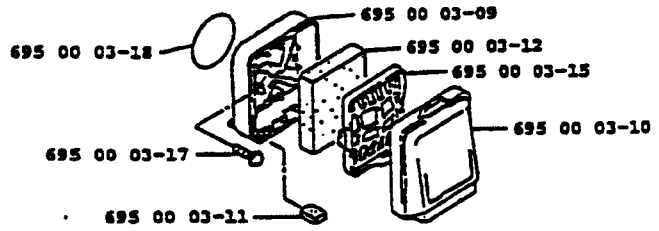
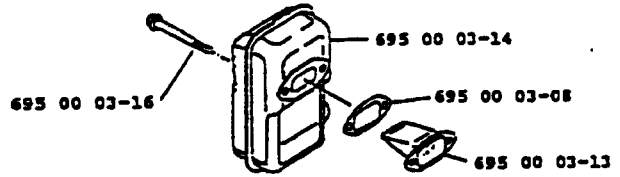
J



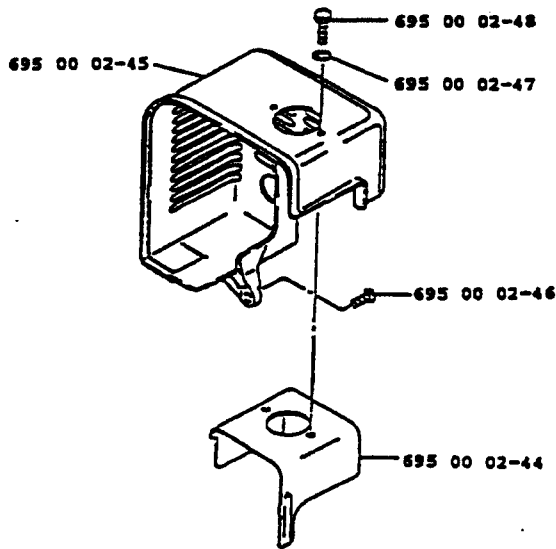
K



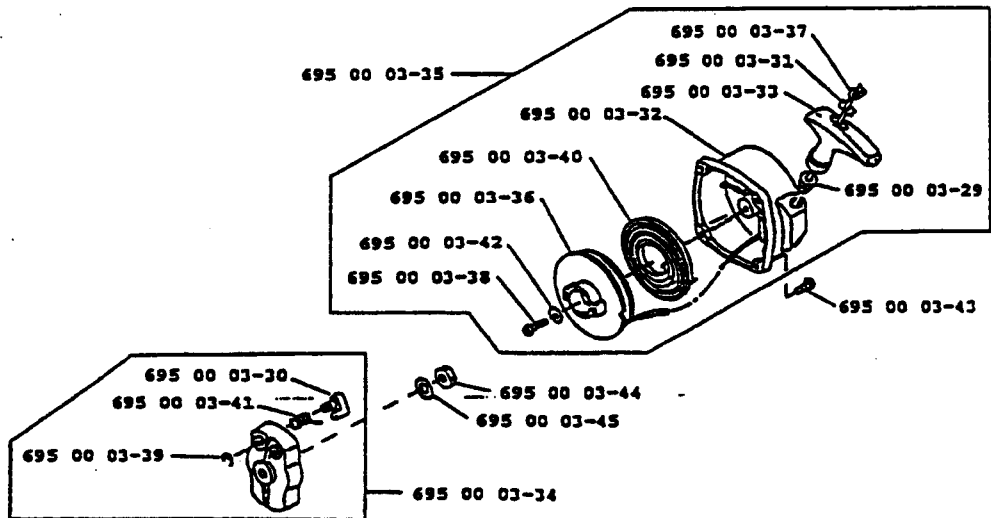
L



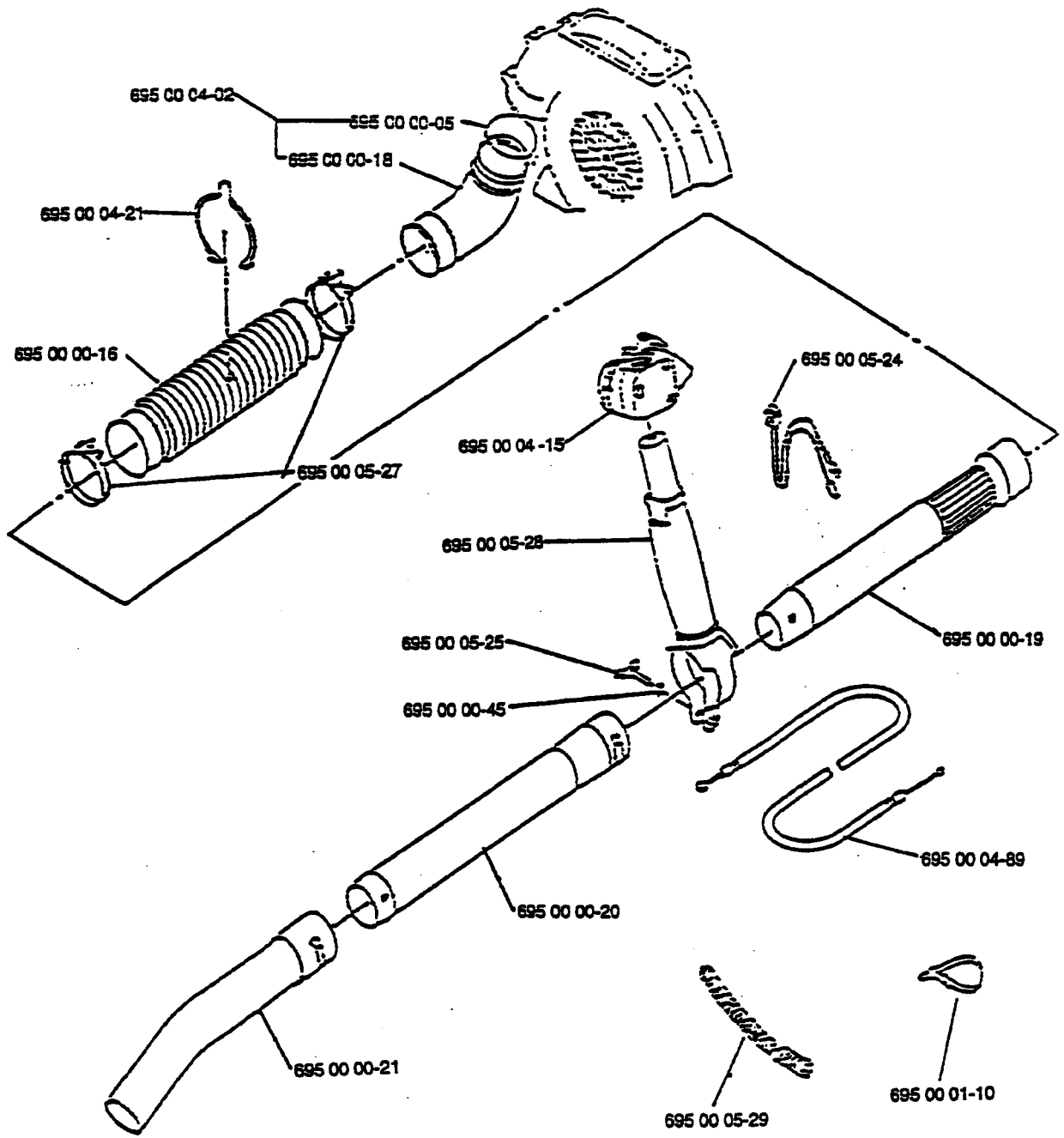
M



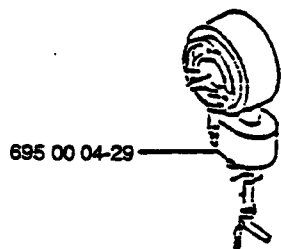
N



O



P



Q

