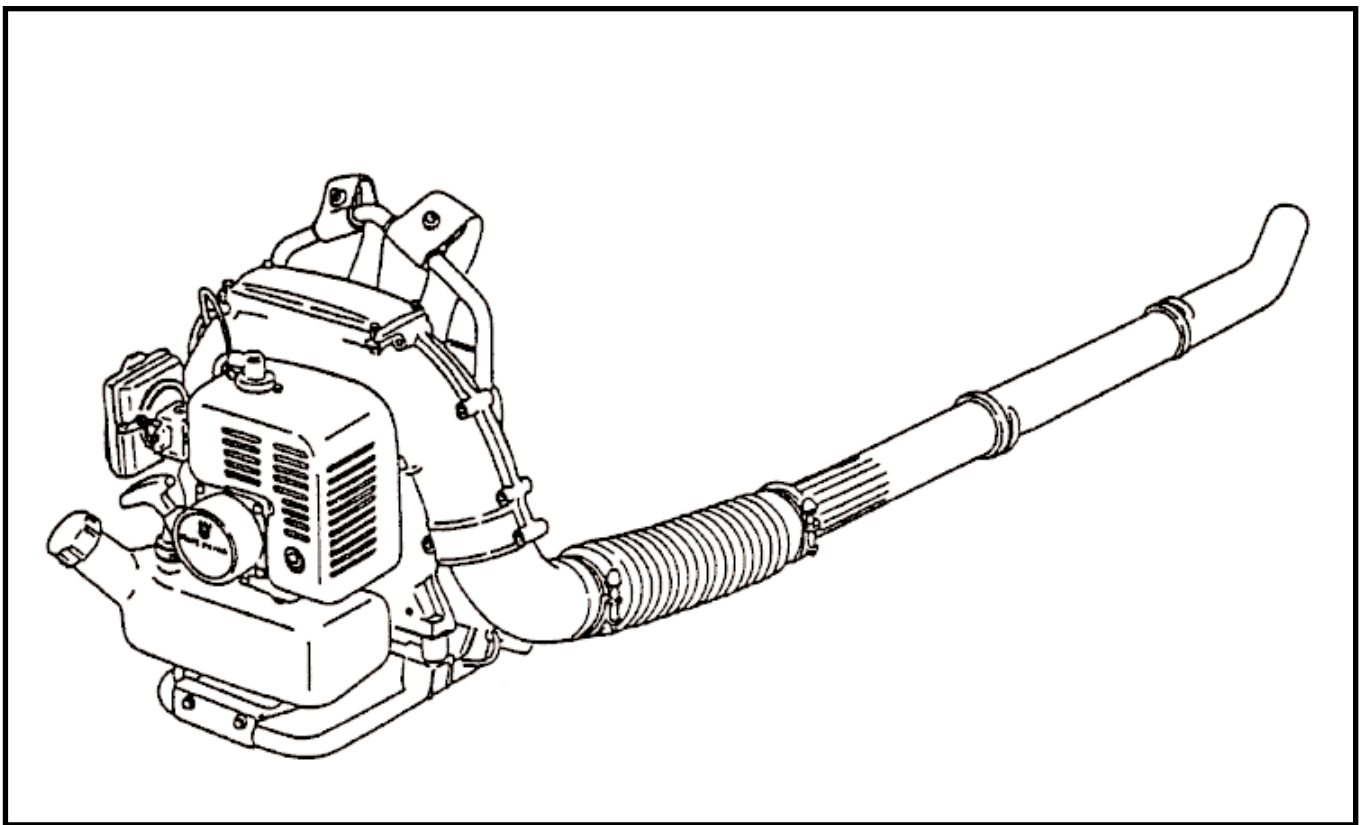
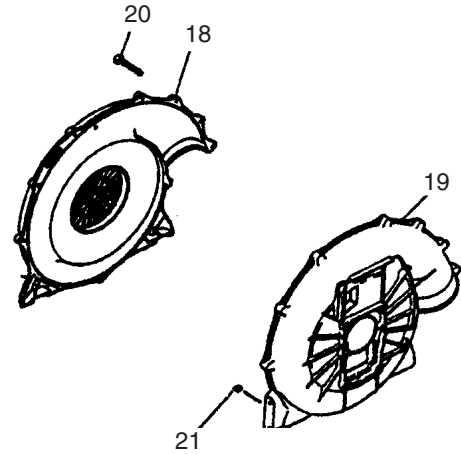
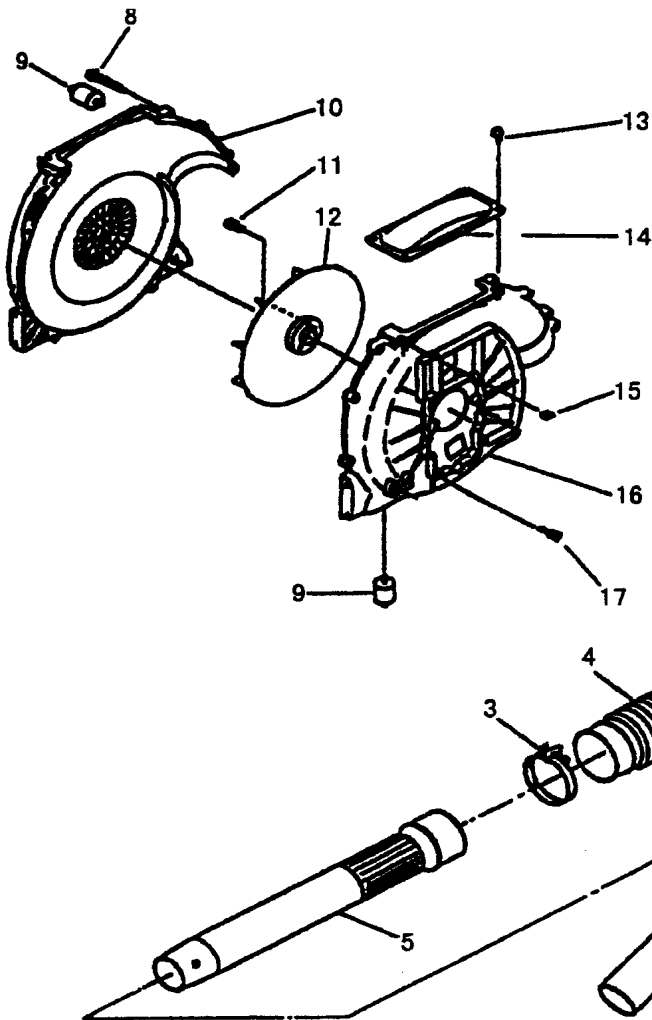


145 BF



Repair Parts Manual

Backpack Blower

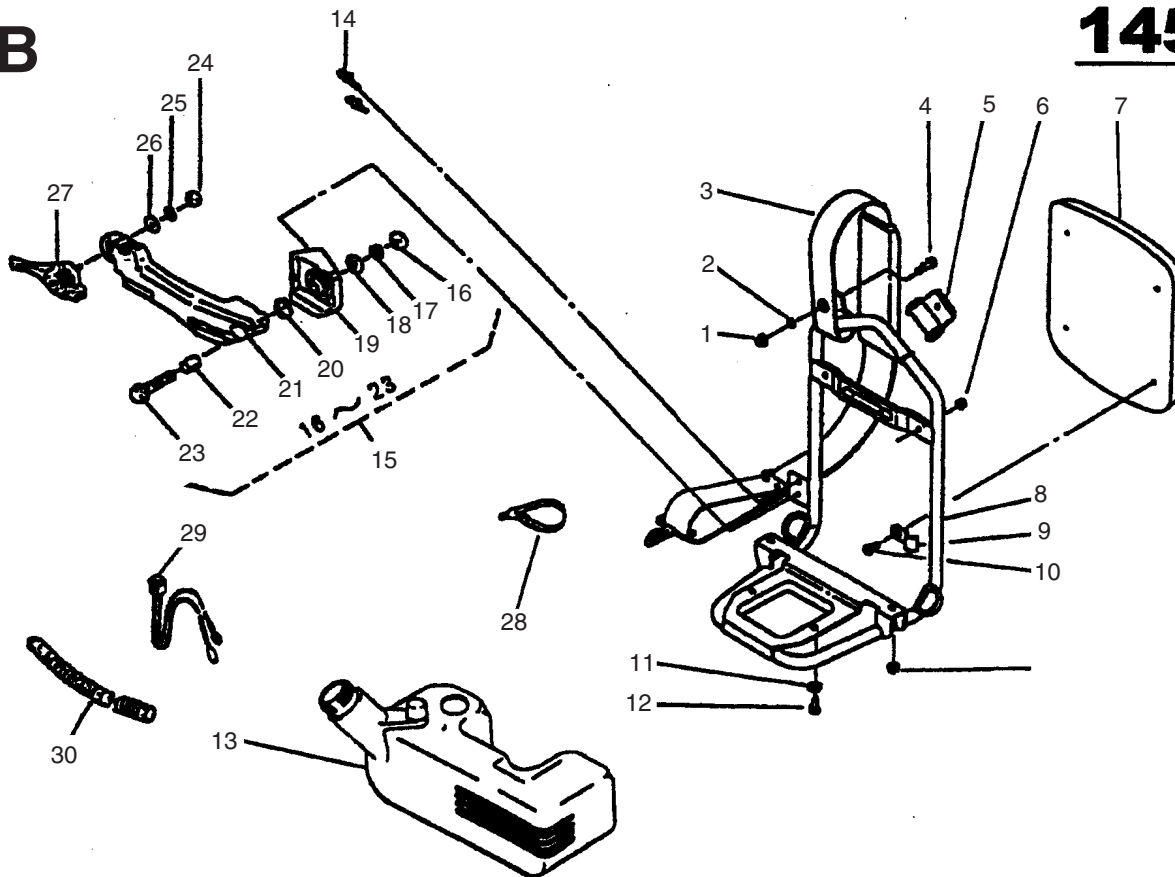
A**145BF****New Style Housing**

| Ref. # | Part # | Description |
|--------|--------------|-----------------------|
| 1 | 695 00 04-02 | Elbow Pipe Compl. |
| 2 | 695 00 00-05 | O-Ring |
| 3 | 695 00 05-27 | Clamp |
| 4 | 695 00 00-16 | Flexible Pipe |
| 5 | 695 00 00-19 | Base Pipe |
| 6 | 695 00 00-20 | Middle Pipe |
| 7 | 695 00 00-21 | Bend Pipe |
| 8 | 695 00 02-05 | Tapping Screw (M5x30) |
| 9 | 695 00 01-88 | Rubber AV Mount |
| 10 | 695 00 04-13 | Fan Housing |
| 11 | 695 00 06-37 | Pre-Coat Lock Bolt |

| Ref. # | Part # | Description |
|--------|--------------|-------------------------|
| 12 | 695 00 00-36 | Fan |
| 13 | 695 00 02-04 | Screw (M6x20) |
| 14 | 695 00 00-14 | Cover |
| 15 | 695 00 00-06 | Hex Nut |
| 16 | 695 00 00-35 | Fan Housing |
| 17 | 695 00 06-40 | Pre-Coat Lock Bolt |
| 18 | 695 00 06-52 | Fan Housing (New Style) |
| 19 | 695 00 06-53 | Fan Housing (New Style) |
| 20 | 695 00 02-05 | Tapping Screw |
| 21 | 695 00 00-06 | Hex Nut |

145BF

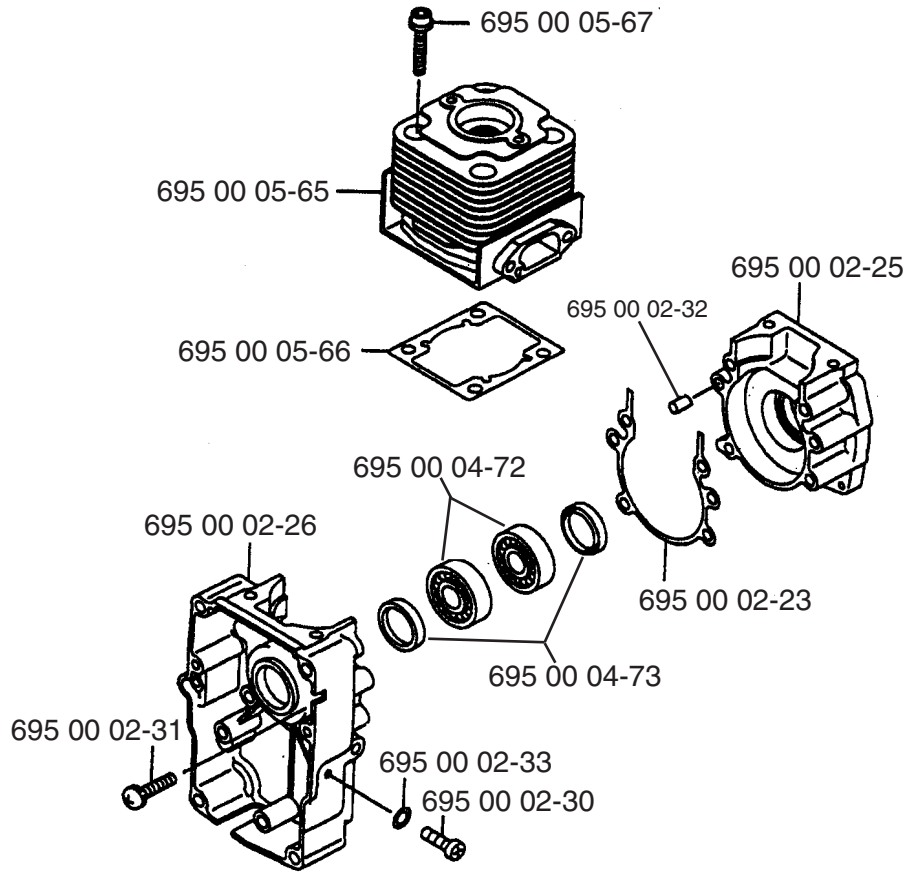
B



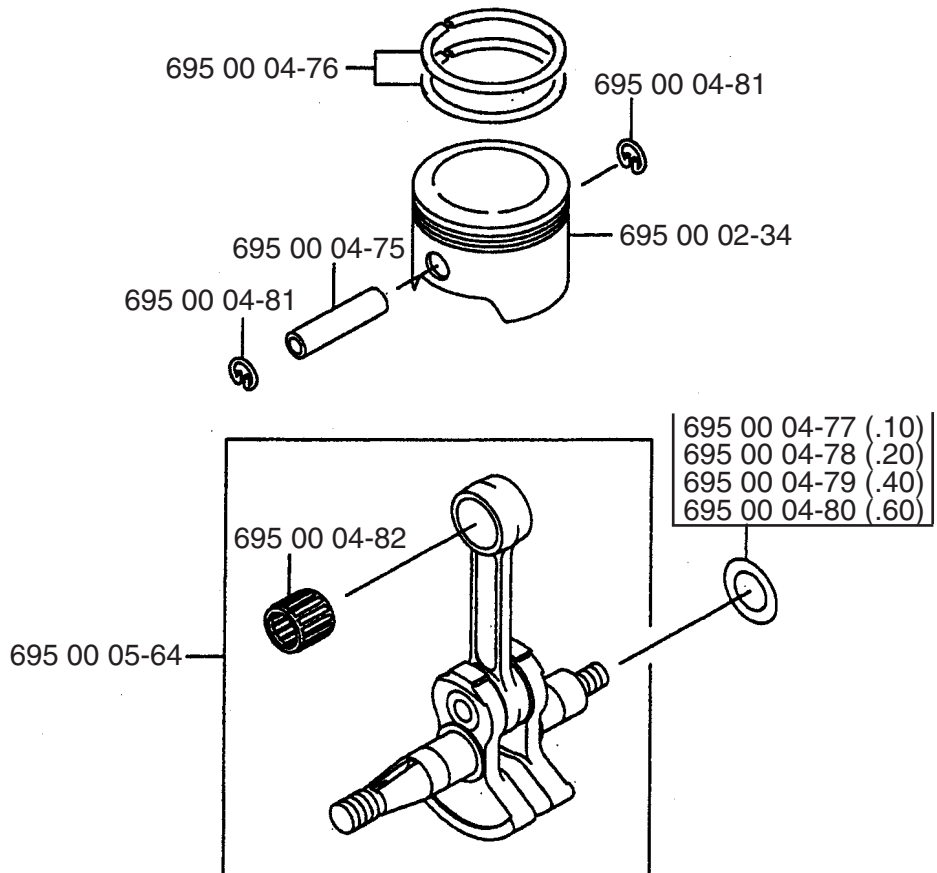
| Ref. # | Part # | Description |
|--------|--------------|-----------------------|
| 1 | 695 00 00-38 | Flange Nylon Nut (M6) |
| 2 | 695 00 00-45 | Washer |
| 3 | 695 00 05-30 | Shoulder Strap |
| 4 | 695 00 00-25 | Truss Screw (M6x20) |
| 5 | 695 00 00-17 | Strap Support |
| 6 | 695 00 00-39 | Flange Nut |
| 7 | 695 00 00-48 | Backpack Pad |
| 8 | 695 00 06-49 | Backpack Frame |
| 9 | 695 00 00-03 | Backpack Pad Clamp |
| 10 | 695 00 00-10 | Hex Bolt (M5x12) |
| 11 | 501 94 13-01 | Plain Washer (M6) |
| 12 | 695 00 02-00 | Screw (M6x10) |
| 13 | 695 00 05-72 | Fuel Tank |
| 14 | 695 00 06-75 | Screw (M5x12) |
| 15 | 695 00 04-04 | Lever Compl. |

| Ref. # | Part # | Description |
|--------|--------------|-------------------------|
| 16 | 695 00 02-16 | Hex Nut |
| 17 | 695 00 02-12 | Spring Lock Washer (M8) |
| 18 | 695 00 02-13 | Plain Washer (M8) |
| 19 | 695 00 02-06 | Lever Mount |
| 20 | 695 00 02-09 | O-Ring |
| 21 | 695 00 02-07 | Lever Body |
| 22 | 695 00 02-08 | Spacer |
| 23 | 695 00 02-10 | Flange Bolt (M8x25) |
| 24 | 695 00 02-16 | Hex Nut (M5) |
| 25 | 695 00 02-17 | Spring Lock Washer (M5) |
| 26 | 695 00 02-18 | Plain Washer (M5) |
| 27 | 695 00 02-15 | Throttle Lever |
| 28 | 695 00 00-43 | Wire Band |
| 29 | 695 00 02-19 | Stop Switch |
| 30 | 695 00 02-20 | Tube |

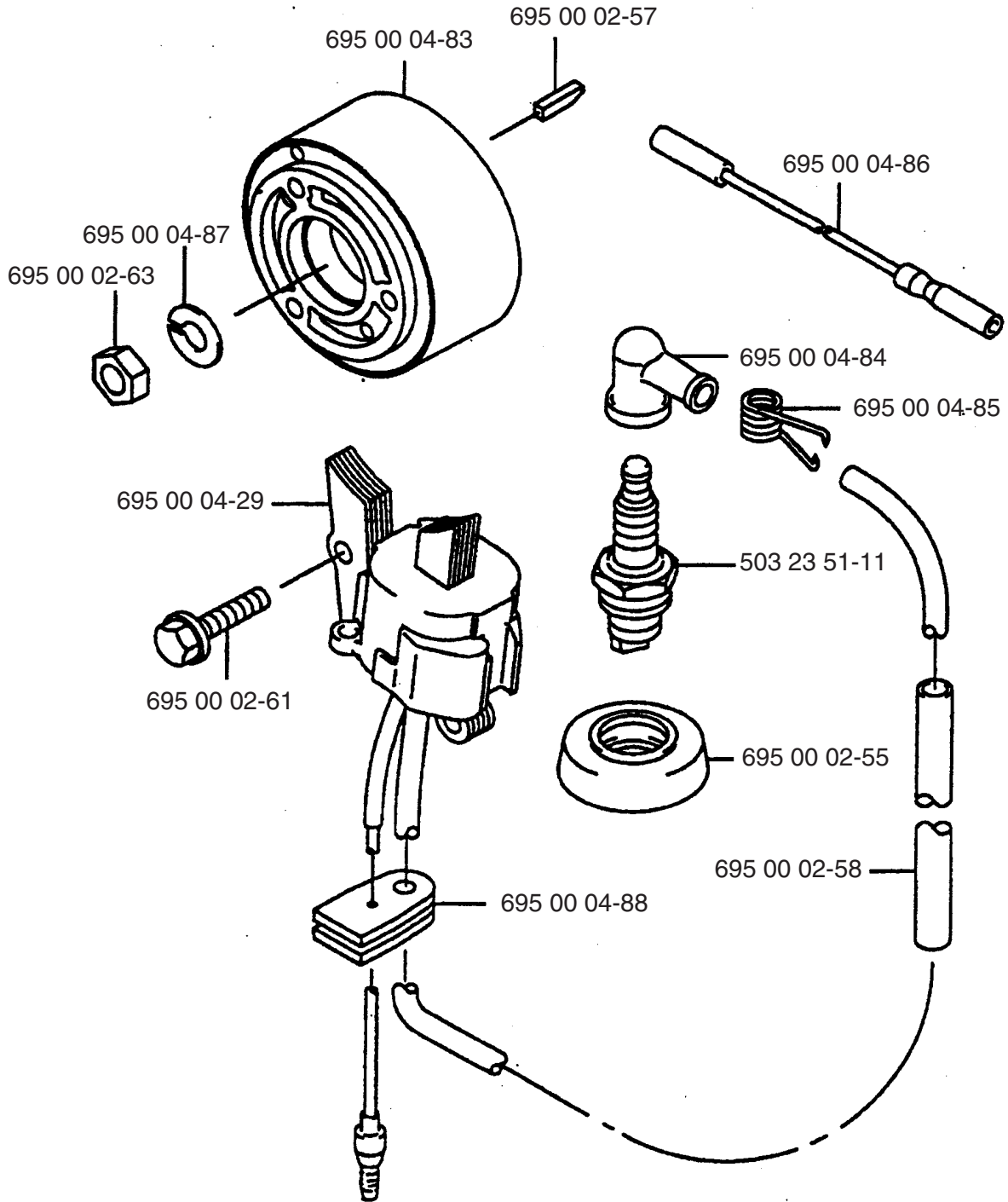
C



D

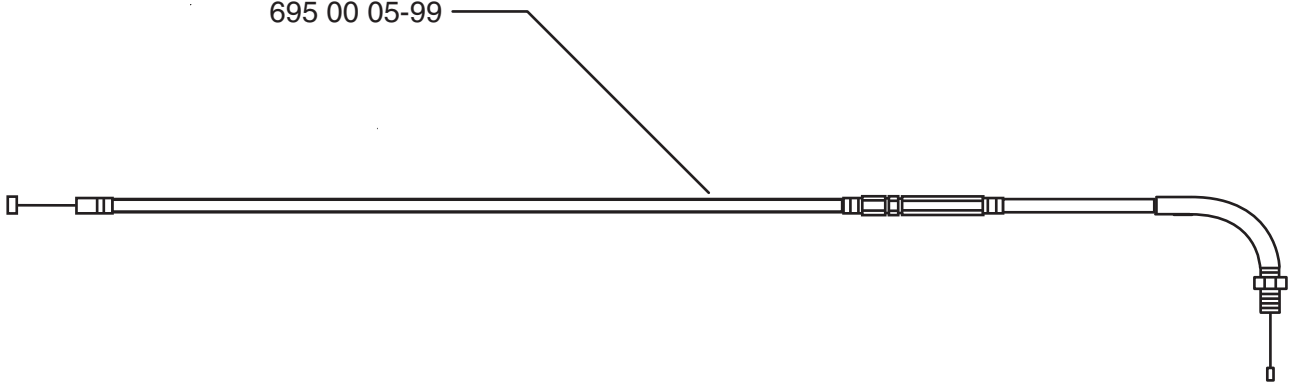


E

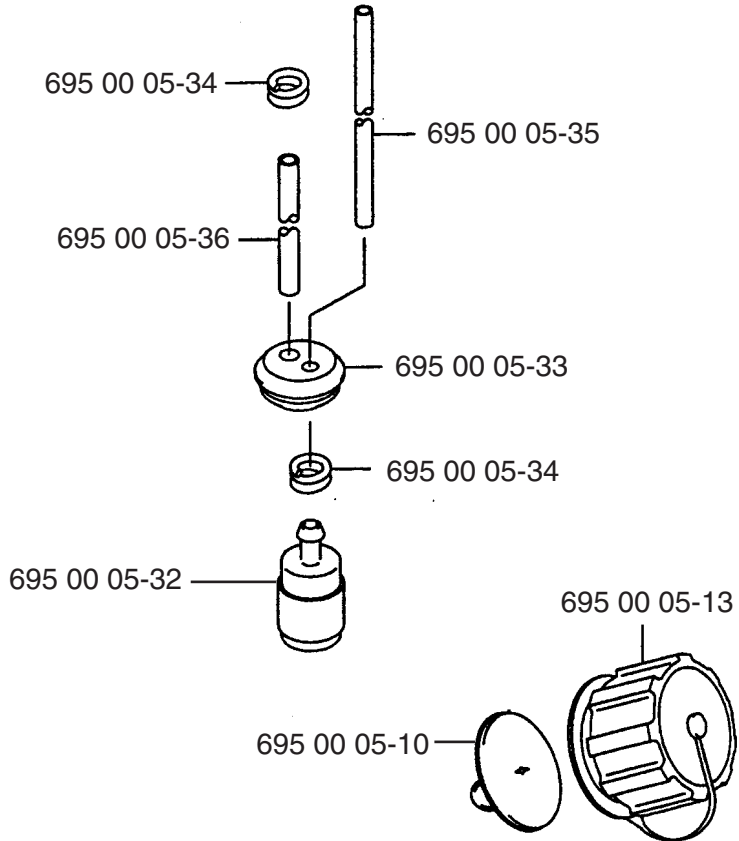


F

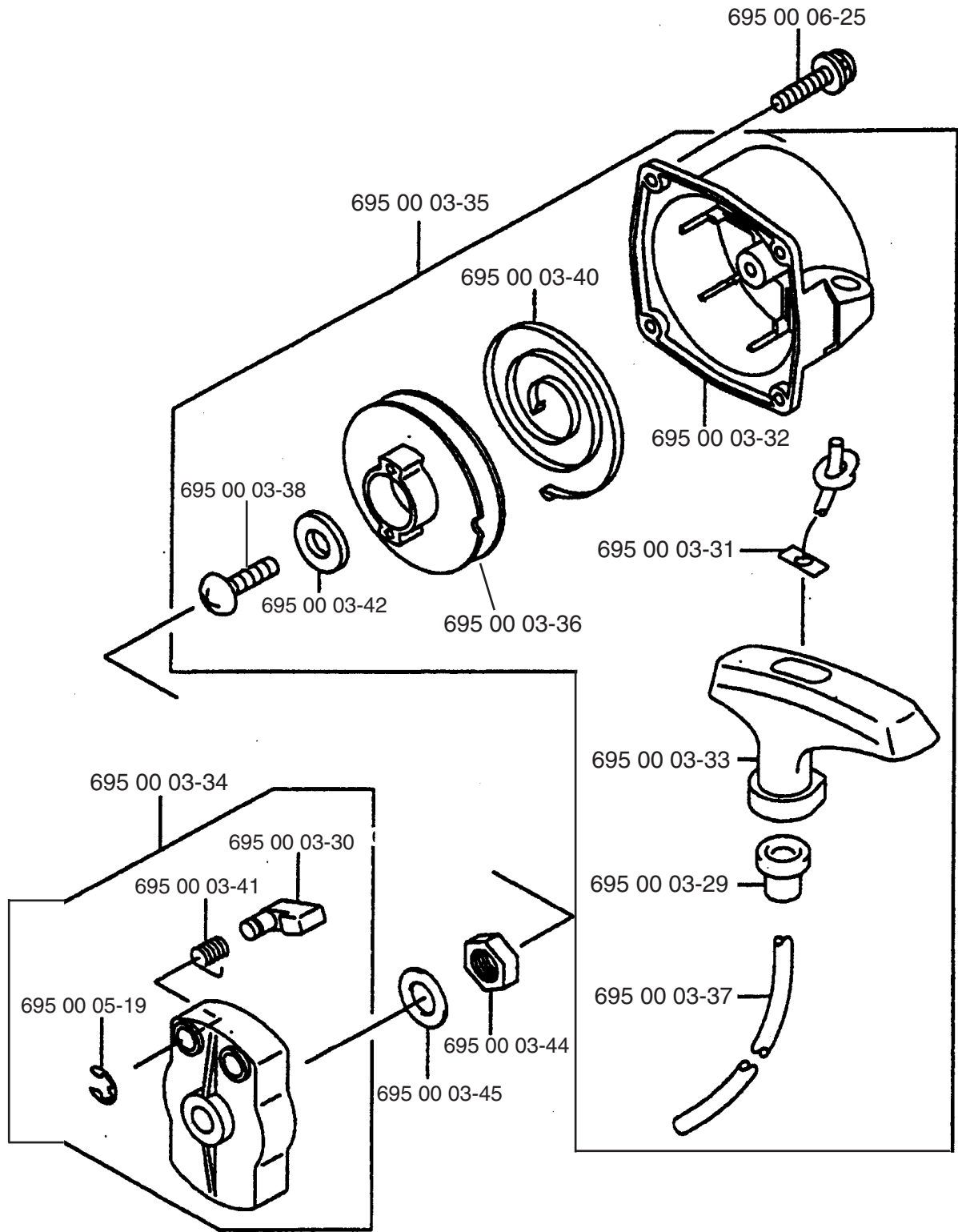
695 00 05-99



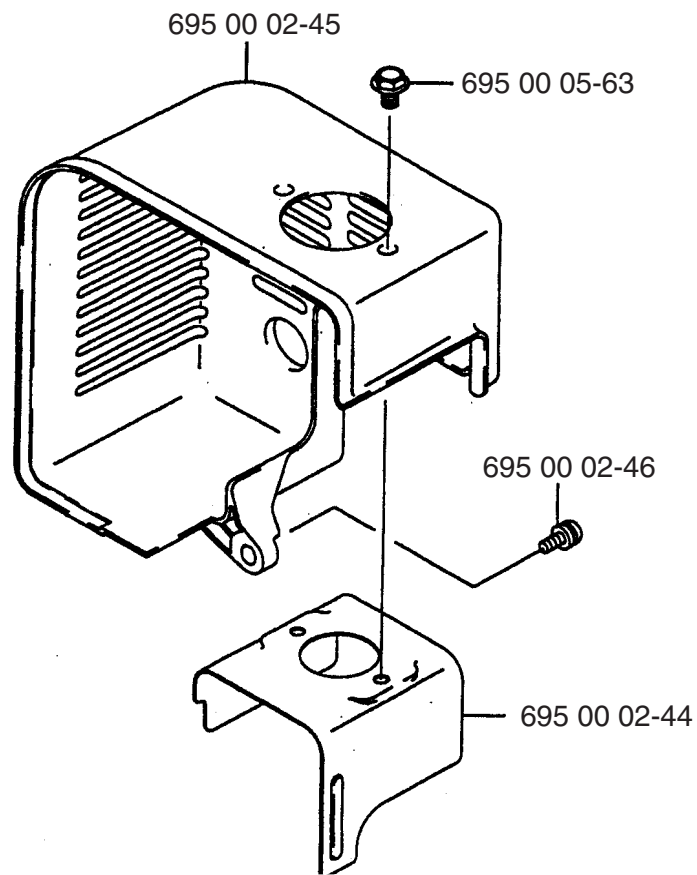
G



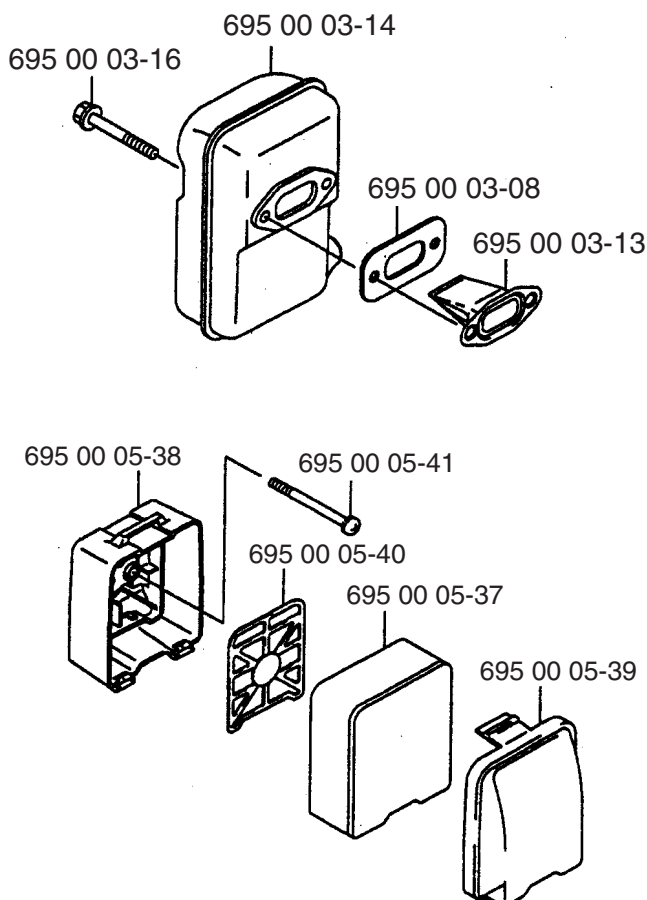
H



J



K



695 00 06-30

| | |
|------------------------|--------|
| REPLACEMENT | |
| FUEL MIXTURE RATIO | 50 : 1 |
| AIR/FILTER | |
| DRAINAGE OF CONDENSATE | |

L

