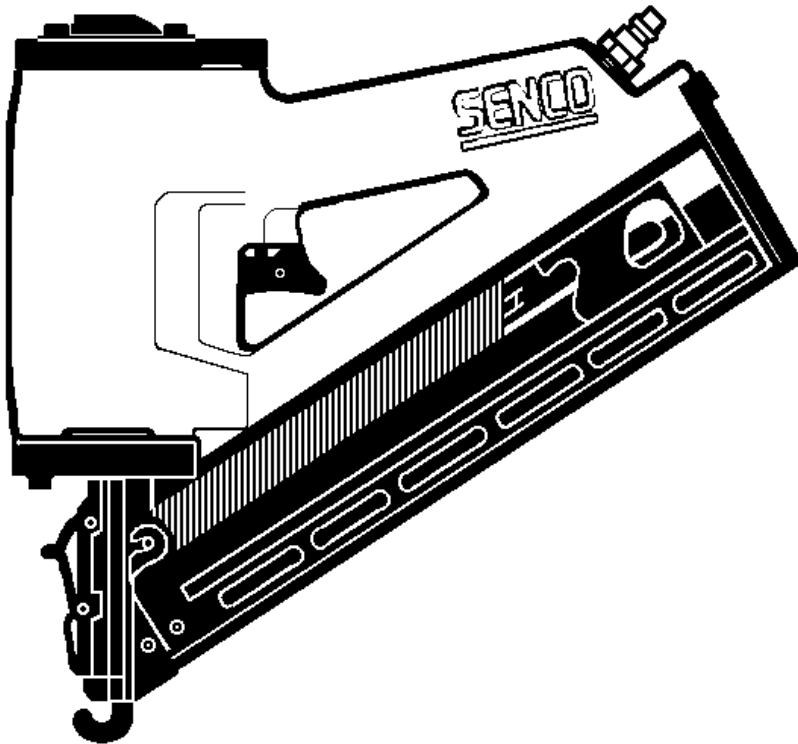


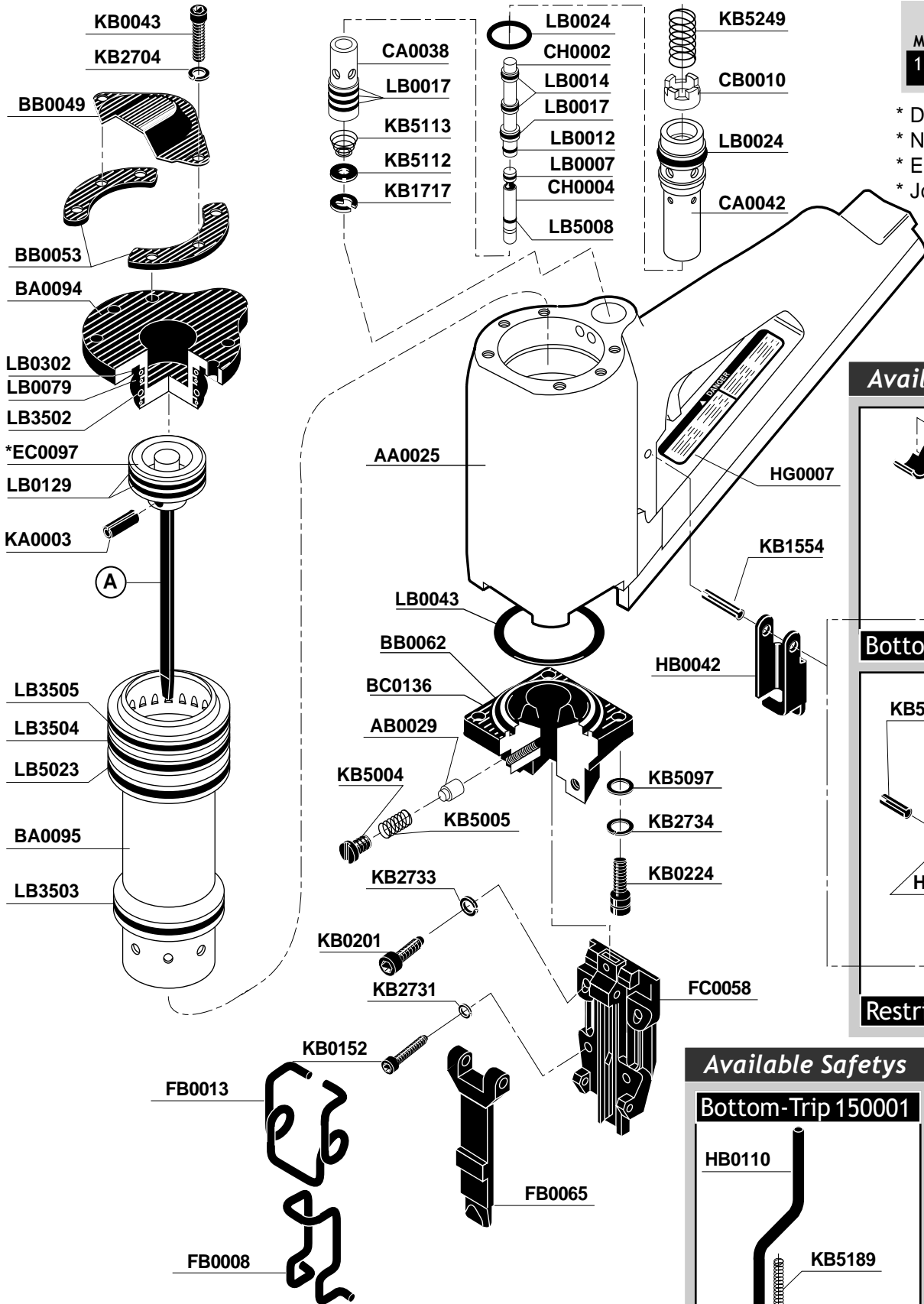
# SN2

## *Parts Reference Guide*

Made  
in the  
U.S.A. 



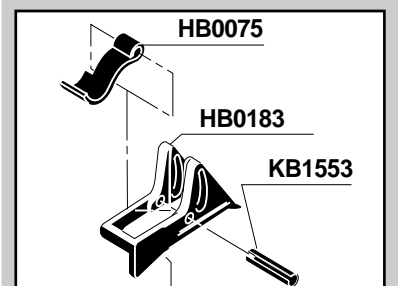
\* Schematic Drawings inside



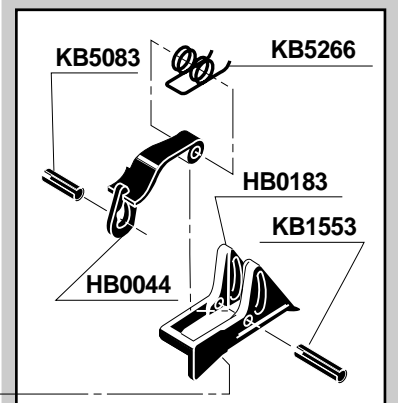
Model	A
150001 BF/TF	EB0170

- \* Does not include seals
- \* No incluye sellos de gomas
- \* Exklusiv Dichtringe
- \* Joints exclus

### Available Triggers



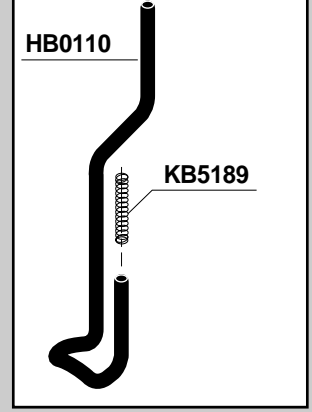
### Bottom-Trip



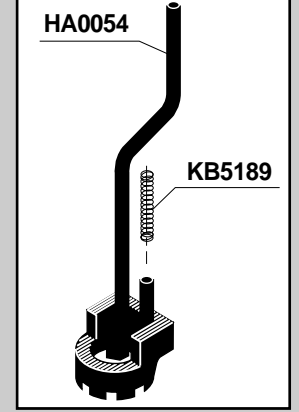
### Restrictive

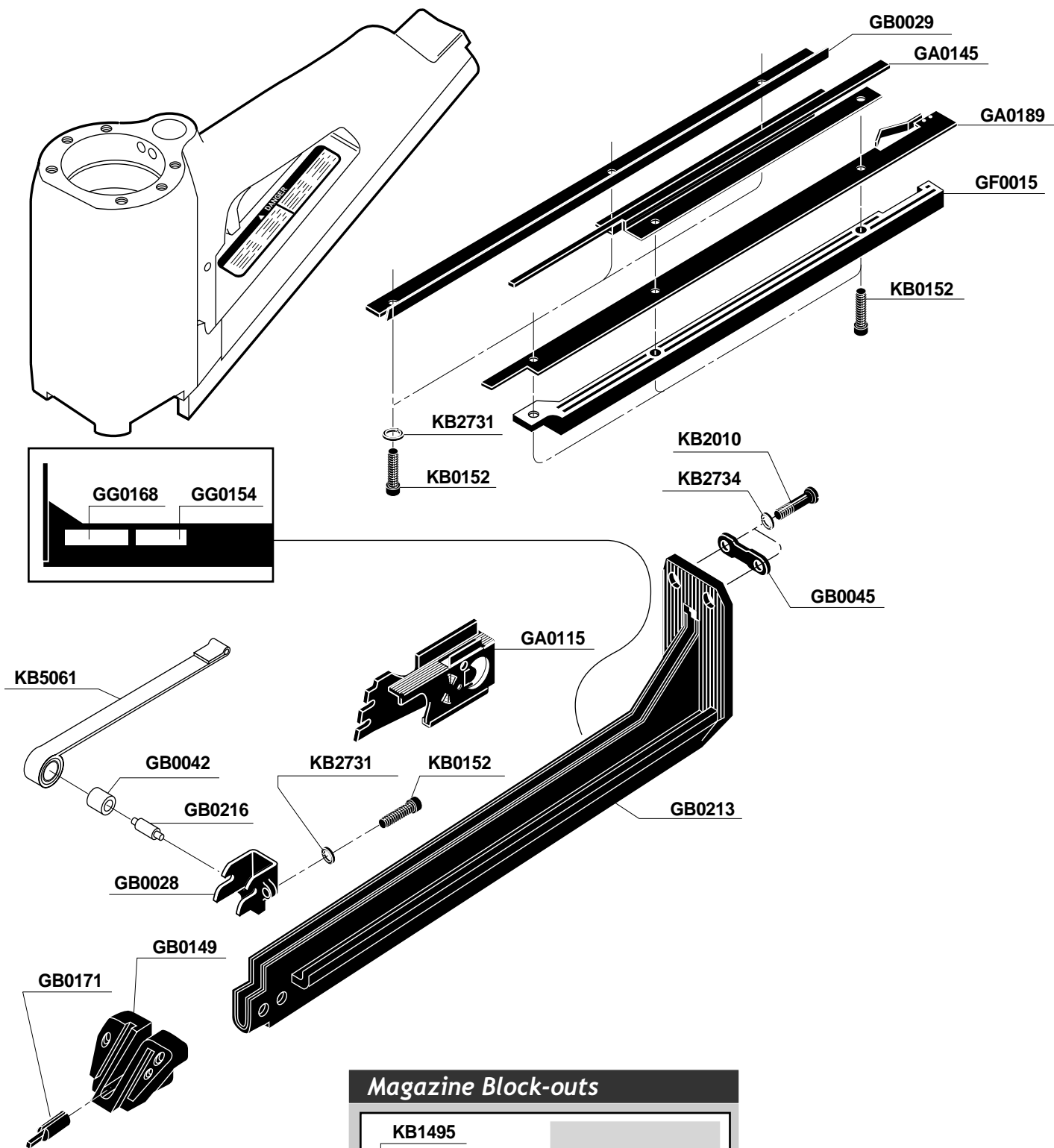
### Available Safetys

#### Bottom-Trip 150001

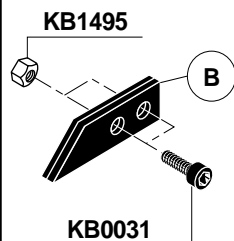


#### Toenail





### Magazine Block-outs



B	Nail Size
GC0265	6d
GC0268	7d
GC0266	8d

Magazine block-outs could be required when driving the shorter length fasteners. For additional information, contact your nearest SENCO representative.



REPLACEMENT PARTS LIST • LISTA DE PARTES DE REPUESTO • ERSATSTEILE-LISTE • LISTE DE PIÈCES DE RECHANGE

PART NO.	DESCRIPTION	DESCRIPCIÓN	BESCHREIBUNG	DÉSIGNATION
AA0025	MAIN BODY ASSY.			
AA0044	DETENT ASSY.			
AB0029	DETENT			
BA0069	CAP ASSY. (OLD STYLE)			
BA0094	CAP ASSY.			
BA0095	CYLINDER SLEEVE ASSY.			
BB0049	DEFLECTOR			
BB0053	WEAR PLATE			
BB0062	STOP			
BC0136	ADAPTOR			
CA0038	HOUSING ASSY.			
CA0042	VALVE CAGE ASSY.			
CB0010	VALVE CAGE INSERT			
CH0002	VALVE CORE ASSY.			
CH0004	TRIGGER CORE ASSY.			
CH0008	TRIGGER CORE & HOUSING ASSY.			
EB0169	DRIVER			
EB0170	DRIVER (1/8" CSK.)			
EB0191	DRIVER (1/4" CSK.)			
EC0097	MAIN PISTON			
EC0111	DRIVER (FLUSH)			
FA0149	GUIDE BODY ASSY.			
FB0008	LOCK SPRING			
FB0013	UPPER LOCK SPRING			
FB0065	FRONT PLATE			
FC0058	BACKPLATE			
GA0115	FEEDER SHOE			
GA0145	WEAR SHROUD			
GA0189	UPPER LEFT RAIL			
GB0028	SPRING HOUSING			
GB0029	UPPER RIGHT RAIL			
GB0042	FEDDER SPRING ROLLER			
GB0045	RAIL PLATE			
GB0149	MOUNTING PLATE			
GB0171	INSERT			
GB0213	RAIL			
GB0216	PIN			
GC0265	BLOCK-OUT (6D)			
GC0266	BLOCK-OUT (8D)			
GC0268	BLOCK-OUT (7D)			
GF0015	WEAR STRIP			
GG0154	LABEL (BLOCK-OUT)			
GG0168	LABEL (FASTENER RANGE)			
HA0054	TOENAIL SAFETY			
HB0042	SAFETY COVER			
HB0044	INNER TRIGGER (RESTRICTIVE)			
HB0075	INNER TRIGGER			
HB0110	SAFETY			
HB0183	TRIGGER			
HG0007	LABEL (SAFETY PRECAUTIONS)			
KA0003	DRIVER PIN ASSY.			
KB0031	BLOCK-OUT SCREW			
KB0201	SCREW			
KB0224	SCREW			
KB1495	LOCKOUT			
KB1547	PIN			
KB1553	PIN			
KB1554	PIN			
KB1717	RETAINER			
KB2010	SCREW			
KB2704	WASHER			
KB2731	WASHER			
KB2733	WASHER			
KB2734	WASHER			
KB5004	SCREW			
KB5005	SPRING			
KB5061	FEEDER SPRING			
KB5083	PIN (RESTRICTIVE)			
KB5097	WASHER			
KB5112	WASHER			
KB5113	SPRING			
KB5189	SPRING			
KB5249	SPRING			
KB5266	SPRING (RESTRICTIVE)			
LB0007	SEAL			
LB0012	SEAL			
LB0014	SEAL			
LB0017	SEAL			
LB0024	SEAL			
LB0043	SEAL			
LB0079	SEAL			
LB0129	SEAL			
LB0302	SEAL			
LB3502	SEAL			
LB3503	SEAL			
LB3504	SEAL			
LB3505	SEAL			
LB5008	SEAL			
LB5023	SEAL			

Questions? Comments? call SENCO's toll-free Action-line: 1-800-543-4596 or e-mail: [toolprof@senco.com](mailto:toolprof@senco.com)