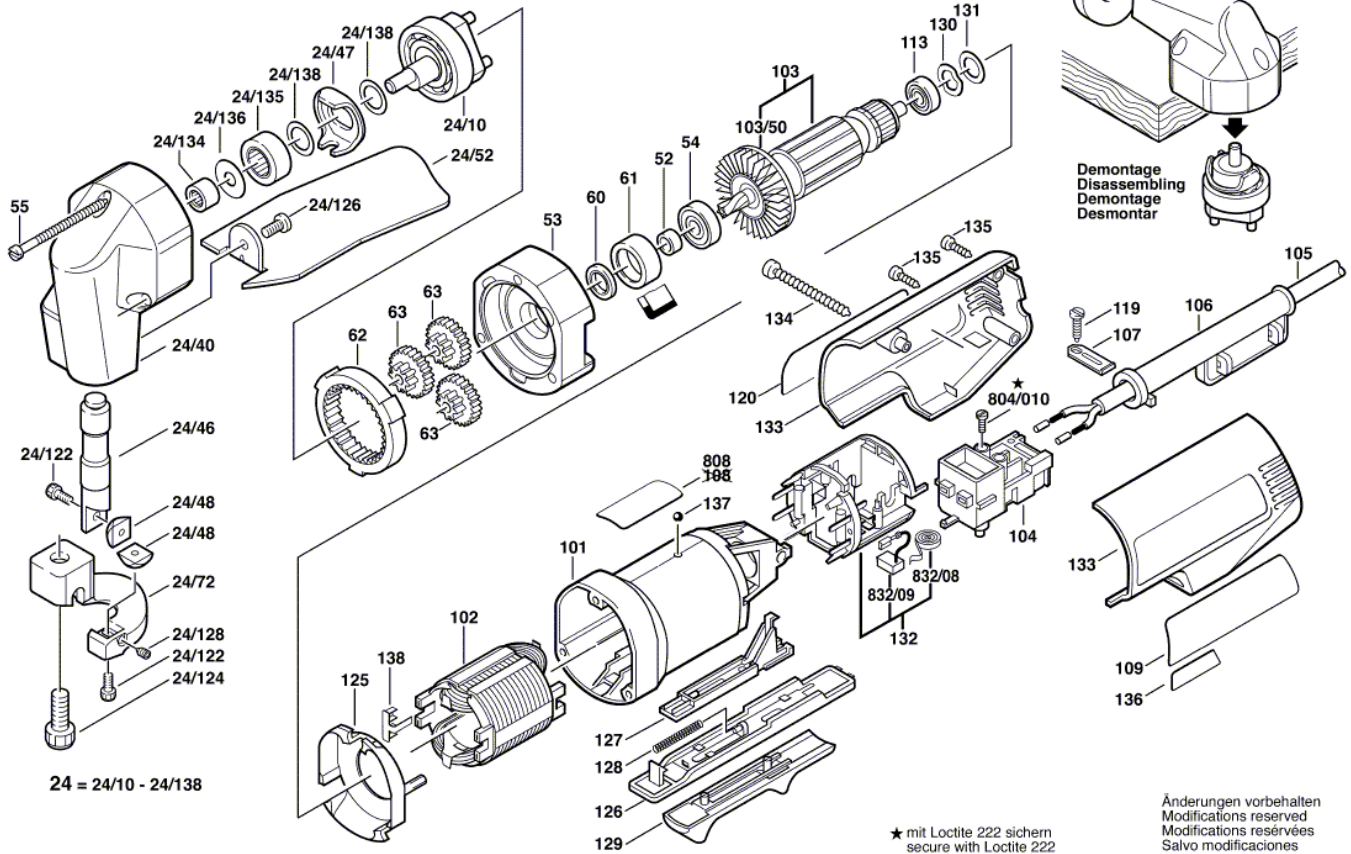


0 601 500 239  
Issue } 08-09-16  
Stand }

**Fig./Abb. 1**



Pos.	Part Number	Description	Pos.	Part Number	Description
24/10	3 609 202 077	Planetary-Gear Carrier			
24/40	3 609 202 080	Housing			
24/46	3 609 202 082	Tappet			
24/47	3 609 202 081	U-Sheet			
24/48	3 608 635 004	Set Of Blades			
24/52	3 609 202 083	Chip Deflector			
24/72	3 609 202 084	Cutting Table			
24/122	2 910 401 118	Socket head cap screw			
24/124	2 912 721 242	Socket head cap screw			
24/126	3 603 391 007	Thread-forming tap. Screw			
24/128	2 912 010 115	Set screw			
24/134	3 609 202 085	Needle bearing			
24/135	3 609 202 086	Track-Supporting Roller			
24/136	3 609 202 087	Shim ring			
24/138	3 607 233 008	Shim ring			
52	2 600 300 047	Seal Bushing			
53	3 605 700 135	Bearing Flange			
54	2 600 905 021	Deep-Groove Ball Bearing			
54	2 600 905 039	Deep-Groove Ball Bearing			
55	3 603 435 006	Tapping Screw			
60	1 600 290 016	Rotary shaft lip seal			
61	3 600 290 052	Rubber Ring			
62	3 600 112 004	Ring Gear			
63	3 600 112 005	Wheel			
101	2 605 108 060	Motor Housing			
102	2 604 220 501	Field			
103	2 604 011 073	Armature			
103/50	2 606 610 081	Fan			
104	2 607 200 311	Push-Button Switch			
105	2 604 460 138	Power supply cord			
106	2 600 703 035	Grommet			
107	1 601 302 017	Fastening Clamp			
109	3 601 110 406	Sticker			
113	2 600 905 032	Deep-Groove Ball Bearing			
119	2 910 211 019	Tapping Screw			
120	3 601 110 403	Sticker			
125	2 601 328 002	Cover Disc			
126	2 608 001 005	Switch Rocker			
127	2 608 001 008	Switch Slide			
128	2 604 611 033	Compression Spring			
129	2 608 001 010	Switch Handle			
130	2 600 150 003	Shim			
131	2 600 101 617	Shim			
132	2 604 337 056	Brush Holder			
133	2 605 104 339	Housing Section			
134	2 910 211 283	Tapping Screw			
135	2 910 211 007	Tapping Screw			
136	3 601 110 206	Sticker			
137	2 603 230 001	Ball			
138	2 601 329 037	Contact Spring			
804/010	3 607 030 229	Socket head cap screw			
808	1 601 106 032				
832/08	1 604 652 013	Spiral Spring			
832/09	3 607 014 001	Carbon-Brush Set			