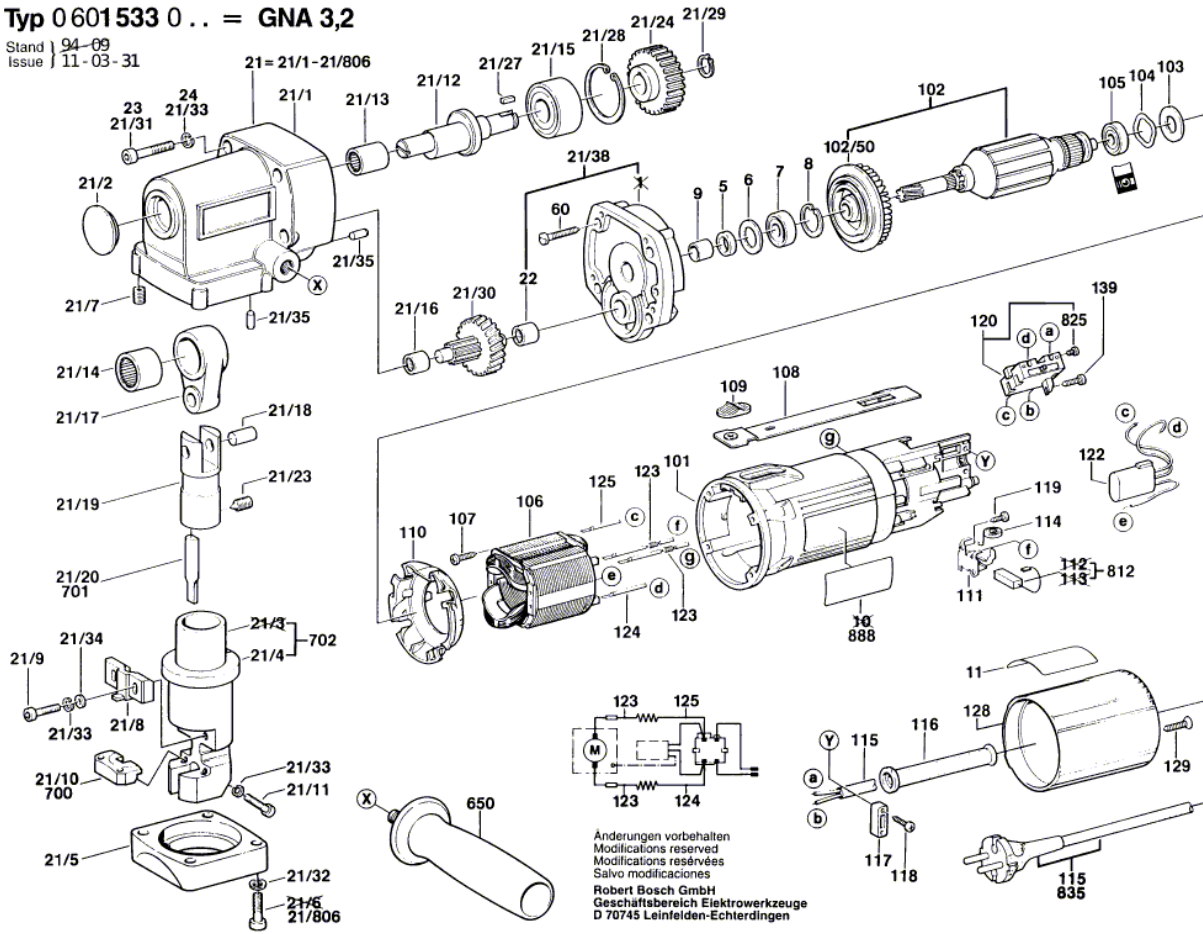


1800 W. Central Mount Prospect IL 60056

Typ 0601533 0.. = GNA 3,2

Stand | 94-09
Issue | 11-03-31



Pos.	Part Number	Description	Pos.	Part Number	Description
5	2 600 108 077	Felt Washer	118	2 910 211 011	Tapping Screw
6	2 600 500 002	Cupped Washer	119	2 910 211 005	Tapping Screw
7	2 600 905 039	Deep-Groove Ball Bearing	120	2 607 200 674	
8	2 916 660 008	Spring retaining ring	123	2 604 448 034	Connecting Cable
9	2 600 400 008	Receptacle	124	2 604 448 044	Connecting Cable
11	3 601 110 061	Sticker	125	2 604 448 056	Connecting Cable
21	3 607 030 022	Nibbler-Head	128	2 605 500 073	Housing Cover
21/1	3 609 201 156	Gear Housing	129	2 603 490 023	Lens Head Screw
21/2	3 609 201 157	Protective Cap	139	2 603 490 017	Torx Oval-Head Screw
21/4	3 607 031 195	Lower Die Ring	650	2 602 025 067	Auxiliary Handle
21/5	3 609 201 158	Retaining snap ring	700	2 608 639 026	Lower Die
21/8	3 609 201 159	Guide Piece	701	3 607 031 197	Nibbling Punch
21/9	3 603 414 028	Hex Socket Head Cap Screw	702	3 607 031 195	Lower Die Ring
21/10	2 608 639 026	Lower Die	812	1 607 014 116	Carbon-Brush Set
21/11	2 910 151 164	Hex Socket Head Cap Screw	825	2 603 410 001	Socket head cap screw
21/12	3 609 201 160	Eccentric Shaft	888	1 601 106 032	
21/13	3 609 201 161	Needle bearing			
21/14	3 609 201 162	Needle bearing			
21/15	3 609 201 163	Ang. Contact Ball Bearing			
21/16	1 610 910 057	Needle bearing			
21/17	3 609 201 164	Connecting Rod			
21/18	3 609 201 165	Piston Pin			
21/19	3 609 201 166	Piston			
21/20	3 607 031 197	Nibbling Punch			
21/23	3 609 201 167	Die			
21/24	3 609 201 168	Cylindrical Gear			
21/27	3 609 201 169	Wedge			
21/28	2 916 660 018	Spring retaining ring			
21/29	2 916 650 903	Spring retaining ring			
21/30	3 609 201 170	Spindle With Gear			
21/31	2 910 141 170	Hex Socket Head Cap Screw			
21/32	2 916 690 005	Spring Lock Washer			
21/33	2 916 680 006	Spring Lock Washer			
21/34	2 916 011 011	Plain Washer			
21/35	2 917 500 119	Straight Pin			
21/38	3 609 201 171	Flange			
21/806	3 607 031 200	Parts Set			
22	2 610 063 817	Needle-Roller Bearing			
23	2 910 141 170	Hex Socket Head Cap Screw			
24	2 916 690 004	Spring Lock Washer			
60	2 603 490 024	Torx Oval-Head Screw			
60	2 603 490 023	Lens Head Screw			
101	2 605 108 051	Motor Housing			
102	2 604 010 657	Armature			
102/50	2 606 610 050	Fan			
103	2 600 101 023	Shim			
104	2 600 150 004	Shim			
105	1 900 905 018	Deep-Groove Ball Bearing			
106	2 604 220 443	Field			
107	2 603 435 015	Recessed-Head Screw			
108	2 602 319 005	Adjusting Slide			
109	2 602 026 015	Switch Handle			
110	2 601 328 045	Cover Disc			
111	2 601 323 022	Brush Holder			
114	1 604 652 013	Spiral Spring			
115	2 604 460 109	Power supply cord			
116	2 600 703 013	Grommet			
117	2 601 035 001	Cable Clip			