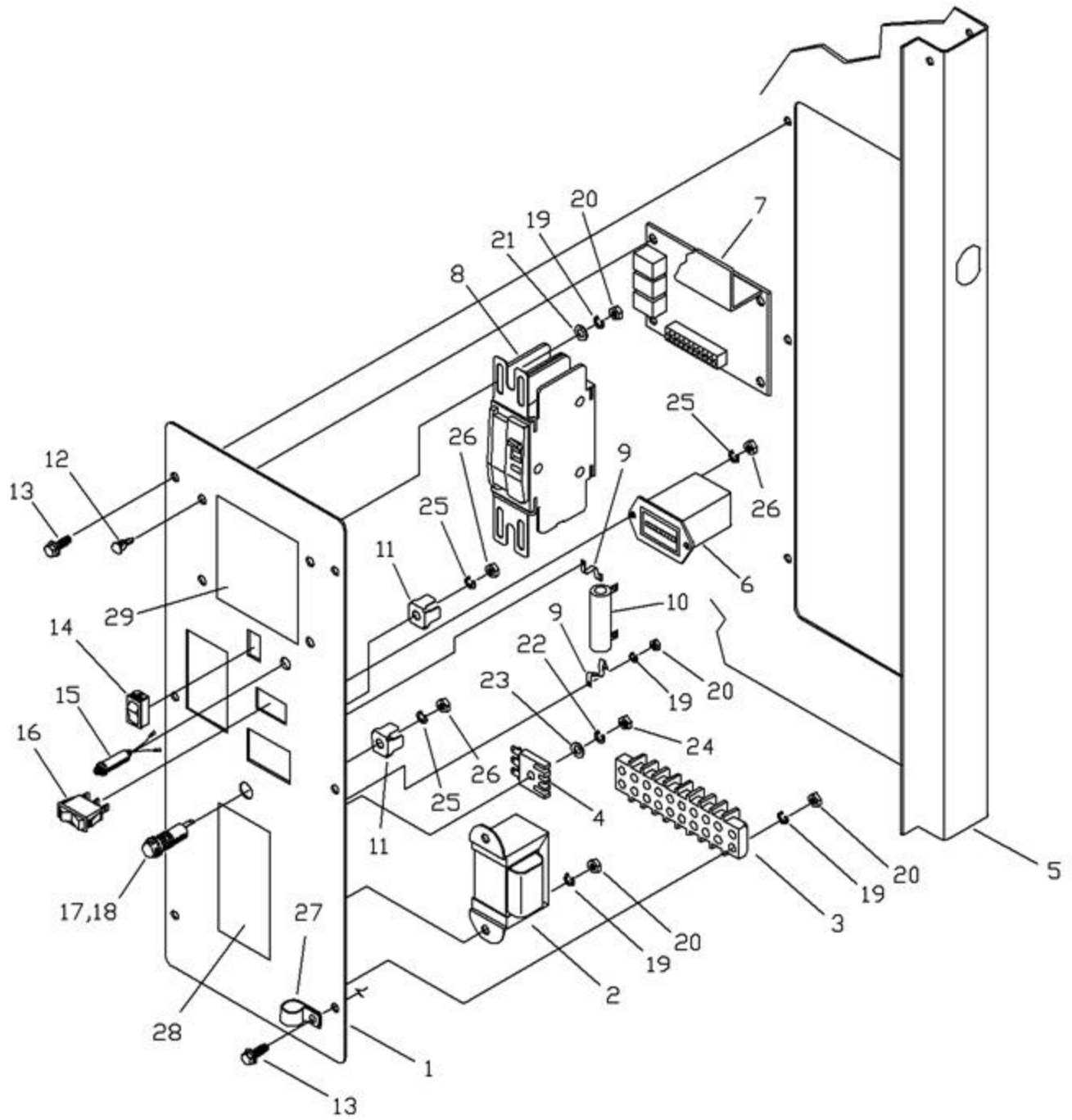
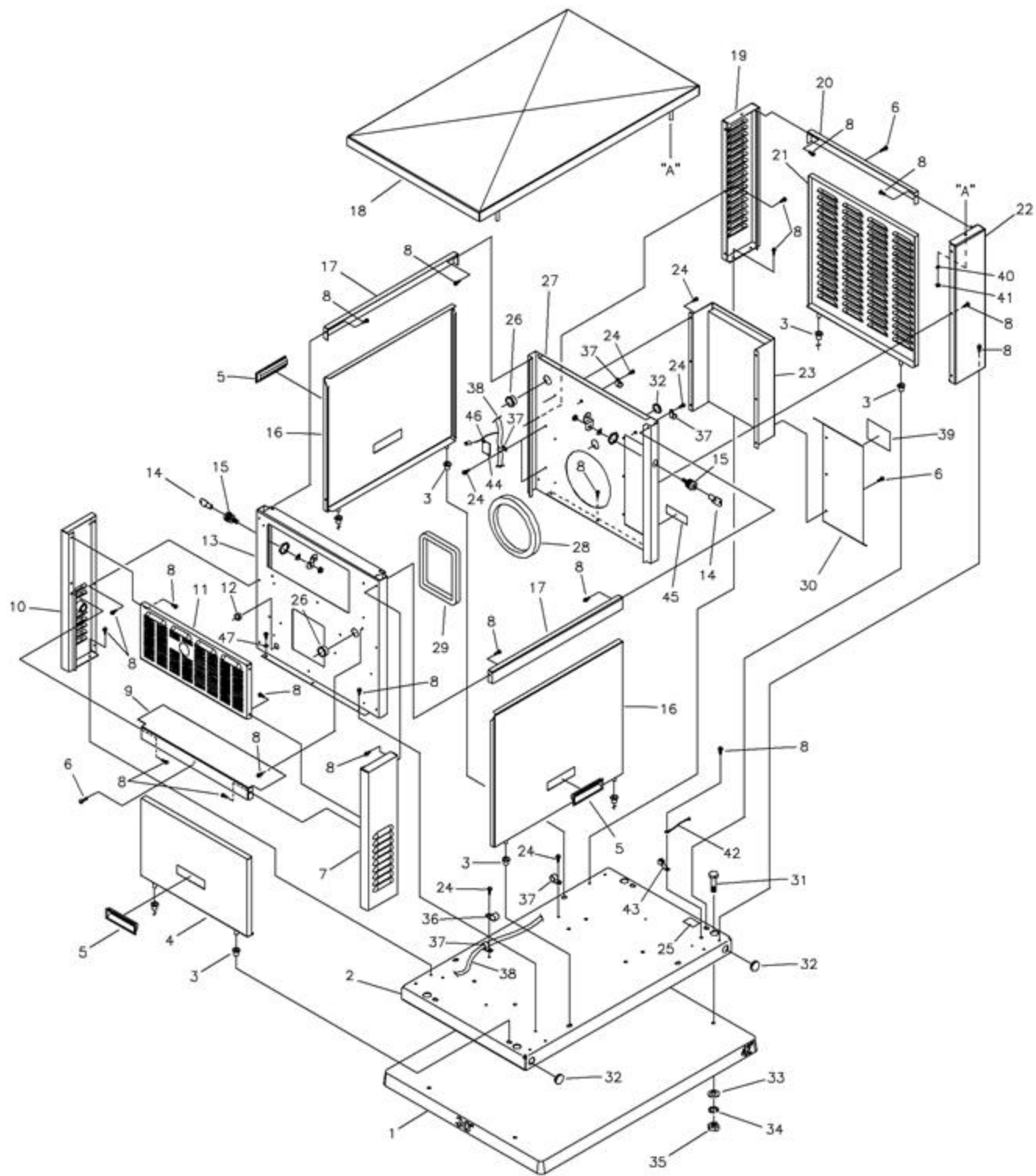


| <b>Ref #</b> | <b>Part #</b> | <b>Description</b>                | <b>Context Note</b> | <b>Foot Note</b> |
|--------------|---------------|-----------------------------------|---------------------|------------------|
| 1            | B4906         | SHIELD, Front                     |                     |                  |
| 2            | B4907         | GRID, Front                       |                     |                  |
| 3            | B4908         | BOLT, Shaft Stay                  |                     |                  |
| 4            | B4909         | STAY BOLT, M8 x 30                |                     |                  |
| 5            | B4910         | ASSEMBLY, Housing                 |                     |                  |
| 6            | B4911         | CAP                               |                     |                  |
| 7            | B4912         | COVER, Blind End                  |                     |                  |
| 8            | B4913         | COVER, Top Black                  |                     |                  |
| 9            | B4914         | CAPACITOR, 25m F 450V             |                     |                  |
| 10           | B4915         | BEARING, 62052RS C3               |                     |                  |
| 11           | B4916         | CAPACITOR, Diode + Varistor + EMC |                     |                  |
| 12           | B4917         | ROTOR,                            | (Includes Item 13)  |                  |
| 13           | B4918         | FAN                               |                     |                  |
| 14           | B4919         | SCREW, M6 - 1.0 x 10mm            |                     |                  |
| 15           | B4920         | SCREW, M5 - 0.8 x 10mm            |                     |                  |
| 16           | 49820         | LOCK NUT, M8 - 1.25               |                     |                  |

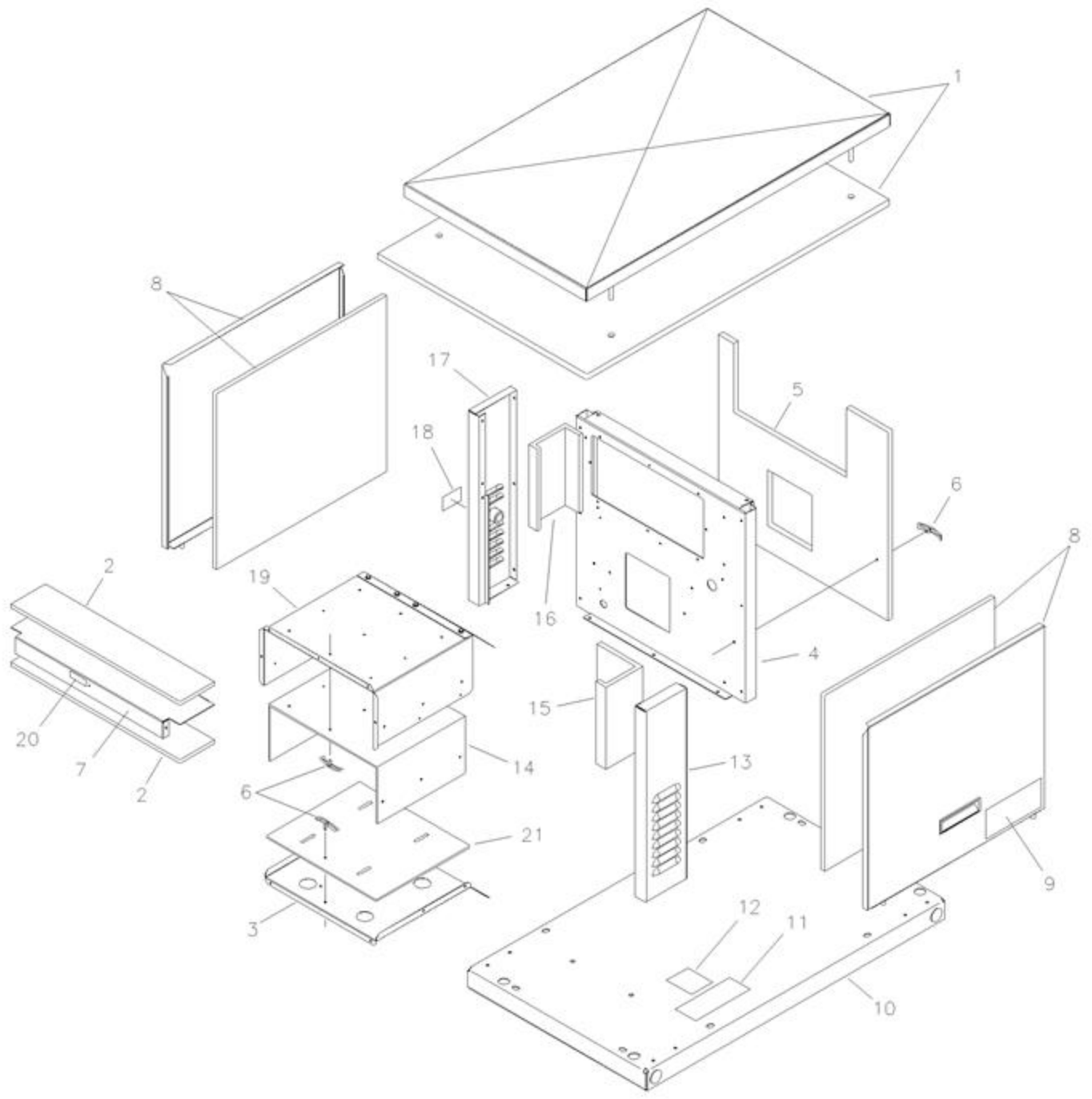


| <b>Ref #</b> | <b>Part #</b> | <b>Description</b>                     | <b>Context Note</b> | <b>Foot Note</b> |
|--------------|---------------|--|---------------------|------------------|
| 1            | 187225        | CONTROL PANEL, with Silk Screen        |                     |                  |
| 2            | B4776         | TRANSFORMER                            |                     |                  |
| 3            | B4799         | STRIP, Terminal                        |                     |                  |
| 4            | 65795         | RECTIFIER, Battery Charge              |                     |                  |
| 5            | H185967       | BULKHEAD, Engine Side                  |                     |                  |
| 6            | 77604         | HOUR METER                             |                     |                  |
| 7            | B5111         | CONTROL BOARD                          |                     |                  |
| 8            | 186280        | CIRCUIT BREAKER, 50 Amp, Model 1461    |                     |                  |
|              | 186280B       | CIRCUIT BREAKER, 40 Amp, Model 1535    |                     |                  |
| 9            | B4893         | BRACKET, Resistor                      |                     |                  |
| 10           | B4867         | RESISTOR, 25W, .5 OHM                  |                     |                  |
| 11           | 57345         | NEUTRAL, 4 Prong                       |                     |                  |
| 12           | 186413        | STANDOFF, Control Board                |                     |                  |
| 13           | B4300         | BOLT, Swage, 1/4-20                    |                     |                  |
| 14           | 87799         | SWITCH, Set Exercise                   |                     |                  |
| 15           | B5133         | DIODE, Light                           |                     |                  |
| 16           | 186443        | SWITCH, Auto/Off/Manual                |                     |                  |
| 17           | 32300         | HOLDER, Fuse                           |                     |                  |
| 18           | 22676         | FUSE, 15 Amp AGC                       |                     |                  |
| 19           | 22264         | LOCKWASHER, M4                         |                     |                  |
| 20           | 51715         | NUT, M4 - 0.7                          |                     |                  |
| 21           | 22985         | FLATWASHER, M4                         |                     |                  |
| 22           | 49226         | LOCKWASHER, M5                         |                     |                  |
| 23           | 23897         | FLATWASHER, M5                         |                     |                  |
| 24           | 51716         | NUT, M5 - 0.8                          |                     |                  |
| 25           | 43182         | LOCKWASHER, M3                         |                     |                  |
| 26           | 51714         | NUT, M3 - 0.5                          |                     |                  |
| 27           | 187060        | CLAMP, Cable 3/4" I.D.                 |                     |                  |
| 28           | 186645        | DECAL, Caution Electrical Shock        |                     |                  |
| 29           | 186648        | DECAL, Control Panel Fault Description |                     |                  |



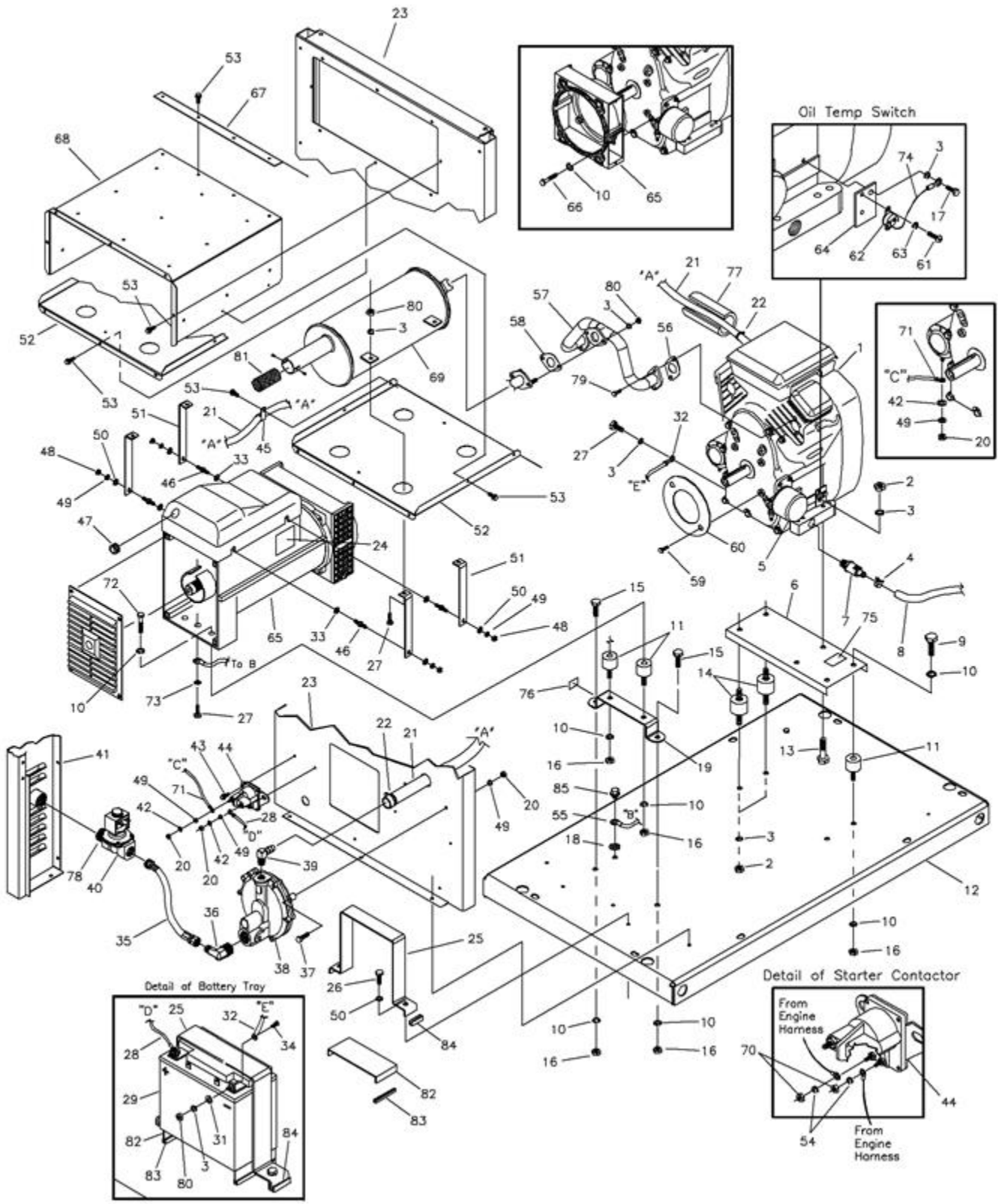
| <b>Ref #</b> | <b>Part #</b> | <b>Description</b>              | <b>Context Note</b> | <b>Foot Note</b> |
|--------------|---------------|---------------------------------|---------------------|------------------|
| 1            | 186564        | PAD, Fountation Base w/ Holes   |                     |                  |
| 2            | H185972       | BASE, Mounting                  |                     |                  |
| 3            | 186061        | BUSHING, Stem                   |                     |                  |
| 4            | H185971       | DOOR,Alternator Side            |                     |                  |
| 5            | 186049        | HANDLE, Door, Recessed Pull     |                     |                  |
| 6            | 186840        | PPHMS, M5.5, Stainless Steel    |                     |                  |
| 7            | H185962       | CORNER, Alt. Air Inlet Right    |                     |                  |
| 8            | B4300         | SWAG BOLT, 1/4" - 20            |                     |                  |
| 9            | H185968       | BAFFLE, Horizontal, Alt. Side   |                     |                  |
| 10           | H185961       | CORNER, Alt. Air Inlet, Left    |                     |                  |
| 11           | H185965       | PANEL, Muffler Air Out          |                     |                  |
| 12           | 186582        | BUSHING, Snap 11/16" I.D.       |                     |                  |
| 13           | H185966       | BULKHEAD, Alternator Side       |                     |                  |
| 14           | B5053         | KEY, Lock                       |                     |                  |
| 15           | 186172        | ASSEMBLY, Lock/Doors            |                     |                  |
| 16           | H187232       | DOOR, with Insulation           |                     |                  |
| 17           | H186046       | RAIL, Support Upper Front/Back  |                     |                  |
| 18           | H187234       | ROOF, with Insulation           |                     |                  |
| 19           | H185963       | CORNER, Engine Air Inlet Right  |                     |                  |
| 20           | H186047       | RAIL, Support Upper Engine Side |                     |                  |
| 21           | H185969       | DOOR, Engine Air Inlet          |                     |                  |
| 22           | H185964       | CORNER, Engine, Left Side       |                     |                  |
| 23           | H187235       | BAFFLE, with Insulation         |                     |                  |
| 24           | 74908         | TAPTITE, M5                     |                     |                  |
| 25           | B4986         | DECAL, Ground                   |                     |                  |
| 26           | 186173        | BUSHING, Snap, 1" I.D.          |                     |                  |
| 27           | H185967       | BULKHEAD, Engine Side           |                     |                  |
| 28           | 186065        | SEAL, Foam Engine Air Inlet     |                     |                  |
| 29           | B4889         | SEAL, Foam Alternator Air Inlet |                     |                  |
| 30           | H186760       | COVER, Control Panel            |                     |                  |
| 31           | 29745         | HHCS, 3/8" - 16 x 1"            |                     |                  |
| 32           | 185976        | PLUG, Hole 1-1/8"               |                     |                  |
| 33           | 22131         | FLATWASHER, 3/8"                |                     |                  |
| 34           | 22237         | LOCKWASHER, 3/8"                |                     |                  |
| 35           | 22241         | NUT, 3/8"                       |                     |                  |
| 36           | 187060        | CLAMP, 3/4" Nylon               |                     |                  |
| 37           | 186202        | CLAMP, 1" Nylon                 |                     |                  |
| 38           | 186277        | WIRE HARNESS, Engine            |                     |                  |
| 39           | B5082         | DECAL, Danger High Voltage      |                     |                  |
| 40           | 22097         | LOCKWASHER, M6                  |                     |                  |
| 41           | 49813         | NUT, M6 x 1.0                   |                     |                  |

| <b>Ref #</b> | <b>Part #</b> | <b>Description</b>                | <b>Context Note</b>  | <b>Foot Note</b> |
|--------------|---------------|-----------------------------------|----------------------|------------------|
| 42           | 186790A       | WIRE, Ground, To Control Panel    |                      |                  |
| 43           | 186345        | LUG, Ground                       |                      |                  |
| 44           | 186642        | DECAL, LP/Natural Gas             |                      |                  |
| 45           | 186827        | DECAL, Terminal Strip             |                      |                  |
| 46           | 28739A        | TIE WRAP, 4" Black                |                      |                  |
| 47           | 26850         | WASHER, Ext. M6 - 1/4" Shakeproof |                      |                  |
|              | 187008        | KIT, Door Seal                    | Part Not Illustrated |                  |





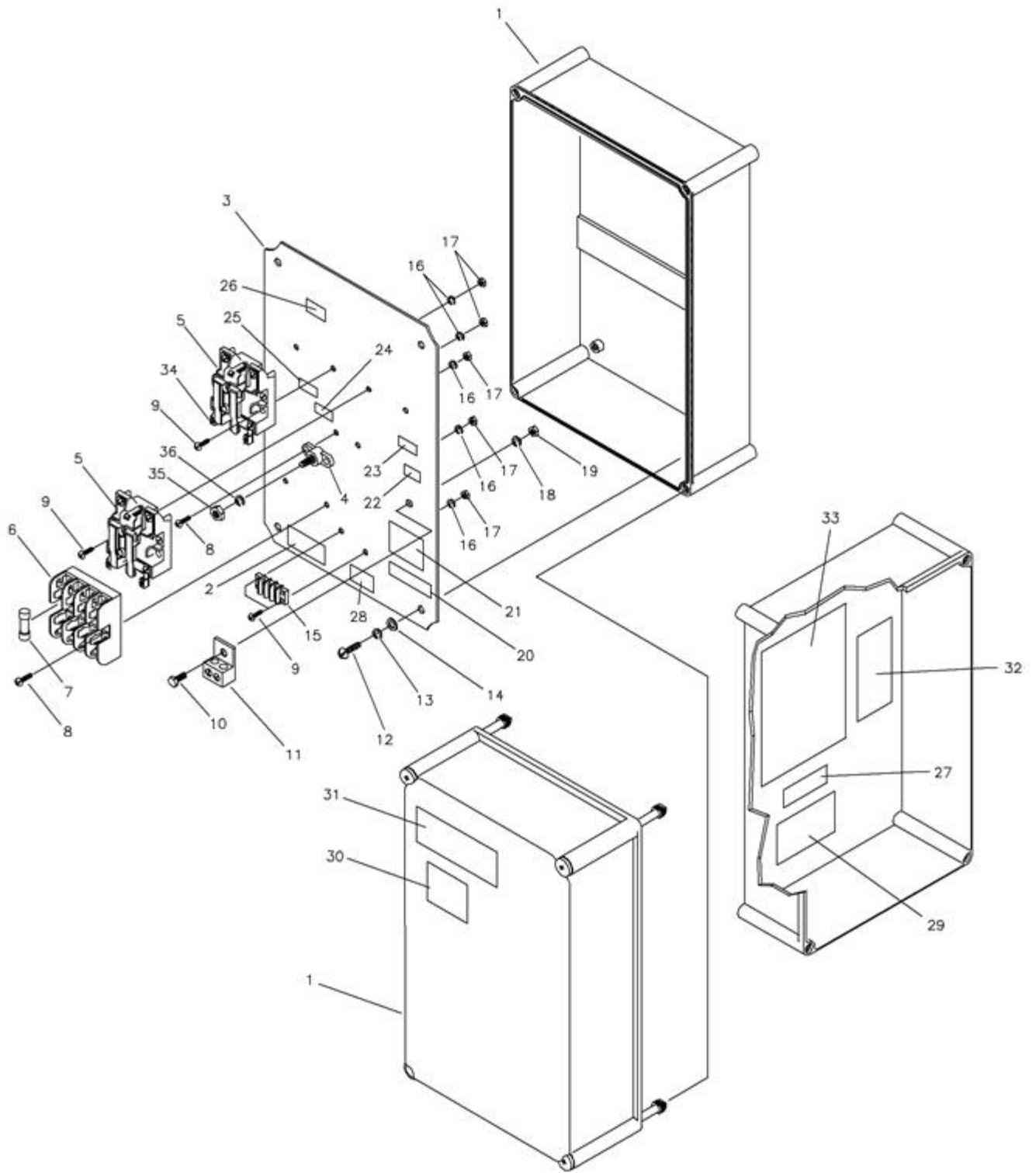
| <b>Ref #</b> | <b>Part #</b> | <b>Description</b>              | <b>Context Note</b> | <b>Foot Note</b> |
|--------------|---------------|---------------------------------|---------------------|------------------|
| 1            | H187234       | ROOF, with Insulation           |                     |                  |
| 2            | 186188        | INSULATION, Baffle Alt. Side    |                     |                  |
| 3            | H186030       | BASE, Muffler Box               |                     |                  |
| 4            | H185966       | BULKHEAD, Alternator Side       |                     |                  |
| 5            | 186186        | INSULATION, Bulk Head Alt. End  |                     |                  |
| 6            | B4772         | CLIPS, Dart                     |                     |                  |
| 7            | H185968       | BAFFLE, Horizontal, Alt. Side   |                     |                  |
| 8            | H187232       | DOOR, with Insulation           |                     |                  |
| 9            | 185553        | DECAL, Unit Beacon              |                     |                  |
| 10           | H185972       | BASE, Mounting                  |                     |                  |
| 11           | 186641        | DECAL, Operation Instructions   |                     |                  |
| 12           | 186646        | DECAL, Warning Engine Can Start |                     |                  |
| 13           | H185962       | CORNER, Alt. Air Inlet Right    |                     |                  |
| 14           | 186351        | INSULATION, Muffler Box         |                     |                  |
| 15           | 186189        | INSULATION, Corner, Right Side  |                     |                  |
| 16           | 186190        | INSULATION, Corner, Left Side   |                     |                  |
| 17           | H185961       | CORNER, Alt. Air Inlet, Left    |                     |                  |
| 18           | 186643        | DECAL, Fuel Inlet               |                     |                  |
| 19           | H186038       | BOX, Muffler                    |                     |                  |
| 20           | 77816         | DECAL, Hot Muffler              |                     |                  |
| 21           | 186352        | INSULATION, Muffler Base        |                     |                  |



| Ref # | Part #   | Description                       | Context Note Foot Note |
|-------|----------|-----------------------------------|------------------------|
| 1     | ~NSP     | ENGINE, B&S, 18 HP                |                        |
| 2     | 22259    | NUT, 5/16" - 18                   |                        |
| 3     | 22129    | LOCKWASHER, 5/16" - M8            |                        |
| 4     | 48031J   | CLIP, Hoseband                    |                        |
| 5     | 92134    | FILTER, Oil                       |                        |
| 6     | H186285  | PAN, Engine Mounting              |                        |
| 7     | 186071   | VALVE, Oil Drain                  |                        |
| 8     | 186430   | HOSE, Oil Drain                   |                        |
| 9     | 25017    | HHCS, 3/8" - 16 x 1/2"            |                        |
| 10    | 22237    | LOCKWASHER, 3/8"                  |                        |
| 11    | 38353    | MOUNTS, Vibration                 |                        |
| 12    | H185972  | BASE, Mount                       |                        |
| 13    | 22531    | HHCS, 5/16" - 18 x 1-3/4"         |                        |
| 14    | 92609    | MOUNTS, Vibration                 |                        |
| 15    | 29745    | HHCS, 3/8" - 16 x 1"              |                        |
| 16    | 22241    | NUT, 3/8" - 16                    |                        |
| 17    | 51754    | HHCS, M8 - 1.25 x 12              |                        |
| 18    | 187032   | WASHER, 3/8 Ext., Shakeproof      |                        |
| 19    | H185957  | SUPPORT, Alt.                     |                        |
| 20    | 22127    | NUT, 1/4" - 20                    |                        |
| 21    | 186152   | HOSE, Gas Regulator to Engine     |                        |
| 22    | 57822    | CLAMP, Hose                       |                        |
| 23    | H185966  | BULKHEAD, Alternator Side         |                        |
| 24    | 186647   | DECAL, Outdoor Use Only           |                        |
| 25    | H188446A | RETAINER, Battery Hold Down       |                        |
| 26    | 92079    | TAPTITE, M6 - 1.0 x 25            |                        |
| 27    | 42907    | HHCS, M8 1.25 x 16                |                        |
| 28    | 188574   | CABLE, Battery Positive           |                        |
| 29    | 188443   | BATTERY, 33AH                     |                        |
| 31    | 22145    | WASHER, Flat 5/16 - M8            |                        |
| 32    | 188573   | CABLE, Battery Negative           |                        |
| 33    | 186070   | WASHER, Fiber .26 x .62 x .06     |                        |
| 34    | 39253    | HHCS, M8 x 20                     |                        |
| 35    | 186148   | HOSE, Gas - regulator             |                        |
| 36    | 186151   | ELBOW, Brass, 3/4" NPT x 1/2" Gas |                        |
| 37    | 22413    | HHCS, 1/4" - 20 x 1"              |                        |
| 38    | B4774    | REGULATOR, Gas Fuel               |                        |
| 39    | 186150   | ELBOW, Brass 3/8 NPT              |                        |
| 40    | B4773    | SOLENOID, Gas Fuel                |                        |
| 41    | H185961  | CORNER, Alt. Air Inlet, Left      |                        |
| 42    | 26850    | WASHER, Ext. M6-1/4" Shakeproof   |                        |

| <b>Ref #</b> | <b>Part #</b> | <b>Description</b>              | <b>Context Note Foot Note</b> |
|--------------|---------------|---------------------------------|-------------------------------|
| 43           | B4300         | BOLT SWAG, 1/4 - 20             |                               |
| 44           | B4769         | CONTACTOR, Starter              |                               |
| 45           | 186375        | CLAMP, Hose                     |                               |
| 46           | 185955        | STUD, Muffler Mount             |                               |
| 47           | 187049        | PLUG, Dome                      |                               |
| 48           | 49813         | NUT, M6 - 1.0                   |                               |
| 49           | 22097         | LOCKWASHER, M6 - 1/4"           |                               |
| 50           | 22473         | FLAT WASHER, M6 - 1/4"          |                               |
| 51           | H186125       | BRACKET, Muffler                |                               |
| 52           | H186030       | BASE, Muffler Box               |                               |
| 53           | 56893         | CRIMPTITE, 10 - 24 x 1/2"       |                               |
| 54           | 22264         | LOCKWASHER, M4 #8               |                               |
| 55           | 186790B       | WIRE, Ground                    |                               |
| 56           | 67897         | MANIFOLD, Gasket                |                               |
| 57           | 185900        | MANIFOLD, Exhaust               |                               |
| 58           | 186062        | GASKET, Manifold, Muffler       |                               |
| 59           | 86307         | HHCS, 5/16" x 3/4" SEMS         |                               |
| 60           | B4260         | DISK, Air Blocker               |                               |
| 61           | 186242        | PPHMS, #4 - 40 x .019"          |                               |
| 62           | 186205        | SWITCH, Thermodisk Oil Temp.    |                               |
| 63           | 27772         | LOCKWASHER, #4 Int.Tooth        |                               |
| 64           | 186206        | PLATE, Oil Temp Switch          |                               |
| 65           | B4268         | ALTERNATOR, Sincro              |                               |
| 66           | 22511         | HHCS, 3/8 - 16 x 1-1/4"         |                               |
| 67           | H186320       | DEFLECTOR, 45° Muffler Box      |                               |
| 68           | H186038       | BOX, Muffler                    |                               |
| 69           | 185894        | MUFFLER, with Brackets          |                               |
| 70           | 22471         | NUT, #8-32                      |                               |
| 71           | 185939C       | CABLE, Starter                  |                               |
| 72           | 23152         | HHCS, 3/8" - 16 x 3/4"          |                               |
| 73           | 27482         | WASHER, 5/16" Ext. Shakeproof   |                               |
| 74           | 186790C       | WIRE, Ground                    |                               |
| 75           | 186649        | DECAL, Oil Drain                |                               |
| 76           | B4986         | DECAL, Ground, Green            |                               |
| 77           | 186551        | INSULATION, Fuel Hose           |                               |
| 78           | 26915         | NIPPLE, 3/4" NPT                |                               |
| 79           | 69397         | BOLT, Manifold                  |                               |
| 80           | 45771         | NUT, M8 - 1.25                  |                               |
| 81           | 187277        | SCREEN, Spark Arrester w/screws |                               |
| 82           | H188444       | TRAY, Battery Support           |                               |
| 83           | 188445A       | RUBBER STRIP, 85mm              |                               |

| <b>Ref #</b> | <b>Part #</b> | <b>Description</b> | <b>Context Note</b> | <b>Foot Note</b> |
|--------------|---------------|--------------------|---------------------|------------------|
| 84           | 188445B       | RUBBER STRIP, 32mm |                     |                  |
| 85           |               | UNKNOWN            |                     |                  |



| <b>Ref #</b> | <b>Part #</b> | <b>Description</b>           | <b>Context Note Foot Note</b> |
|--------------|---------------|------------------------------|-------------------------------|
| 1            | B4852         | BOX, Plastic                 |                               |
| 2            | B5079         | DECAL, Utility Load          |                               |
| 3            | B4852         | INSERT, Box                  |                               |
| 4            | 57073         | NEUTRAL BLOCK                |                               |
| 5            | 185890        | RELAY, 900 Series            |                               |
| 6            | B4858         | FUSE HOLDER, 30 Amp          |                               |
| 7            | B4857         | FUSE, 2 Amp, 600 Volt        |                               |
| 8            | 75475         | SCREW, M4 x 10               |                               |
| 9            | 75476         | SCREW, M4 x 16               |                               |
| 10           | 43116         | SCREW, M6 x 12               |                               |
| 11           | B4856         | CONNECTION LUG, Ground       |                               |
| 12           | 91526         | SCREW, M5 x 12               |                               |
| 13           | 49226         | LOCK WASHER, M5              |                               |
| 14           | 23897         | FLAT WASHER, #10             |                               |
| 15           | B5052         | TERMINAL STRIP               |                               |
| 16           | 22264         | LOCK WASHER, #8              |                               |
| 17           | 51715         | NUT, M4                      |                               |
| 18           | 22097         | LOCK WASHER, 1/4             |                               |
| 19           | 49813         | NUT, M6                      |                               |
| 20           | B5084         | DECAL, UL Type               |                               |
| 21           | B5083         | DECAL, UL Listed             |                               |
| 22           | B4986         | DECAL, Ground                |                               |
| 23           | B5107         | DECAL, Generator Connection  |                               |
| 24           | B5081         | DECAL, Neutral               |                               |
| 25           | B5106         | DECAL, Utility Connection    |                               |
| 26           | B5105         | DECAL, Load Connection       |                               |
| 27           | B5087         | DECAL, Intended Use          |                               |
| 28           | B5080         | DECAL, Terminal Strip        |                               |
| 29           | 186021        | DECAL, Identification        |                               |
| 30           | B5086         | DECAL, Warning, Live Circuit |                               |
| 31           | B5082         | DECAL, Danger High Voltage   |                               |
| 32           | B5085         | DECAL, Warning Shock         |                               |
| 33           | B5088         | DECAL, Auto Sequence         |                               |
| 34           | B4854         | TERMINAL, 14-6 Awg           |                               |
| 35           | 22241         | NUT, 3/8"-16                 |                               |
| 36           | 22237         | LOCK WASHER, 3/8"            |                               |