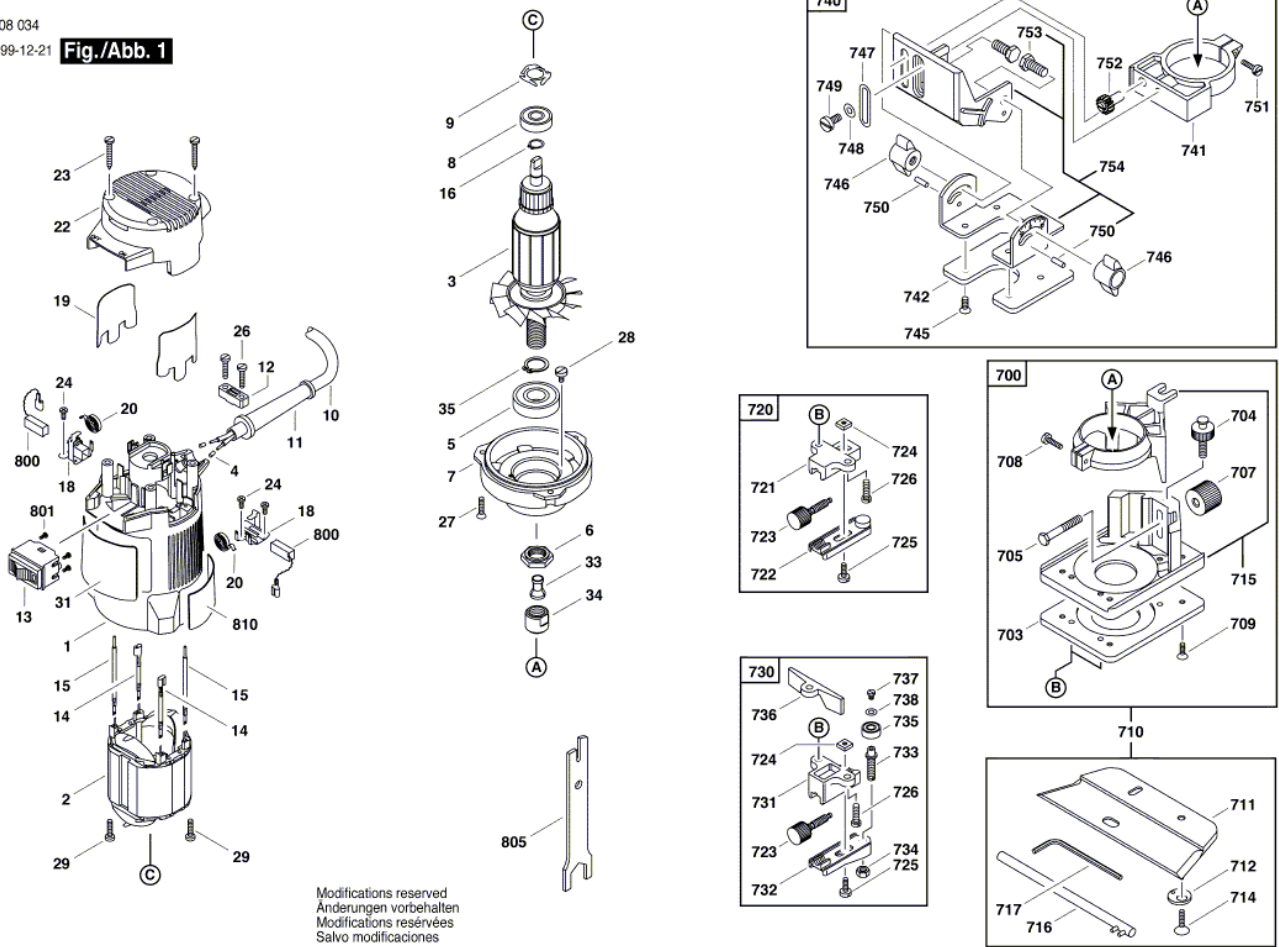




0 601 608 034
Issue | 99-12-21
Stand |

Fig./Abb. 1



Modifications reserved
Änderungen vorbehalten
Modifications réservées
Salvo modificaciones



Pos.	Part Number	Description	Pos.	Part Number	Description
1	3 605 108 573	Motor Housing	740	3 605 702 613	Base Plate
2	1 604 220 196	Field	741	3 605 702 547	Clamp ring
3	3 604 011 579	Armature	742	3 600 190 514	Base Plate
4	1 900 452 012	End Splice	745	3 603 415 562	Screw
5	2 610 908 032	Deep-Groove Ball Bearing	746	1 603 339 006	Wing Nut
6	3 603 311 521	Hex Nut	747	3 600 100 523	Washer
7	3 605 702 573	Bearing Housing	748	3 600 100 520	Spring Washer
8	1 900 905 018	Deep-Groove Ball Bearing	749	2 910 091 152	Pan head screw
9	3 600 150 501	Spring Lock Washer	750	3 603 106 510	Bolt
10	3 604 460 555	Power supply cord	751	2 910 021 126	Socket head cap screw
11	2 600 703 013	Grommet	752	3 606 100 504	Screw
12	2 601 035 001	Cable Clip	753	2 911 051 197	Hex Screw
13	3 607 200 511	On-Off Switch	754	3 607 000 514	Base
14	3 604 441 501	Connecting Cable	800	1 607 014 116	Carbon-Brush Set
15	3 604 441 509	Connecting Cable	801	2 603 410 023	Socket head cap screw
16	2 916 640 004	Spring retaining ring	805	9 601 497 907	Single-Head Eng. Wrench
18	2 601 323 021	Brush Holder	810	3 601 119 595	Nameplate
19	3 601 033 503	Insulator			
20	1 604 652 013	Spiral Spring			
22	3 605 500 580	Housing Cover			
23	2 910 211 214	Tapping Screw			
24	2 910 611 404	Tapping Screw			
26	2 910 211 019	Tapping Screw			
27	2 910 601 412	Tapping Screw			
28	2 914 461 044	Countersunk-Head Screw			
29	2 603 490 017	Torx Oval-Head Screw			
31	2 610 906 891	Nameplate			
33	2 608 570 064	Collet			
34	2 603 312 001	Union Nut			
35	2 916 650 003	Spring retaining ring			
700	3 605 702 619	Base Plate			
703	3 601 039 503	Cover Plate			
704	3 603 481 516	Screw			
705	2 911 001 166	Hex Screw			
707	3 603 345 508	Knurled Button			
708	2 910 021 122	Socket head cap screw			
709	3 603 415 562	Screw			
710	3 605 702 625	Milling Fixture			
711	3 601 032 522	Plate			
712	3 600 132 505	Screw			
714	3 603 415 565	Screw			
715	3 607 000 615	Parts Set			
717	1 907 950 004	Offset Screwdriver			
720	3 607 000 506	Parallel-Guide			
721	3 602 380 500	Support			
723	3 603 481 512	Knurled Button			
724	2 915 121 004	Square Nut			
725	2 910 091 120	Pan head screw			
726	2 910 021 126	Socket head cap screw			
730	3 607 000 555	Parallel-Guide			
731	3 602 380 501	Support			
732	3 602 386 504	Guide Piece			
733	3 603 481 514	Knurled Thumbscrew			
734	2 915 011 006	Hex Nut			
735	2 610 906 500	Deep-Groove Ball Bearing			
736	3 602 305 502	Pad			
737	2 910 091 046	Pan head screw			
738	2 916 014 006	Plain Washer			