

Cordl Reciprocating Saw - 0 601 644 364 - 1646

www.powertools-aftersaleservice.com

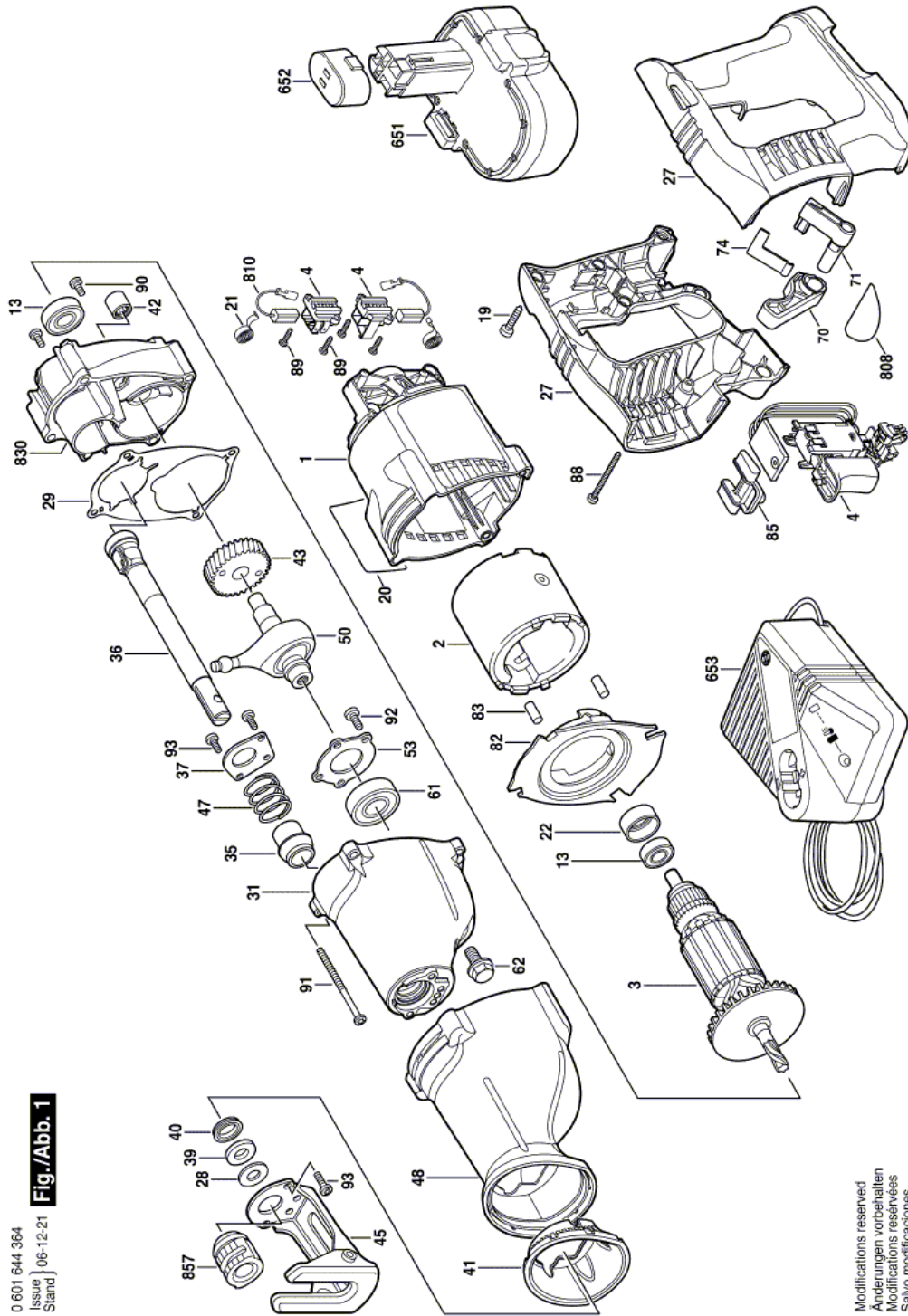


BOSCH

Item	Part Number	Description	Illustration	Price	Quantity	Price Group
1	2 610 934 987	Motor Housing	1	-,-	1	27
2	1 615 100 009	Pole housing 14,4-24V	1	-,-	1	29
3	1 619 P01 903	Armature	1	-,-	1	39
4	2 610 943 193	Switch Assembly	1	-,-	1	31
13	1 619 P01 511	Ball Bearing	1	-,-	2	19
19	2 610 315 386	Screw ST3,9x19	1	-,-	5	11
20	2 610 934 989	Warning Label	1	-,-	1	13
21	2 610 907 388	Spiral Spring	1	-,-	2	14
22	1 619 P01 127	Rubber Ring	1	-,-	1	10
27	2 610 934 994	Set Of Handles	1	-,-	1	28
28	2 610 908 804	Protective Washer	1	-,-	1	13
29	2 610 934 995	Gasket	1	-,-	1	15
31	2 610 935 103	Front Housing	1	-,-	1	31
35	2 610 934 999	Sintered-Metal Bushing	1	-,-	1	17
36	2 610 944 393	Spindle Assembly	1	-,-	1	36
37	2 610 935 431	Spring Retaining Plate	1	-,-	1	12
39	2 610 030 004	Felt Washer SP 14,0	1	-,-	1	12
40	2 610 995 815	Shaft Seal	1	-,-	1	22
41	2 610 935 004	Plastic Collar	1	-,-	1	13
42	2 610 908 698	Bearing Shell	1	-,-	1	20
43	2 610 908 802	Toothed Gear	1	-,-	1	27
45	2 610 935 005	Supporting foot	1	-,-	1	21
47	2 610 937 437	Compression Spring	1	-,-	1	11
48	2 610 935 008	Insulating Sleeve	1	-,-	1	34
50	2 610 935 009	Wobble Plate	1	-,-	1	41
53	2 610 935 010	Retaining Plate	1	-,-	1	12
61	1 900 905 162	Deep-Groove Ball Bearing 15x32x9	1	-,-	1	28
62	2 610 918 051	Trunnion	1	-,-	1	11
70	2 610 935 011	Hook	1	-,-	1	14
71	2 610 935 012	Bearing Piece	1	-,-	1	12
74	2 610 935 013	Leaf Spring	1	-,-	1	10
82	2 610 935 014	Baffle	1	-,-	1	19
85	2 610 935 015	Locking Slide	1	-,-	1	13

Item	Part Number	Description	Illustration	Price	Quantity	Price Group
88	1 619 P01 446	Screw	1	-,-	3	10
89	1 619 P06 252	Torx Oval-Head Screw	1	-,-	4	10
90	2 610 907 504	Screw	1	-,-	1	12
91	1 619 P01 932	Screw BLACK	1	-,-	4	10
92	1 619 P01 447	Screw	1	-,-	4	10
93	1 619 P01 931	Screw BLACK	1	-,-	7	10
651	2 607 335 717	Accumulator Battery 18V,2,4Ah, HD	1	-,-	1	52
652	2 609 100 101	Protective Cap	1	-,-	1	16
653	2 607 225 033	Fast Charger USA 120/7,2-24V, 30 MIN.	1	-,-	1	46
808	2 610 941 470	Nameplate	1	-,-	1	13
810	2 610 943 623	Carbon-Brush Set	1	-,-	1	24
830	2 610 944 922	Bearing Plate	1	-,-	1	31
857	2 610 920 684	Toolholder	1	-,-	1	34
883	3 602 391 503	Rubber-Inter Calation	N/A	-,-	2	11

Illustration - Type E



0 601 644 364
Issue | 06-12-21
Stand | **Fig./Abb. 1**

Modifications reserved
Änderungen vorbehalten
Modifications réservées
Salvo modificaciones

Information subject to change without further notice.