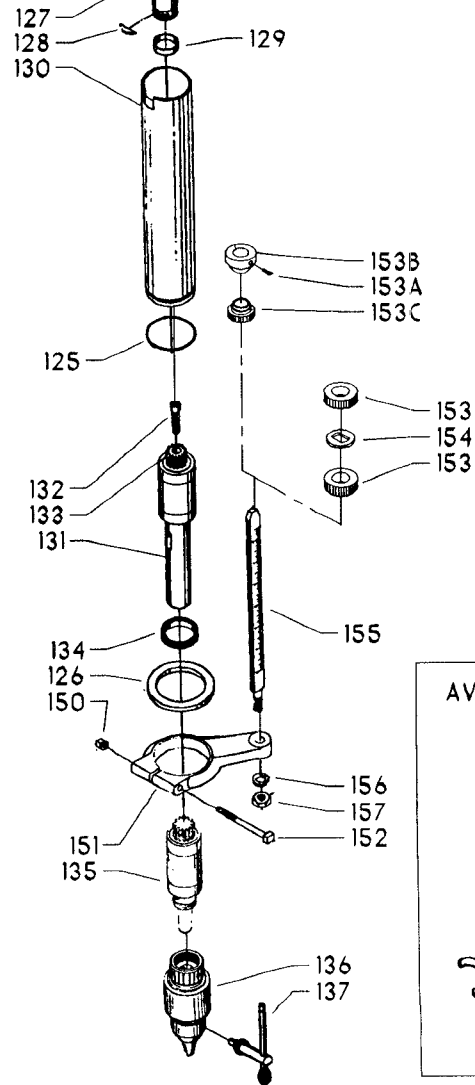
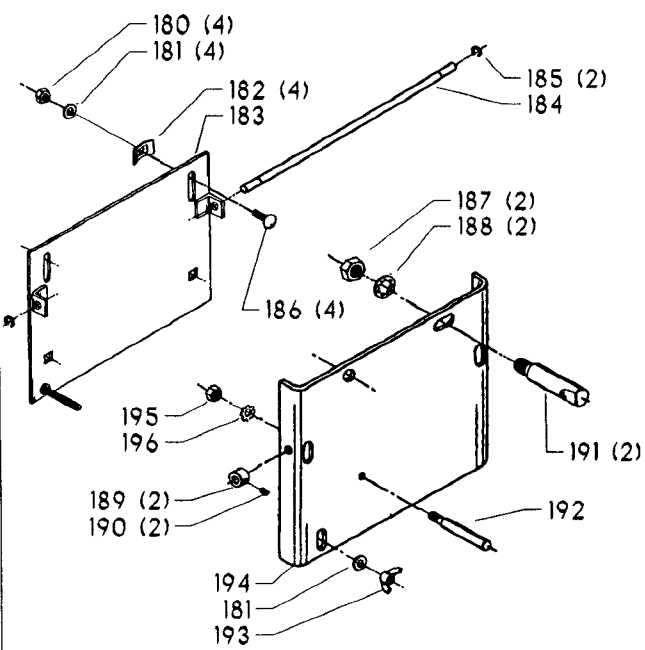
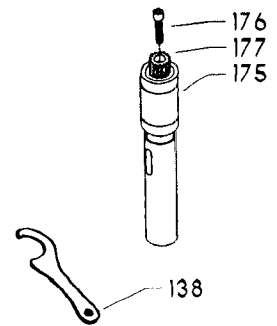


EARLY MODELS ONLY



AVAILABLE AS AN ACCESSORY



Parts List for 17-457 Type 2

| Item Number | Part Number | Description | Qty Required |
|-------------|---------------|---------------------|--------------|
| 1 | 000000-00 | No Longer Available | 1 |
| 1 | 402007520001 | WARNING LABEL | 1 |
| 2 | 000000-00 | No Longer Available | 2 |
| 3 | 901021207504S | MACHINE SCREW | 1 |
| 4 | 901064502250S | DRIVE SCREW | 2 |
| 5 | 402051370001 | NAMEPLATE | 1 |
| 6 | 000000-00 | No Longer Available | 2 |
| 7 | 902012101079 | LOCK NUT | 4 |
| 8 | 489026-00 | HEX NUT | 4 |
| 9 | 904010101614S | STEEL WASHER | 4 |
| 10 | 000000-00 | No Longer Available | 2 |
| 11 | 901010600626S | CAP SCREW | 2 |
| 12 | 902010101300S | HEX NUT | 2 |
| 13 | 904010101620S | WASHER | 2 |
| 14 | 401043145010 | REAR BRACKET | 1 |
| 15 | 402070545001 | LOWER GUARD | 1 |
| 16 | 901020100506 | MACHINE SCREW | 2 |
| 17 | 401040145007 | FRONT BRACKET | 1 |
| 18 | 901010600605 | CAP SCREW | 1 |
| 20 | 000000-00 | No Longer Available | 1 |
| 21 | 000000-00 | No Longer Available | 1 |
| 21 | 49-051 | V BELT-REPLACES 501 | 1 |
| 22 | 000000-00 | No Longer Available | 1 |
| 23 | 901041500206 | SET SCREW | 1 |
| 24 | 41-825 | HS PULY-7/8B-5ST | 1 |
| 25 | 901041500206 | SET SCREW | 1 |
| 26 | 904150131024 | RET RING | 2 |

Parts List for 17-457 Type 2

| Item Number | Part Number | Description | Qty Required |
|-------------|---------------|---------------------|--------------|
| 27 | 000000-00 | No Longer Available | 1 |
| 28 | 1200037 | MOTOR PLATE ASSY | 1 |
| 28 | 1200040 | MOTOR PLATE ASSY | 1 |
| 29 | 901110200834S | CARRIAGE BOLT | 4 |
| 30 | 902030002951 | SPEED NUT | 4 |
| 31 | 902010205435S | JAM NUT | 1 |
| 32 | 1200035 | MOTOR PLATE ASSY | 1 |
| 33 | 902040101403 | WING NUT | 1 |
| 34 | 901010600649S | CAP SCREW | 2 |
| 35 | 902030002951 | SPEED NUT | 2 |
| 36 | 904010101620S | WASHER | 4 |
| 37 | 904010101620S | WASHER | 1 |
| 38 | 902010101300S | HEX NUT | 4 |
| 40 | 402073575022 | HEAD ASSY | 1 |
| 41 | 402070205005 | CAP | 1 |
| 42 | 000000-00 | No Longer Available | 1 |
| 43 | 901010603114 | CAP SCREW | 1 |
| 44 | 000000-00 | No Longer Available | 2 |
| 45 | 901041900207S | SET SCREW | 1 |
| 46 | 000000-00 | No Longer Available | 1 |
| 47 | 904070105575 | WASHER | 1 |
| 48 | 000000-00 | No Longer Available | 1 |
| 49 | 402070515002 | COMPOUND GEAR | 1 |
| 50 | 000000-00 | No Longer Available | 1 |
| 51 | 901041500206 | SET SCREW | 1 |
| 52 | 901202416107 | HEX HD SCR | 3 |
| 53 | 000000-00 | No Longer Available | 1 |

Parts List for 17-457 Type 2

| Item Number | Part Number | Description | Qty Required |
|-------------|---------------|---------------------|--------------|
| 54 | 000000-00 | No Longer Available | 1 |
| 55 | 920040215116 | BEARING | 1 |
| 56 | 926010516349 | PULLEY | 1 |
| 57 | 920040205360 | BEARING | 1 |
| 58 | 000000-00 | No Longer Available | 1 |
| 58 | 402071065005 | SPINDLE | 1 |
| 59 | 927010102600 | WOODRUFF KEY | 1 |
| 60 | 928060107352 | SPRING WASHER | 1 |
| 61 | 927030102661 | KEY | 1 |
| 62 | 952011213274 | SPRING PIN | 1 |
| 63 | 402071065026 | PINION SHAFT | 1 |
| 63 | 402074065018 | PINION ASSY | 1 |
| 64 | 000000-00 | No Longer Available | 1 |
| 65 | 905010106745 | ROLL PIN | 1 |
| 66 | 000000-00 | No Longer Available | 1 |
| 67 | 1641138 | KNOB | 3 |
| 67 | 1641138 | KNOB | 3 |
| 68 | 902012009706 | HEX NUT | 1 |
| 69 | 901030131026S | CAP SCREW | 1 |
| 70 | 961010107473 | PLUG | 1 |
| 71 | 905010106715S | ROLL PIN | 1 |
| 72 | 000000-00 | No Longer Available | 1 |
| 73 | 901030408015S | CAP SCREW | 1 |
| 74 | 928080121766 | RETURN SPRING | 1 |
| 75 | 000000-00 | No Longer Available | 1 |
| 75 | 402073885002 | STOP ASSY | 1 |
| 76 | 904010101622 | STEEL WASHER | 1 |

Parts List for 17-457 Type 2

| Item Number | Part Number | Description | Qty Required |
|-------------|---------------|----------------------|--------------|
| 77 | 902010201226S | NUT | 1 |
| 102 | 901041500205 | SET SCREW | 1 |
| 103 | 402054065008 | WORM SHAFT | 1 |
| 104 | 000000-00 | No Longer Available | 1 |
| 105 | 930059914787 | BALL CRANK | 1 |
| 106 | 901041500206 | SET SCREW | 1 |
| 107 | 901020100912 | MACHINE SCREW | 1 |
| 108 | 960030102413 | LUBE PLATE | 1 |
| 109 | 901010600633 | CAP SCREW | 1 |
| 110 | 902010105437 | HEX NUT | 1 |
| 111 | 000000-00 | No Longer Available | 1 |
| 112 | 901061203019 | SCREW | 1 |
| 113 | 000000-00 | No Longer Available | 1 |
| 114 | 489026-00 | HEX NUT | 1 |
| 115 | 000000-00 | No Longer Available | 1 |
| 116 | 902011209232 | HEX NUT | 2 |
| 117 | 904030301788 | LOCKWASHER | 2 |
| 118 | 402071115002S | STUD | 2 |
| 119 | 402071045007S | SPACER | 2 |
| 120 | 1340100 | SWITCH COVER ASSY | 1 |
| 121 | 901020100567S | MACHINE SCREW | 2 |
| 122 | 402040310001S | SWITCH OPENING COVER | 1 |
| 123 | 901061203019 | SCREW | 2 |
| 125 | 904150214138 | GARTER SPRING | 1 |
| 126 | 904070612942 | CUSHION RING | 1 |
| 127 | 402051055004 | DRIVE SLEEVE | 1 |
| 128 | 927012013720 | SEGMENT KEY | 1 |

Parts List for 17-457 Type 2

| Item Number | Part Number | Description | Qty Required |
|-------------|---------------|---------------------|--------------|
| 129 | 904150214139 | GARTER SPRING | 1 |
| 130 | 000000-00 | No Longer Available | 1 |
| 130 | 000000-00 | No Longer Available | 1 |
| 130 | 402073775001 | QUILL ASSEMBLY | 1 |
| 131 | 000000-00 | No Longer Available | 1 |
| 131 | 5140030-88 | SPINDLE | 1 |
| 132 | 901030100750 | CAP SCREW | 1 |
| 133 | 000000-00 | No Longer Available | 1 |
| 134 | 902070207176S | BEARING CLOSURE NUT | 1 |
| 135 | 17-882 | 17880 W/JACOB MT | 1 |
| 136 | 5140043-11 | 0-1/2 IN 3JAW CHUK | 1 |
| 137 | 65-104 | KEY | 1 |
| 138 | 15-838S | SPANNER WRENCH | 1 |
| 150 | 489026-00 | HEX NUT | 1 |
| 151 | 000000-00 | No Longer Available | 1 |
| 152 | 000000-00 | No Longer Available | 1 |
| 153 | 402120685001 | KNURLED NUT | 1 |
| 153 | 901042601534 | THUMB SCREW | 1 |
| 153 | 402040885005 | MICRO STOP | 1 |
| 153 | 402040885005 | MICRO STOP | 1 |
| 153 | 402040885005 | MICRO STOP | 1 |
| 154 | 904011031317 | SPEC WASHER | 1 |
| 155 | 402073885002 | STOP ASSY | 1 |
| 155 | 402041085007 | STOP ROD | 1 |
| 156 | 904020201704S | LOCK WASHER | 1 |
| 157 | 489191-00 | HEX NUT | 1 |
| 175 | 000000-00 | No Longer Available | 1 |

Parts List for 17-457 Type 2

| Item Number | Part Number | Description | Qty Required |
|-------------|---------------|---------------------|--------------|
| 176 | 901030100750 | CAP SCREW | 1 |
| 177 | 000000-00 | No Longer Available | 1 |
| 180 | 902010101300S | HEX NUT | 4 |
| 181 | 904010101620S | WASHER | 4 |
| 182 | 902030002951 | SPEED NUT | 4 |
| 183 | 1200037 | MOTOR PLATE ASSY | 1 |
| 184 | 000000-00 | No Longer Available | 1 |
| 185 | 904150117105 | RING | 2 |
| 186 | 901110200834S | CARRIAGE BOLT | 4 |
| 187 | 902010201226S | NUT | 2 |
| 188 | 904030201674 | LOCKWASHER | 2 |
| 189 | 426033880001 | SET COLLAR ASSY | 2 |
| 190 | 491950-00 | SET SCREW | 2 |
| 191 | 402070715003 | PIN | 1 |
| 192 | 402070715001 | PIN | 1 |
| 193 | 902040101403 | WING NUT | 1 |
| 194 | 1200035 | MOTOR PLATE ASSY | 1 |
| 195 | 902010101207 | HEX NUT | 1 |
| 196 | 000000-00 | No Longer Available | 1 |
| 200 | 000000-00 | No Longer Available | 1 |
| 200 | 000000-00 | No Longer Available | 1 |
| 201 | 901010600612S | CAP SCREW | 1 |
| 202 | 489026-00 | HEX NUT | 1 |
| 203 | 901041500206 | SET SCREW | 1 |
| 204 | 901010600643 | CAP SCREW | 1 |
| 205 | 901010600637 | CAP SCREW | 1 |
| 206 | 000000-00 | No Longer Available | 2 |

Parts List for 17-457 Type 2

| Item Number | Part Number | Description | Qty Required |
|-------------|---------------|---------------------|--------------|
| 207 | 901041900207S | SET SCREW | 1 |
| 208 | 402070205003 | CAP | 1 |
| 209 | 904070105575 | WASHER | 1 |
| 210 | 000000-00 | No Longer Available | 1 |
| 211 | 402070515002 | COMPOUND GEAR | 1 |
| 212 | 402073145001 | TABLE BRACKET | 1 |
| 212 | 402070145006 | BRACKET | 1 |
| 213 | 901041500205 | SET SCREW | 1 |
| 214 | 902010205438 | HEX JAM NUT | 1 |
| 215 | 904100313893 | WASHER | 1 |
| 216 | 402053275002 | CLAMP HANDLE | 1 |
| 217 | 1641138 | KNOB | 1 |
| 217 | 1641138 | KNOB | 1 |
| 218 | 402054065008 | WORM SHAFT | 1 |
| 219 | 000000-00 | No Longer Available | 1 |
| 220 | 930059914787 | BALL CRANK | 1 |
| 221 | 901041500206 | SET SCREW | 1 |
| 225 | 901010600630 | CAP SCREW | 1 |
| 226 | 402051055002 | SLEEVE | 1 |
| 227 | 904010131826 | WASHER | 1 |
| 228 | 904020201707 | LOCK WASHER | 1 |
| 229 | 000000-00 | No Longer Available | 1 |
| 230 | 000000-00 | No Longer Available | 1 |
| 232 | 000000-00 | No Longer Available | 1 |
| 233 | 000000-00 | No Longer Available | 1 |
| 234 | 000000-00 | No Longer Available | 1 |
| 235 | 000000-00 | No Longer Available | 1 |

Parts List for 17-457 Type 2

| Item Number | Part Number | Description | Qty Required |
|-------------|---------------|---------------------|--------------|
| 236 | 904100312097S | SPECIAL WASHER | 1 |
| 237 | 000000-00 | No Longer Available | 1 |
| 238 | 402070055002 | BASE | 1 |
| 239 | 402070275001 | U-BOLT | 1 |
| 240 | 904010101618S | STEEL WASHER | 2 |
| 241 | 902010101282S | HEX JAM NUT | 2 |