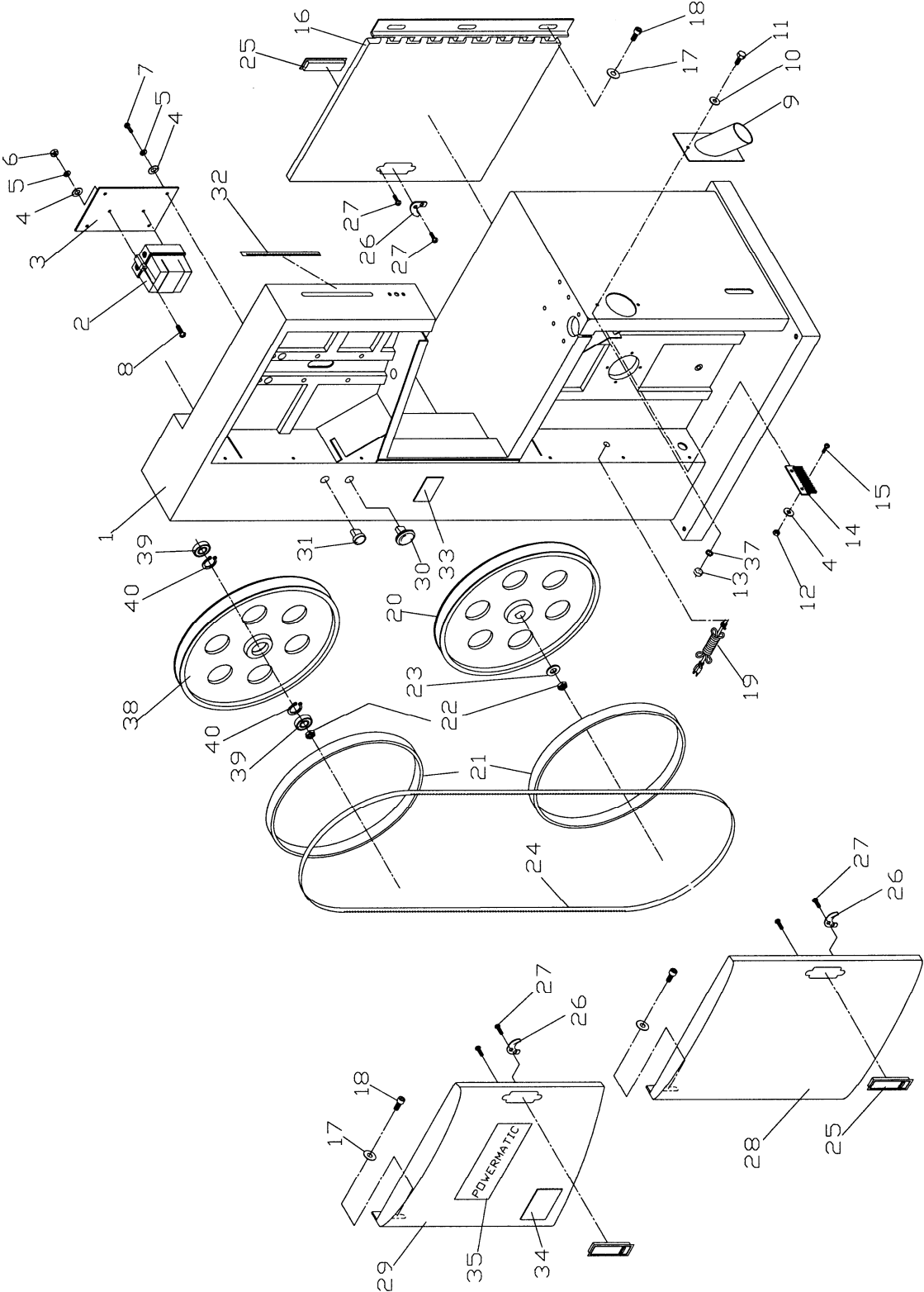


## Parts List: Saw Body Assembly (2415 Band Saw)

Index No.	Part No.	Description	Size	Qty
1	2415-101	Body		1
2	2415-102N	Magnetic Switch	1Ph, 230V	1
	2415-102CSN	Contactor Switch for 1 Phase (not shown)		1
	2415-102ORN	Overload Relay for 1 Phase (not shown)		1
	2415-102AN	Magnetic Switch	3Ph, 230V	1
	2415-102ACSN	Contactor Switch for 230V 3 Phase (not shown)		1
	2415-102AORN	Overload Relay for 230V 3 Phase (not shown)		1
	2415-102B	Magnetic Switch	3Ph, 460V	1
	2415-102BCS	Contactor Switch for 460V 3 Phase (not shown)		1
	2415-102BOR	Overload Relay for 460V 3 Phase (not shown)		1
3	2013-103A	Switch Plate		1
4	TS-069204	Flat Washer	#10	8
5	TS-0720051	Lock Washer	#10	6
6	TS-0560071	Hex Nut	#10-24	2
7	TS-081C022	Phillips Pan Head Machine Screw	#10-24x3/8"	4
8	TS-081C052	Phillips Pan Head Machine Screw	#10-24x3/4"	2
9	6295121	Dust Chute		1
10	TS-0680031	Flat Washer	5/16"	2
11	TS-0051051	Hex Cap Screw	5/16"-18x1"	2
12	TS-0560071	Hex Nut	#10-24	2
13	TS-0561021	Hex Nut	5/16"-18	2
14	6295126	Brush		1
15	TS-081C082	Phillips Pan Head Machine Screw	#10-24x1-1/2"	2
16	6294804	Lower Back Door		1
17	TS-0680021	Flat Washer	1/4"	9
18	TS-1503031	Socket Head Cap Screw	M6-1.0Px12	9
19	6295131	Power Cord	1Ph	1
	6294805	Power Cord	3Ph	1
20	6294806	Lower Blade Wheel		2
21	6294807	Tire		2
22	6295134	Hex Nut	3/4"-16(L.H)	2
23	TS-0680091	Flat Washer	3/4"	2
24	6295061	Blade	1"x.026x3 hook	1
25	6295137	Door Latch		3
26	6295138	Door Catch		3
27	6295139	Phillips Pan Head Machine Screw	M4x4	9
28	2415-128	Lower Front Door		1
29	2415-129	Upper Front Door		1
30	6295142	Stop Button		1
31	6295143	Start Button		1
32	6294810	Scale		1
33	6294811	I.D Label	3HP	1
33	6294811A	I.D Label	5HP	1
34	6295146	Warning Label		1
35	6295147	Name Plate		1
37	TS-0720081	Lock Washer	5/16"	1
38	2415-138	Upper Blade Wheel		1
39	6295208	Ball Bearing	6205	2
40	2013-140	Retaining Ring	Ø 52	2
41	2013-141	Transformer (not shown)		1

# Saw Body Assembly (2013 and 2415)

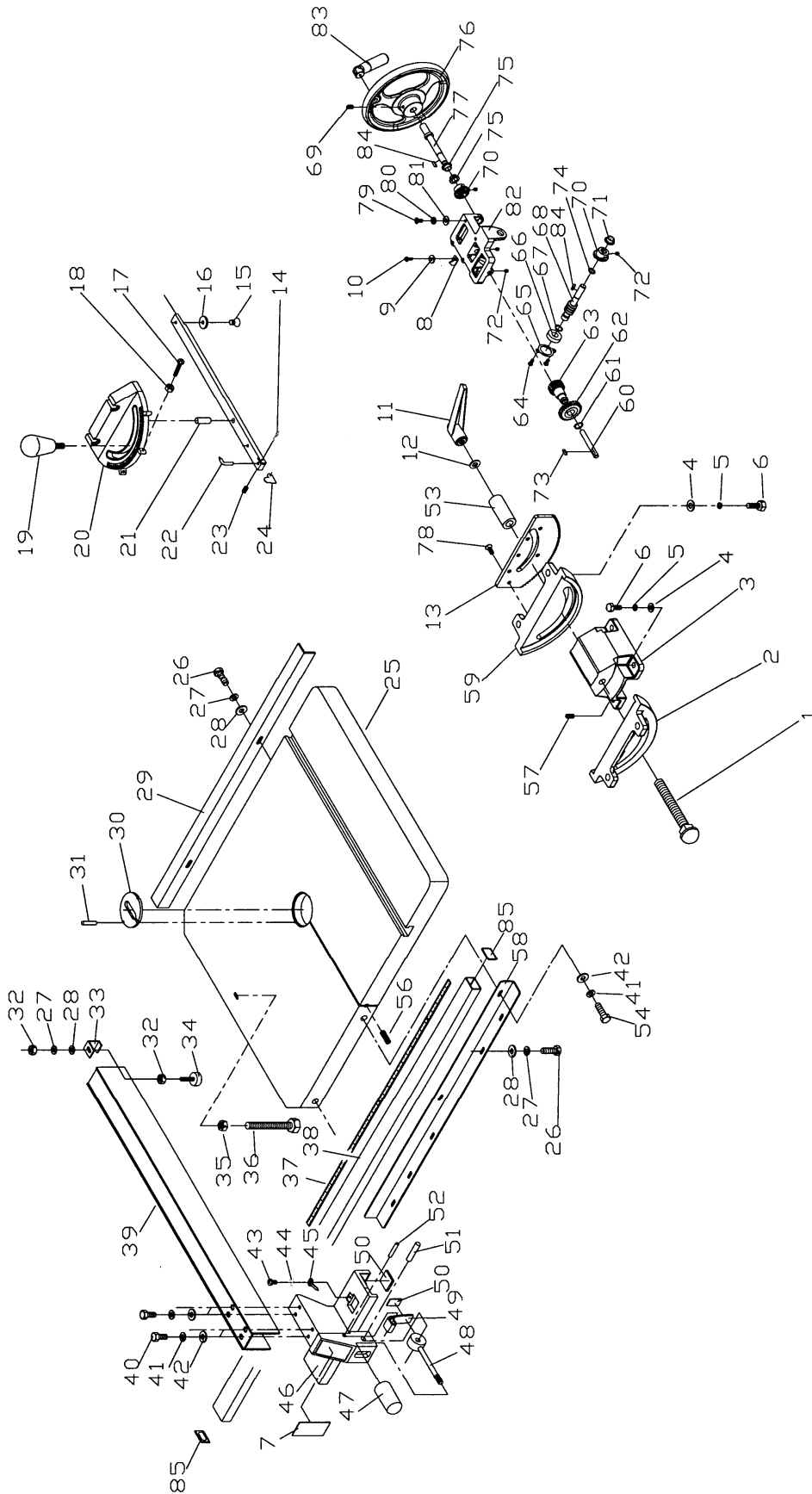


## Parts List: Table Assembly (2415 Band Saw)

Index No.	Part No.	Description	Size	Qty
1	2013-201	Carriage Bolt	1/2-12x9"	1
2	6295149	Trunnion (Left Side)		1
3	2013-203	Table Bracket		1
4	TS-0680041	Flat Washer	3/8"	8
5	TS-0720091	Lock Washer	3/8"	8
6	TS-0060061	Hex Cap Screw	3/8"-16x1-1/4"	8
7	6295154	Name Plate		1
8	6295155	Pointer		1
9	TS-0720051	Lock Washer	#10	1
10	TS-081C022	Phillips Pan Head Machine Screw	#10-24x3/8"	1
11	6295158	Locking Handle		1
12	TS-0680061	Flat Washer	1/2"	1
13	2013-213	Angle Scale Plate		1
	6295328	Miter Gauge Assembly (Items 14 thru 24)		1
14	6295161	Pin		1
15	6295162	Flat Head Screw	1/4"	1
16	6295163	Guard Disc		1
17	TS-1533062	Phillips Pan Head Machine Screw	M5x20	3
18	TS-1540031	Nut	M5	3
19	6295166	Knob		1
20	6295167	Miter Gauge Body		1
21	6295168	Pin		1
22	6295169	Pointer		1
23	TS-1521011	Socket Set Screw	M4x4	1
24	6295171	Stop Block		1
25	6294836	Work Table		1
26	TS-0050021	Hex Cap Screw	1/4"-20x5/8"	9
	6294842	Fence Assembly (Items 7, 27, 28, 32, 33, 34, 39 thru 52)		1
27	TS-0720071	Lock Washer	1/4"	10
28	TS-0680021	Flat Washer	1/4"	10
29	6294837	Rear Rail		1
30	6295177	Table Insert		1
31	6295178	Spring Pin	Ø3x10	2
32	TS-0561011	Hex Nut	1/4"-20	2
33	6295180	Rear Hook		1
34	6295181	Sliding Pad		1
35	TS-0570031	Hex Nut	3/8"-16	1
36	TS-0060171	Hex Cap Screw	3/8"-16x4"	1
37	6294838	Scale		1
38	6294839	Guide Rail		1
39	6294840	Fence		1
40	TS-0081031	Hex Cap Screw	5/16"-18x3/4"	4
41	TS-0720081	Lock Washer	5/16"	4
42	TS-0680031	Flat Washer	5/16"	4
43	TS-0810012	Screw	#10-24x1/4"	1
44	TS-0733031	External Tooth Lock Washer	#10	1
45	6295193	Pointer		1
46	6295194	Fence Body		1
47	6295195	Knob		1
48	6295196	Lock Handle		1
49	6295197	Lock Plate		1
50	6295198	Pad		2
51	6295199	Pin		1
52	6295200	Pin		1

Index No.	Part No.	Description	Size	Qty
53	2013-253	Bushing		1
54	TS-0051061	Hex Cap Screw	5/16"-18x1-1/4"	2
56	TS-0270051	Socket Set Screw	5/16"-18x1/2"	1
57	TS-0270061	Socket Set Screw	5/16"-18x5/8"	4
58	6294841	Front Rail		1
59	2013-259	Trunnion (Right Side)		1
60	2013-260	Shaft		1
61	2013-261	C-Ring	S-17	1
62	2013-262	Gear		1
63	2013-263	Worm Gear		1
64	TS-081F032	Phillips Pan Head Machine Screw	1/4"-20X1/2"	2
65	2013-265	Worm Gear Cap		1
66	BB-6002	Ball Bearing	6002	1
67	2013-267	C-Ring	S-15	1
68	2013-268	Worm Shaft		1
69	TS-0270051	Socket Set Screw	5/16"-18X1/2"	2
70	2013-270	Bevel Gear		2
71	2013-271	Bushing		1
72	TS-0267021	Socket Set Screw	1/4"-20x1/4"	6
73	2013-273	Key	5x5x12	1
74	2013-274	C-Ring	S-13	1
75	2012-275	Bushing		2
76	2013-276	Handwheel Assembly		1
77	2013-277	Shaft		1
78	TS-0246031	Flat Head Socket Screw	5/16"-18x3/4"	6
79	TS-0255031	Button Head Socket Screw	5/16"-18x5/8"	4
80	TS-0720081	Lock Washer	5/16"	4
81	TS-0680031	Flat Washer	5/16"	4
82	2013-282	Gear Bracket		1
83	2013-283	Handle		1
84	2013-284	Key	3x3x8	2
85	2013-285	End Cover		2

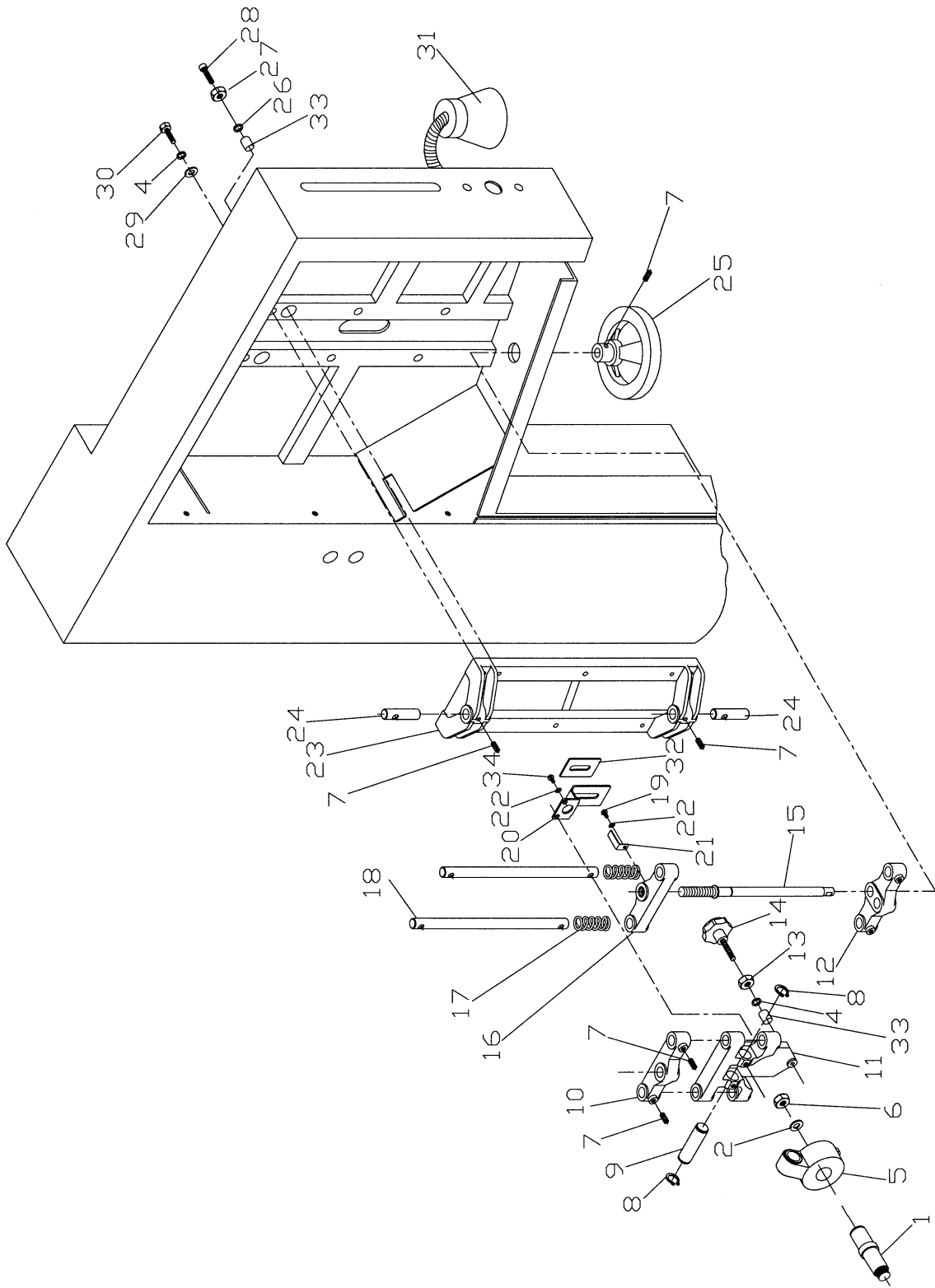
# Table Assembly (2013 and 2415)



## Parts List: Upper Wheel Base Assembly (2415 Band Saw)

Index No.	Part No.	Description	Size	Qty
1	2013-301	Upper Wheel Shaft <i>(for 2415, serial #05022415369 and higher)</i>		1
	6295889	Upper Wheel Shaft <i>(for 2415-1, serial #01062415017 to 05022415368)</i> <i>(for 2415-3, serial #01062415011 to 05022415368)</i>		1
2	TS-0680091	Flat Washer	3/4"	1
4	TS-0720091	Lock Washer	3/8"	8
5	2013-305	Upper Wheel Shaft Bracket		1
6	6295890	Lock Nut	3/4"-16 UNF	1
7	TS-0270051	Socket Set Screw	5/16"-18x1/2"	5
8	6295213	C-Ring	S-20	2
9	6295214	Lever Shaft		1
10	6295215	Upper Adjustment Bracket		1
11	6295891	Upper Wheel Guide Bracket		1
12	6295217	Adjustment Bracket		1
13	TS-0640091	Nylon Lock Hex Nut	3/8"-16	1
14	6295219	Lock Knob		1
15	6294812	Adjustment Screw		1
16	6295221	Elevator Bracket		1
17	6294813	Spring		2
18	6294814	Guide Bar		2
19	TS-0810012	Screw	#10-24x1/4"	1
20	6294815	Bracket		1
21	6295226	Pointer		1
22	TS-0720051	Lock Washer	#10	3
23	6294816	Upper Wheel Bracket Base		1
24	6295228	Bracket Shaft		2
25	6295229	Handwheel		1
26	TS-0720081	Lock Washer	5/16"	2
27	TS-0640081	Nylon Insert Lock Nut	5/16"-18	2
28	TS-0208121	Socket Head Cap Screw	5/16"-18 x 2-1/2"	2
29	TS-0680041	Flat Washer	3/8"	4
30	TS-0060081	Hex Cap Screw	3/8"-16x1-3/4"	6
31	2013-331	Work Lamp	115V	1
32	6294818	Scale (Blade tension)		1
33	2013-333	Bushing		3
34	TS-081C022	Phillips Pan Head Machine Screw	#10-24x3/8"	2

# Upper Wheel Base Assembly (2013 and 2415)



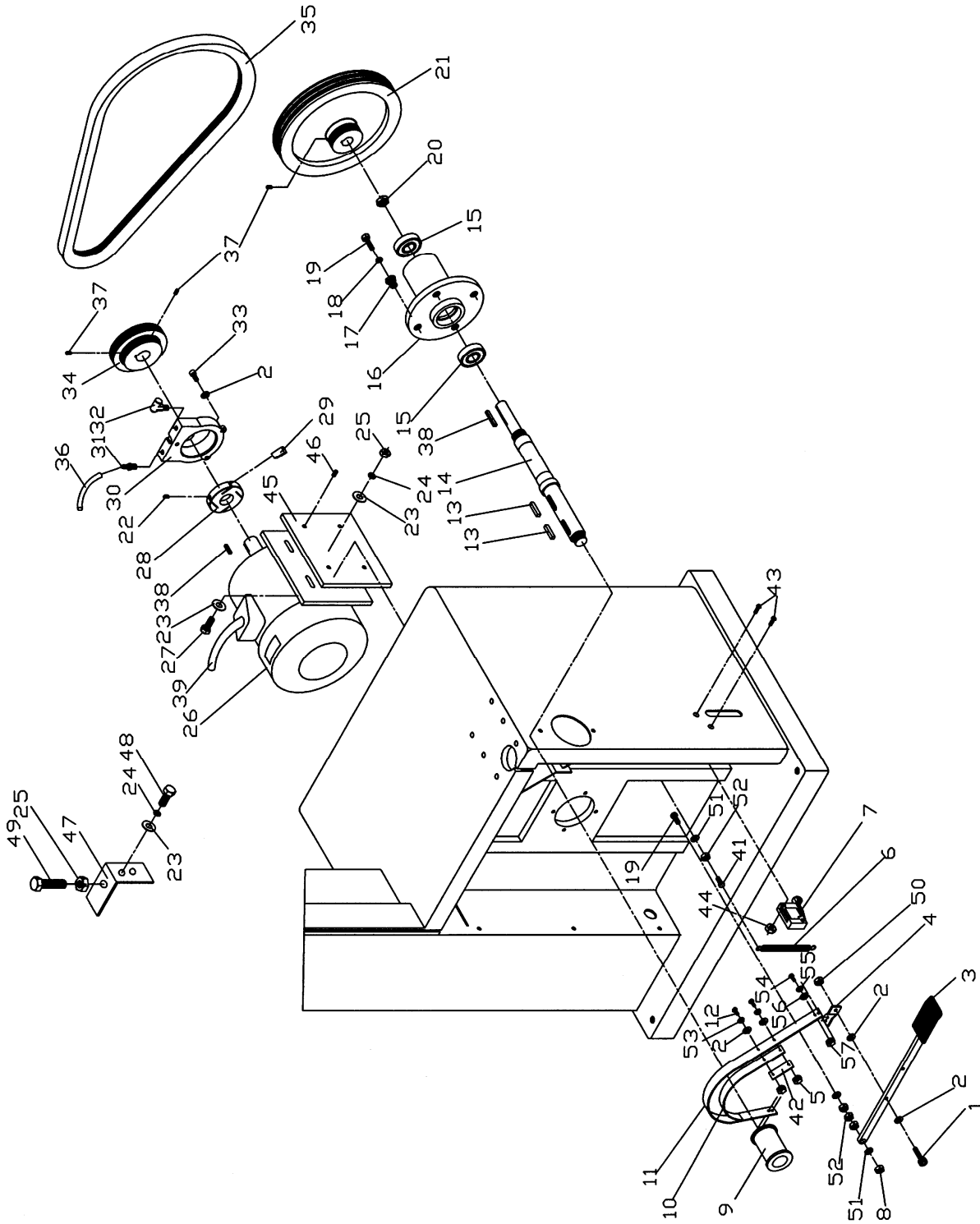
## Parts List: Lower Wheel Base Assembly (2415 Band Saw)

Index No.	Part No.	Description	Size	Qty
1	TS-0207061	Socket Head Cap Screw	1/4"-20x1"	1
2	TS-0680021	Flat Washer	1/4"	5
3	6294819	Brake Pedal		1
4	6295239	Brake Bracket		2
5	TS-0561011	Hex Nut	1/4"-20	9
6	6295241	Spring		1
7	6295242	Brake Switch		1
8	TS-0640091	Nylon Insert Lock Nut	3/8"-16	1
9	6295243A	Brake Wheel		1
10	6294820	Brake Belt		1
11	6294821	Brake Band		1
12	TS-0050031	Hex Cap Screw	1/4"-20x3/4"	4
13	6295247	Key	7x7x25	2
14	6295248A	Shaft		1
15	6295249	Ball Bearing	6206	2
16	6295250	Bearing Base		1
17	6295251	Adjusting Screw		4
18	TS-0720091	Lock Washer	3/8"	4
19	TS-0060091	Hex Cap Screw	3/8"-16x2"	5
20	6295253	Hex Nut	M28	1
21	6294822A	Spindle Pulley (serial # 08082415835 and higher)		1
	6294822	Spindle Pulley (serial # 08082415834 and lower)		1
22	TS-0267041	Socket Set Screw	1/4"-20x3/8"	2
23	TS-0680031	Flat Washer	5/16"	10
24	TS-0720081	Lock Washer	5/16"	6
25	TS-0561021	Hex Nut	5/16"-18	5
26	2415-426	Motor	3HP, 1Ph	1
	2013-426SC	Starting Capacitor	500MFD, 125VAC	1
	2415-426RC	Running Capacitor	40µF, 250VAC	1
	2415-426A	Motor	5HP, 3Ph	1
27	TS-0208081	Socket Head Cap Screw	5/16"-18x1-1/2"	4
28	6295258	Core		1
29	6295259	Core Piece		4
30	6295260	Fan Cover		1
31	6295261	Hose Connector		1
32	6295262	Air Input Valve		1
33	TS-0207041	Socket Head Cap Screw	1/4"-20x3/4"	3
34	6294825A	Motor Pulley (serial # 08082415835 and higher)		1
	6294825	Motor Pulley (serial # 08082415834 and lower)		1
35	6294826	Belt	540J	1
36	6294827	Hose		1
37	TS-0270031	Socket Set Screw	5/16"-18x3/8"	4
38	6295268	Key	7x7x40	2
39	6295269	Motor Cord	1Ph	1
	6294828	Motor Cord	3Ph	1
41	TS-0060091	Hex Cap Screw	3/8"-16x2"	1
42	6295272	Plate		2
43	TS-2284302	Phillips Pan Head Machine Screw	M4x30	2
44	TS-1540021	Hex Nut	M4	2
45	6294830	Motor Plate		1
46	TS-0270031	Socket Set Screw	5/16"-18x3/8"	4
47	6294832	Belt Tension Bracket		1
48	TS-0051021	Hex Cap Screw	5/16"-18x5/8"	2
49	TS-0051111	Hex Cap Screw	5/16"-18x2-1/2"	1
50	TS-0640071	Nylon Lock Hex Nut	1/4"-20	2
51	TS-0680041	Flat Washer	3/8"	2



<b>Index No.</b>	<b>Part No.</b>	<b>Description</b>	<b>Size</b>	<b>Qty</b>
52.....	TS-0561031 .....	Hex Nut.....	3/8"-16.....	4
53.....	TS-0720071 .....	Lock Washer .....	1/4".....	4
54.....	TS-081C032 .....	Screw .....	#10-24x1/2".....	4
55.....	TS-0720051 .....	Lock Washer .....	#10.....	4
56.....	TS-069204 .....	Flat Washer.....	#10.....	4
57.....	TS-0560071 .....	Hex Nut.....	#10-24.....	4

# Lower Wheel Base Assembly (2013 and 2415)

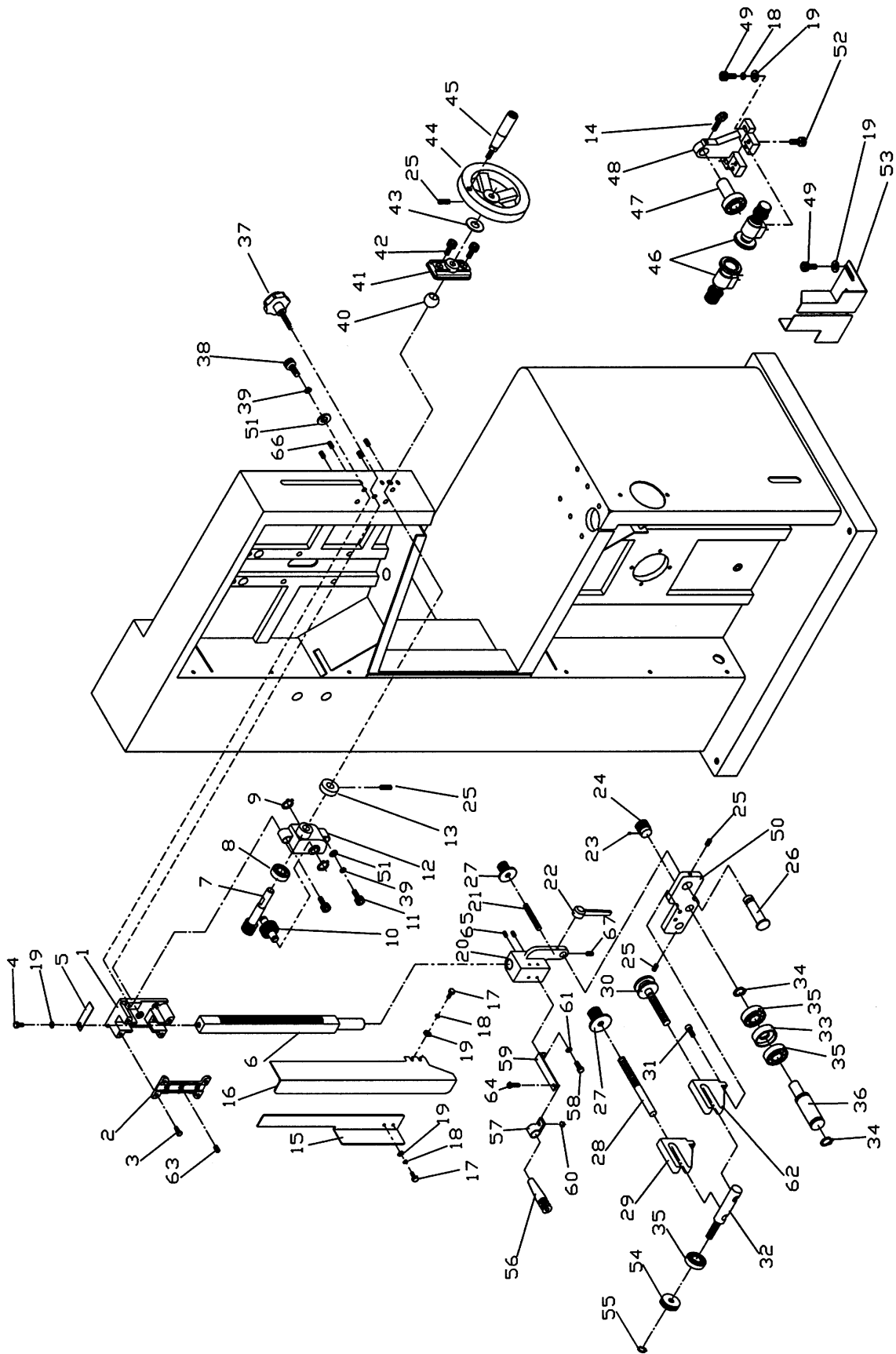


## Parts List: Guide Bracket Assembly (2415 Band Saw)

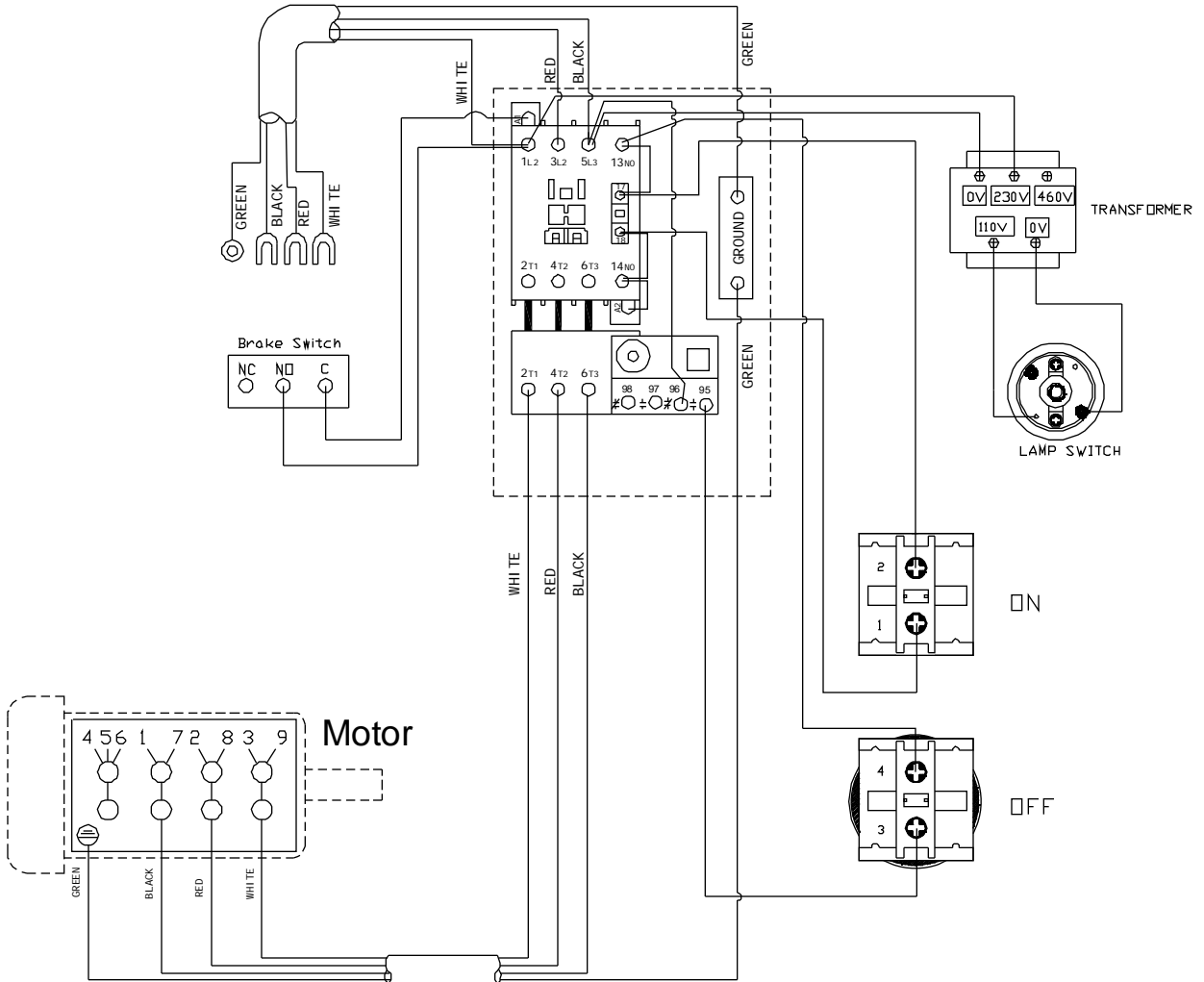
Index No.	Part No.	Description	Size	Qty
1	6295275	Guide Bar Case Bracket		1
2	6295276	Cover		1
3	TS-0081031	Hex Cap Screw	5/16"-18x3/4"	4
4	TS-0050011	Hex Cap Screw	1/4"-20x1/2"	1
5	6295278	Pointer		1
6	6294835	Guide Bar		1
7	6295280	Worm		1
8	6295281	Miniature Ball Bearing	609	1
9	6295282	C-Ring	S-12	2
10	6295283	Gear		1
11	TS-0208071	Socket Head Cap Screw	5/16"-18x1-1/4"	6
12	6295285	Gear Base		1
13	6295286	Set Block		1
14	6295287	Thumb Screw	1/4"-20x1/4"	1
15	6295288	Inner Blade Guard		1
16	6295289	Blade Guard		1
17	TS-0050021	Hex Cap Screw	1/4"-20x5/8"	4
18	TS-0720071	Lock Washer	1/4"	4
19	TS-0680021	Flat Washer	1/4"	7
20	6295291	Guide Bar Bracket		1
21	TS-0270131	Socket Set Screw	5/16"-18x2"	1
22	6295293	Locking Handle	1/4"x3/4"	1
23	TS-1521011	Socket Set Screw	M4x4	4
24	6295294	Knob		2
25	TS-0267021	Socket Set Screw	1/4"-20x1/4"	6
26	6295296	Lever Shaft		1
27	6295297	Hand Nut		2
28	6295298	Bolt		1
29	6295299	Support Bearing Bracket (L)		1
30	6295300	Adjustment Bolt		1
31	TS-0207041	Socket Head Cap Screw	1/4"-20x3/4"	2
32	6295302	Support Bearing Shaft		1
33	6295303	Spacer		2
34	6295304	C-Ring	S-15	4
35	6295305	Ball Bearing	6202	5
36	6295306	Shaft		2
37	6295307	Knob	3/8"-16x2"	1
38	TS-0208071	Socket Head Cap Screw	5/16"-18x1-1/4"	4
39	TS-0720081	Lock Washer	5/16"	6
40	6295308	Ball Bearing		1
41	6295309	Bracket		1
42	TS-0208041	Socket Head Cap Screw	5/16"-18x3/4"	2
43	6295311	Plastic Washer		1
44	6295312	Handwheel		1
45	6295313	Handle		1
46	6295314	Guide Wheel Assembly		1
47	6295315	Blade Support Shaft w/Bearing		1
48	6295316	Lower Guide Bracket		1
49	TS-0050051	Hex Cap Screw	1/4"-20x1"	2
50	6295318	Bracket		1
51	TS-0680031	Flat Washer	5/16"	4
52	TS-0207021	Socket Head Cap Screw	1/4"-20x1/2"	4
53	6295320	Lower Blade Guard		1
54	6295321	Locking Nut		1

Index No.	Part No.	Description	Size	Qty
55	6295322	C-Ring	E-5	1
56	6295323	Air Nozzle		1
57	6295324	Hose Clamp		1
58	TS-081C022	Screw	#10-24x3/8"	1
59	6295325	Bracket		1
60	TS-0560071	Hex Nut	#10-24	1
61	TS-069204	Flat Washer	#10	1
62	6295327	Support Bearing Shaft (R)		1
63	TS-0270031	Socket Set Screw	5/16"-18x3/8"	3
64	TS-081C032	Phillips Pan Head Machine Screw	#10-24x1/2"	1
65	TS-0270051	Socket Set Screw	5/16"-18x1/2"	4
66	TS-0267041	Socket Set Screw	1/4"-20x3/8"	4
67	2013-567	Eccentric Set Screw		1

# Guide Bracket Assembly (2013 and 2415)



# Magnetic Switch



# Magnetic Switch

