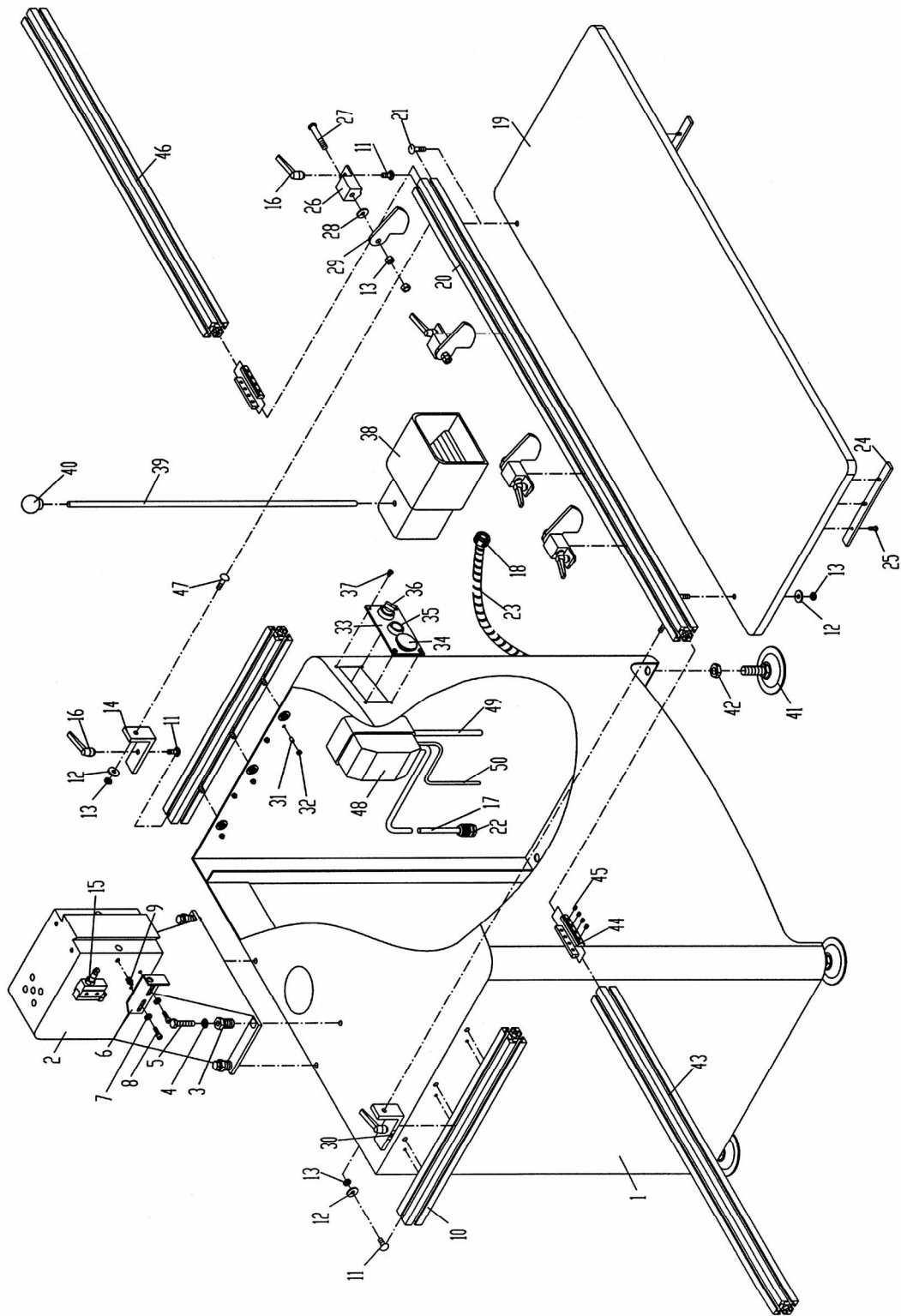


## Parts List: Frame Assembly

Index No.	Part No.	Description	Size	Qty
1	LBM21-101	Machine Frame		1
2	LBM21-102	Head Frame		1
3	LBM21-103	Adjustable Bushing		4
4	TS-2361101	Lock Washer	M10	4
5	CBM21-406	Hex Cap Screw (Full Thread)	M10 x 45	4
6	LBM21-106	Bracket		1
7	TS-0680021	Flat Washer	1/4"	2
8	TS-1503041	Socket Head Cap Screw	M6 x 16	2
9	LBM21-109	Grease Fitting		2
10	LBM21-110	Fence Mount Rail		2
11	LBM21-111	Carriage Bolt	M8 x 20	12
12	TS-0680031	Flat Washer	5/16"	10
13	TS-1540061	Hex Nut	M8	18
14	LBM21-114	Dovetailed Slide		2
15	CBM21-431	Limit Switch		1
16	LBM21-116	Locking Handle	M8	6
17	LBM21-117	Motor Cord (switch to motor)		1
18	CBM21-149	Strain Relief		2
19	LBM21-119	Working Table		1
20	LBM21-120	Fence		1
21	LBM21-121	Carriage Bolt	M8 x 30	2
22	CBM21-156	Strain Relief		1
23	CBM21-148	Protective Hose		1
24	LBM21-124	Linear Guide Rail		2
25	LBM21-125	Tap Screw	M4 x 20	6
26	LBM21-126	Stop Block Body		4
27	LBM21-127	Special Bolt		4
28	TS-0680041	Flat Washer	3/8"	4
29	LBM21-129	Stop Plate		4
30	LBM21-130	Scale		1
31	TS-1523031	Socket Set Screw	M6 x 10	10
32	TS-1540041	Hex Nut	M6	10
33	LBM21-133	Panel		1
34	LBM21-134	Emergency Stop Button		1
35	LBM21-135	Power Indicator		1
36	LBM21-136	Start Switch		1
37	TS-1533032	Machine Screw	M5 x 10	4
38	CBM21-136	Foot Switch Box		1
39	CBM21-137	Rod		1
40	CBM21-138	Knob		1
41	LBM21-141	Foot Pad		4
42	TS-0561071	Hex Nut	5/8"-11UNC	4
43	LBM21-143	Extended Fence, Left		1
44	LBM21-144	Connecting Block		4
45	TS-2276081	Socket Set Screw	M6 x 8	16
46	LBM21-146	Extended Fence, Right		1
47	LBM21-147	Carriage Bolt	M8 x 25	2
48	CBM21-152	Magnetic Switch		1
49	LBM21-149	Power Cord		1
50	LBM21-150	Limit Switch Cord (switch to limit switch)		1
51	3312341	Powermatic Label (not shown)		1
52	COS18-242	Warning Label (not shown)		1

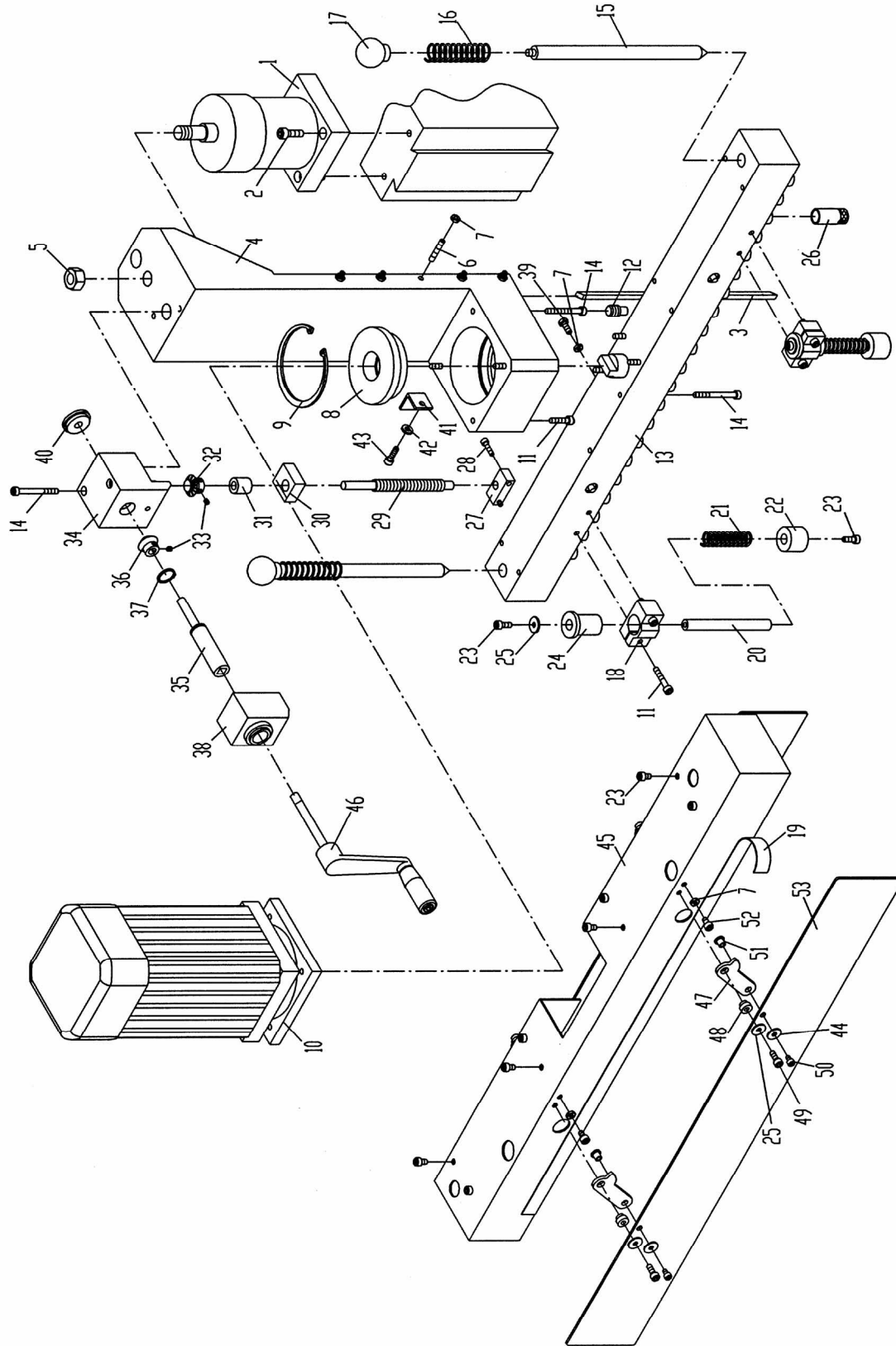
# Frame Assembly



## Parts List: Headstock Assembly

Index No.	Part No.	Description	Size	Qty
1	LBM21-201	Cylinder		1
2	TS-1504051	Socket Head Cap Screw	M8 x 25	2
3	LBM21-203	Gib		1
4	LBM21-204	Motor Holder		1
5	LBM21-205	Special Hex Nut		1
6	LBM21-206	Socket Set Screw	M6 x 35	5
7	TS-1540041	Hex Nut	M6	11
8	LBM21-208	Collar		1
9	LBM21-209	C Ring	R95	1
10	LBM21-210	Motor, TEFC	2.5HP, 1Ph, 230V	1
	LBM21-210MFC	Motor Fan Cover		1
11	TS-1503081	Socket Head Cap Screw	M6 x 35	7
12	LBM21-212	Special Screw Rod		2
13	LBM21-213	Boring Head		1
14	TS-1503131	Socket Head Cap Screw	M6 x 60	7
15	LBM21-215	Index Pin Rod		2
16	LBM21-216	Spring		2
17	LBM21-217	Index Pin Knob		2
18	LBM21-218	Hold Down Base		2
19	LBM21-219	Label, Bit Rotation		2
20	LBM21-220	Hold Down Rod		2
21	LBM21-221	Spring		2
22	LBM21-222	Block		2
23	TS-1503031	Socket Head Cap Screw	M6 x 12	12
24	LBM21-224	Bushing		2
25	TS-0680021	Flat Washer	1/4"	6
26	CBM21-543	Quick Chuck		21
27	LBM21-227	Switch Base		1
28	TS-2284202	Phillips Pan Head Machine Screw	M4 x 20	2
29	LBM21-229	Elevating Screw		1
30	LBM21-230	Block		1
31	LBM21-231	Collar		1
32	LBM21-232	Bevel Gear		1
33	TS-1522011	Socket Set Screw	M5 x 6	4
34	LBM21-234	Gear Box		1
35	LBM21-235	Shaft		1
36	LBM21-236	Bevel Gear		1
37	LBM21-237	C Ring	S20	1
38	LBM21-238	Readout		1
39	TS-1482031	Hex Cap Screw	M6 x 16	2
40	LBM21-240	Plug		1
41	LBM21-241	Bracket		1
42	TS-0680031	Flat Washer	5/16"	1
43	TS-1503041	Socket Head Cap Screw	M6 x 16	1
44	TS-0680021	Flat Washer	1/4"	2
45	LBM21-245	Safety Guard		1
46	LBM21-246	Crank Handle		1
47	LBM21-247	Arm		2
48	LBM21-248	Collar		2
49	TS-1503041	Socket Head Cap Screw	M6 x 16	2
50	TS-1502021	Socket Head Cap Screw	M5 x 10	2
51	LBM21-251	Spacer		2
52	TS-1503021	Socket Head Cap Screw	M6 x 10	2
53	LBM21-253	PC Cover		1
54	LBM21-WLH	Warning Label, Keep Hands Out (not shown)		2

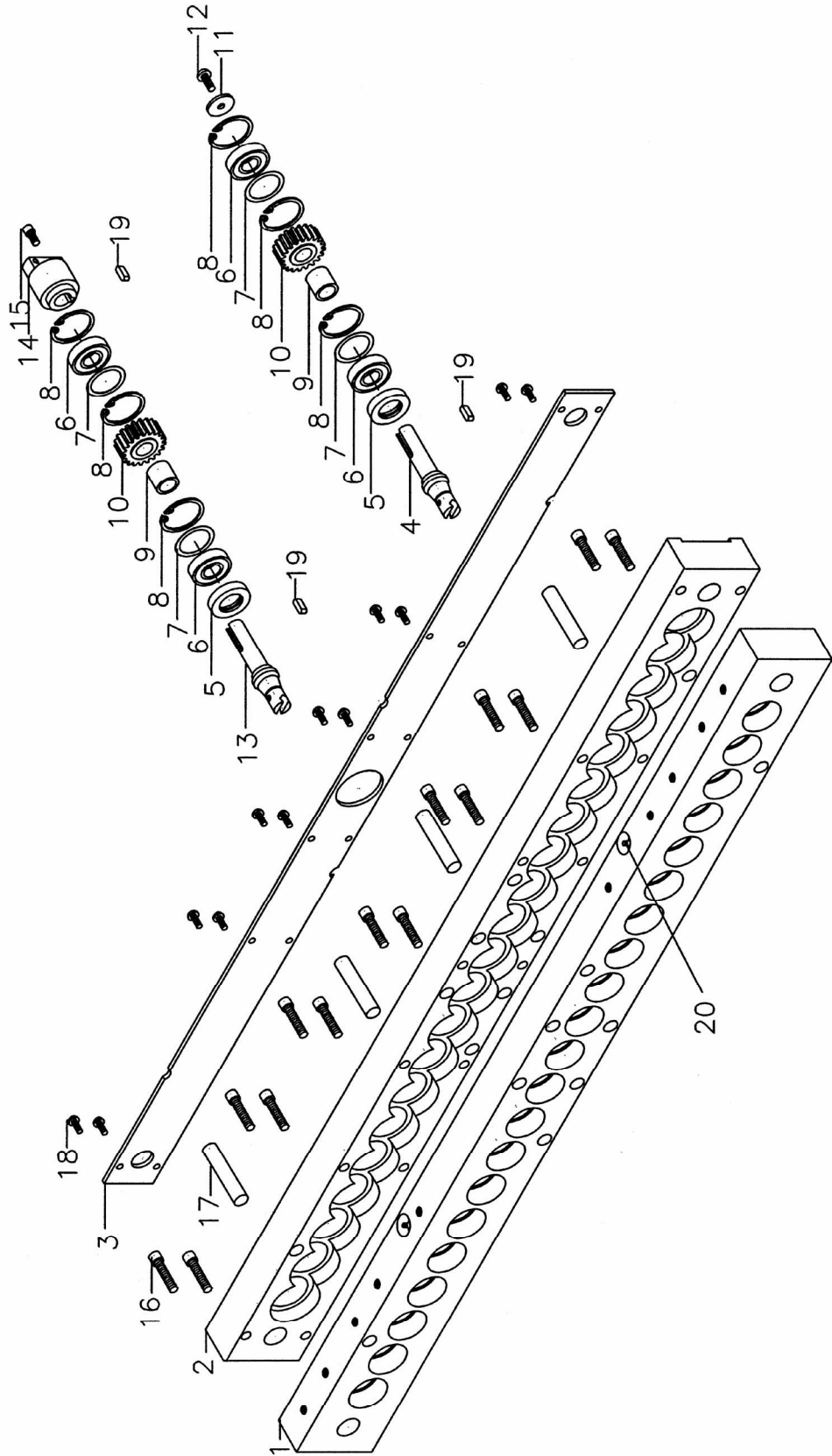
# Headstock Assembly



## Parts List: Boring Head Assembly

Index No.	Part No.	Description	Size	Qty
1	LBM21-301	Bottom Gear Box		1
2	LBM21-302	Top Gear Box		1
3	LBM21-303	Gear Box Cover		1
4	CBM21-204	Spindle		20
5	CBM21-205	Oil Seal		21
6	BB-6001ZZ	Ball Bearing	6001ZZ	42
7	CBM21-207	Special Caulking Ring		42
8	CBM21-208	C Ring	R28	63
9	CBM21-209	Bushing		21
10	CBM21-210	Gear		21
11	CBM21-211	Special Caulking Ring		20
12	TS-1513021	Socket Head Flat Screw	M5 X 12	20
13	LBM21-313	Main Spindle		1
14	LBM21-314	Transmission Shaft		1
15	TS-1502041	Socket Head Cap Screw	M5 X 16	1
16	TS-1503071	Socket Head Cap Screw	M6 X 30	14
17	CBM21-217	Pin	Ø10 X 50	4
18	TS-1512021	Socket Head Flat Screw	M4 X 12	12
19	CBM21-219	Key	4 X 12	22
20	CBM21-222	Grease Fitting	1/16	2

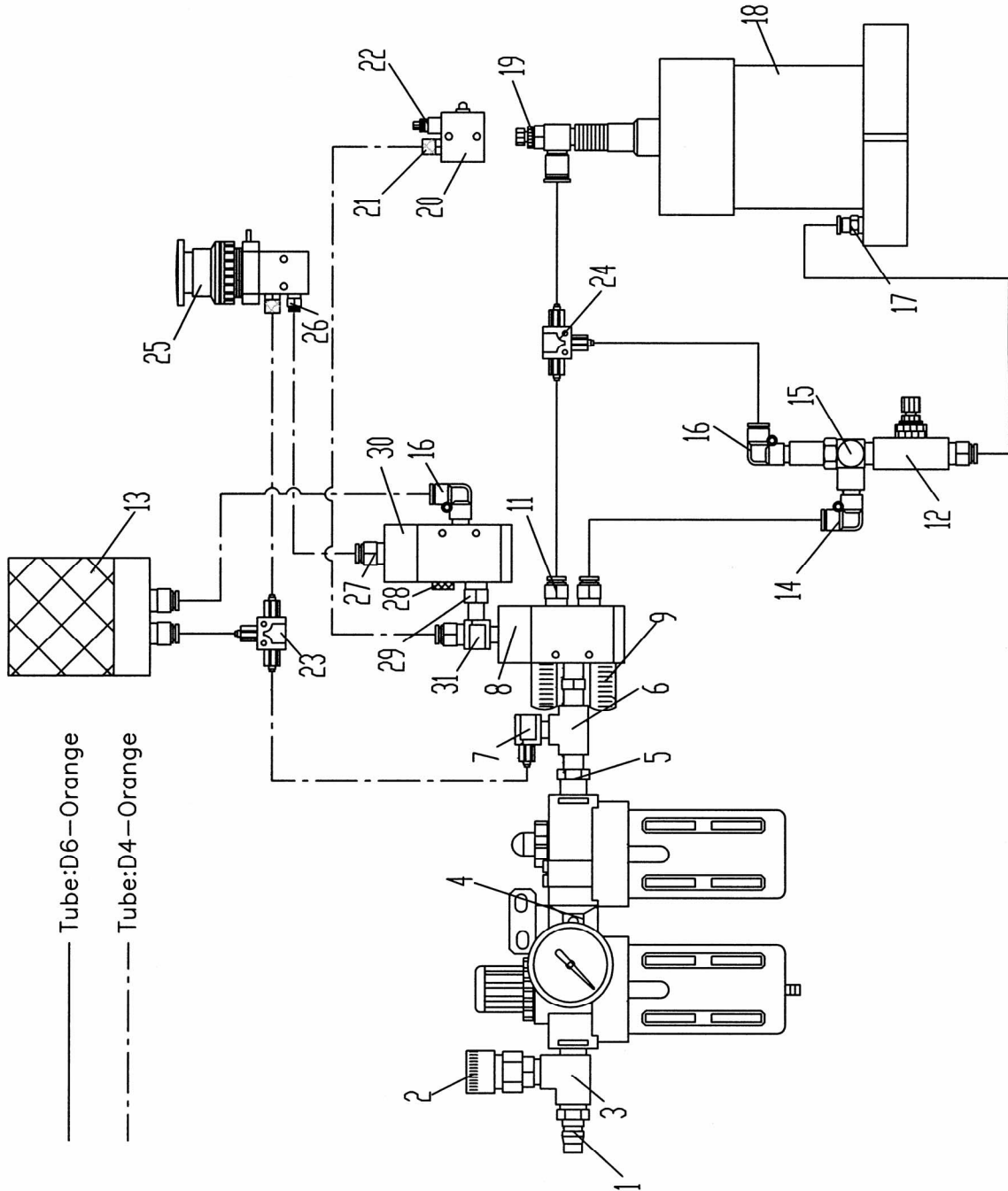
# Boring Head Assembly



## Parts List: Pneumatic Diagram

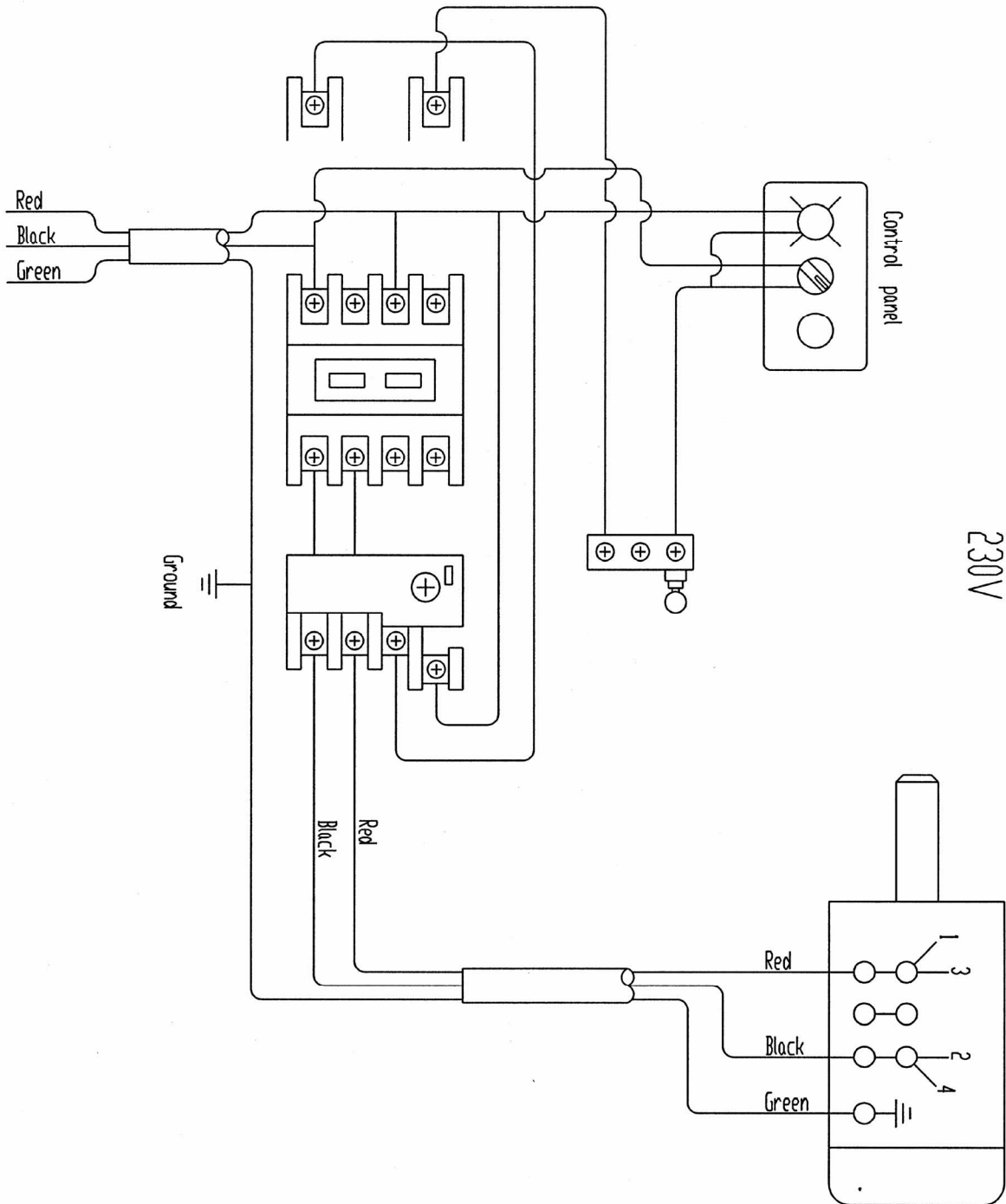
Index No.	Part No.	Description	Size	Qty
1	CBM21-601	Quick Fitting		1
2	CBM21-603	Quick Fitting		1
3	CBM21-602	Connection Block		1
4	CBM21-604	F.R.L. Unit		1
5	CBM21-605	Jointer	3/8" x 1/4"	1
6	CBM21-612	Connection Block	1/4"	1
7	CBM21-606	Tube Fitting (L type)	1/4 x Ø4	1
8	CBM21-609	Connector		1
9	CBM21-610	Silencer	1/8"	2
10	CBM21-611	Tube Fitting (L type)	1/8" x Ø4	1
11	CBM21-613	Quick Tube Fitting (I type)	1/4" x Ø6	3
12	LBM21-412	Air Regulator	1/4"	1
13	CBM21-617	Pedal Switch		1
14	CBM21-628	Quick Tube Fitting (L type)	1/4" x Ø6	1
15	LBM21-415	Valve	1/4"	1
16	LBM21-416	Quick Tube Fitting (L type)	Ø5 x Ø6	1
17	LBM21-417	Copper Tube Fitting (I type)	1/8" x Ø6	1
18	LBM21-201	Cylinder		
19	LBM21-419	Air Regulator With Quick Tube Fitting	1/8" x Ø6	1
20	CBM21-623	Limit Switch		1
21	CBM21-618	Golden Tube Fitting (I type)	Ø5 x Ø4	2
22	CBM21-625	Air Regulator	Ø5	1
23	CBM21-622	Tube Fitting (T type)	Ø4 x Ø4 x Ø4	1
24	LBM21-424	Tube Fitting (T type)	Ø6 x Ø6 x Ø6	1
25	LBM21-134	Emergency Stop Button	Ø5	
26	CBM21-632	Quick Tube Fitting (I type)	Ø5 x Ø4	1
27	CBM21-635	Quick Tube Fitting (I type)	1/8" x Ø4	4
28	CBM21-634	Special Screw	1/8"	1
29	LBM21-429	Jointer	1/8" x 1/8"	1
30	CBM21-636	Connector	1/8"	1
31	LBM21-431	Connection Block	1/8"	1

# Pneumatic Diagram





# Electrical Connections



**POWERMATIC®**

WMH Tool Group  
2420 Vantage Drive  
Elgin, Illinois 60123  
Phone: 800-274-6848  
www.wmhtoolgroup.com